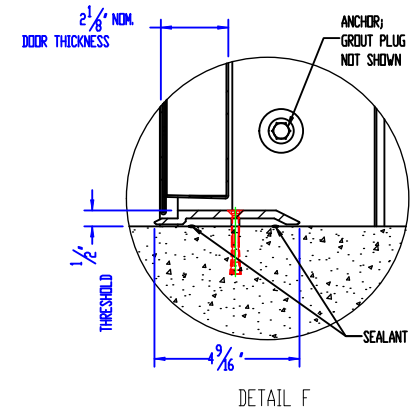
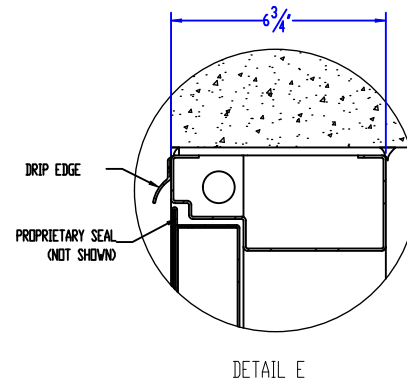
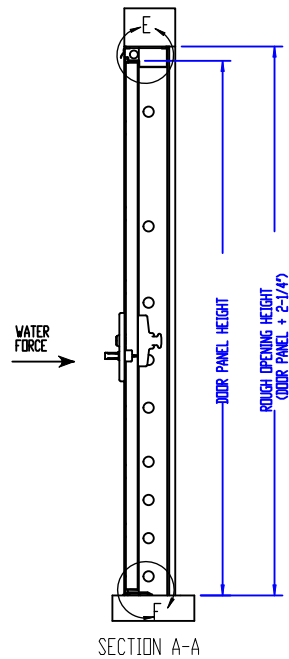
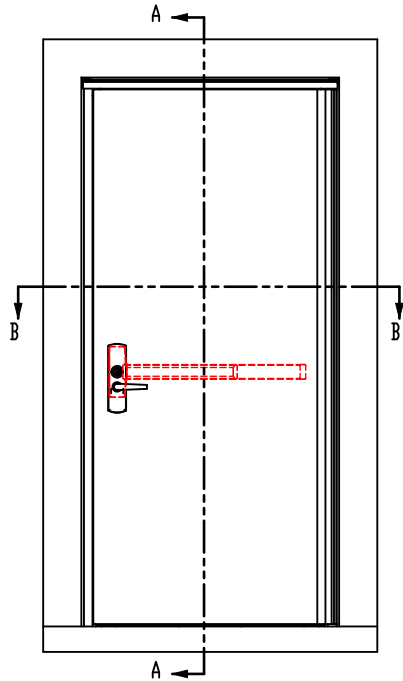
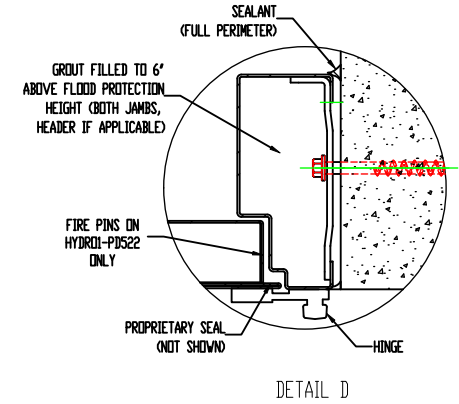
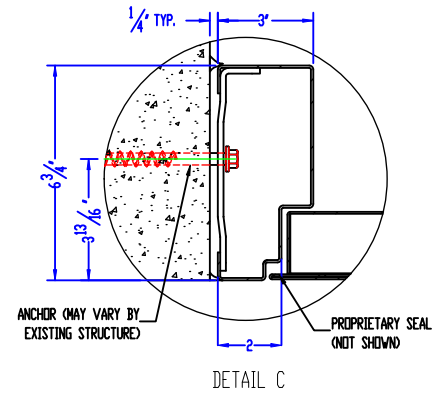
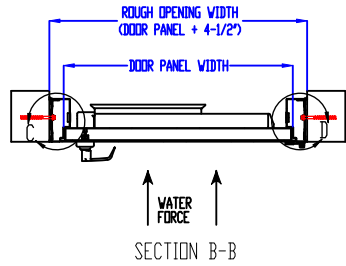


MODEL: HYDR01-PD520, HYDR01-PD522, HYDR01-PD525



PROPRIETARY AND CONFIDENTIAL DRAWINGS ARE EXCLUSIVE PROPERTY OF PS INDUSTRIES INCORPORATED AND CANNOT BE USED IN WHOLE OR PART WITHOUT WRITTEN CONSENT ©2020 PS INDUSTRIES INCORPORATED ALL RIGHTS RESERVED

REFERENCE DRAWING - NOT FOR CONSTRUCTION

1 LOCATION AND QUANTITY OF ANCHORS TBD BASED ON LOADING	QTY: 1
2 DESIGN SHOWN REQUIRES STRUCTURE TO BE A MINIMUM OF 8" GROUT FILLED CMU OR 3000 PSI CIP; CONTACT PS INDUSTRIES FOR DEVIATIONS	DATE: 6/26/2020
3 STANDARD LATCHING HARDWARE; PD520/PD522 - VON DUPRIN 98L US28/996L R&V (FIRE RATED FOR PD522); PD525 - PS FLOOD BARRIERS 2 POINT WEDGE LATCH	SCALE: NTS
4 FLOOD LOADS ON DOOR ASSEMBLY ARE TRANSFERRED TO BUILDING STRUCTURE	DWG BY: stuhl
	CHECKED: /

PS INDUSTRIES
INCORPORATED

1150 48TH ST S
GRAND FORKS, ND 58201
PH. 701-746-4519
FAX 701-746-8340

SHEET # 1 OF 1 A