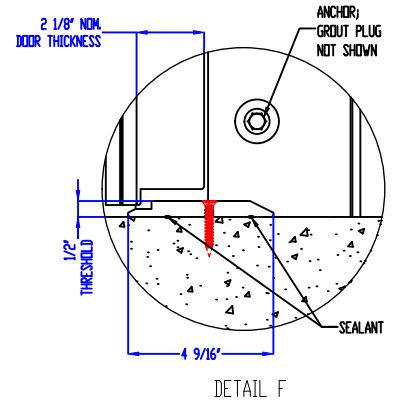
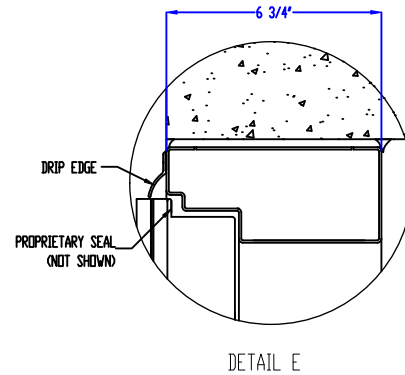
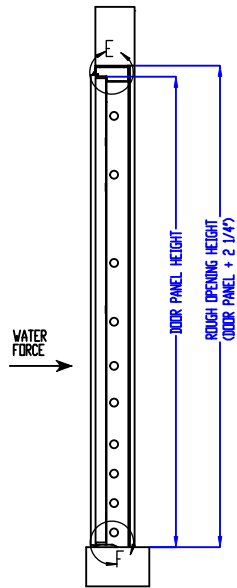
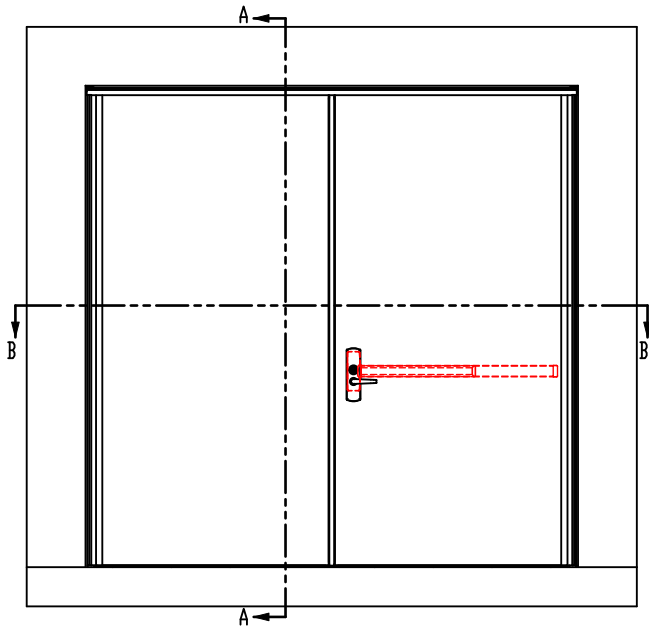
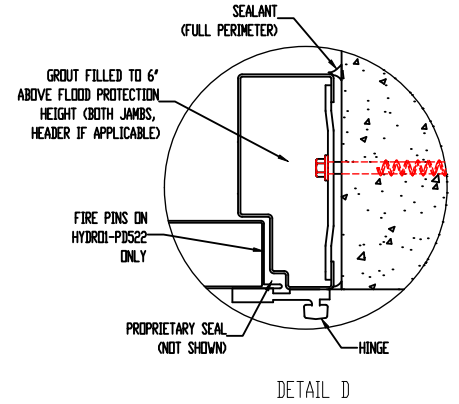
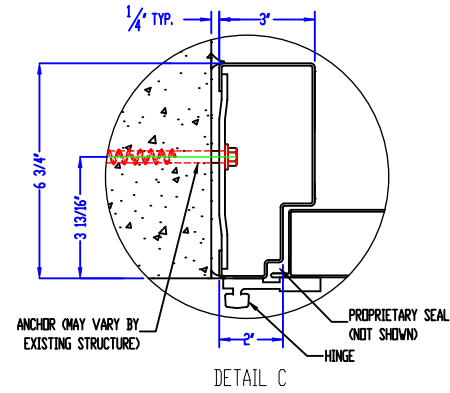
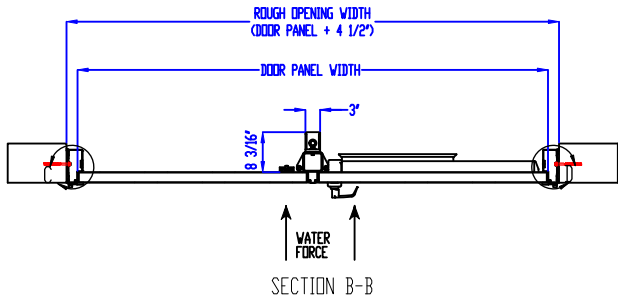


MODEL: HYDR01-PD520, HYDR01-PD522, HYDR01-PD525



SECTION A-A

PROPRIETARY AND CONFIDENTIAL DRAWINGS ARE EXCLUSIVE PROPERTY OF PS INDUSTRIES INCORPORATED AND CANNOT BE USED IN WHOLE OR PART WITHOUT WRITTEN CONSENT  
 © 2020 PS INDUSTRIES INCORPORATED ALL RIGHTS RESERVED

REFERENCE DRAWING - NOT FOR CONSTRUCTION

|   |                  |
|---|------------------|
| 1 LOCATION AND QUANTITY OF ANCHORS TBD BASED ON LOADING   | QTY:             |
| 2 DESIGN SHOWN REQUIRES STRUCTURE TO BE A MINIMUM OF 8\"/>  |                  |
| 3 STANDARD LATCHING HARDWARE; HYDR01-PD520/PD522 - VON DUPRIN 98L US28/996L R&V (PD522); HYDR01-PD525 - PS FLOOD BARRIERS 2 POINT WEDGE LATCH | DATE: 12/10/2020 |
| 4 FLOOD LOADS ON DOOR ASSEMBLY ARE TRANSFERRED TO BUILDING STRUCTURE  | SCALE: NTS       |
|   | DWG BY: sbuhl    |
|   | CHECKED: /       |

**PS INDUSTRIES**  
 INCORPORATED  
 1150 48TH ST S  
 GRAND FORKS, ND 58201  
 PH: 701-746-4519  
 FAX: 701-746-8340

SHEET # 1 OF 1