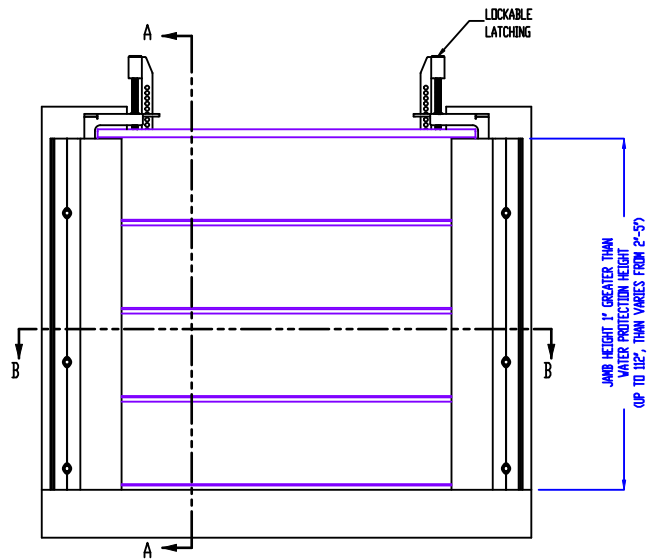
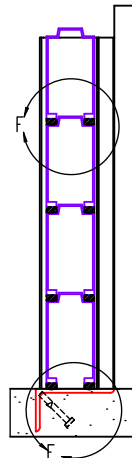


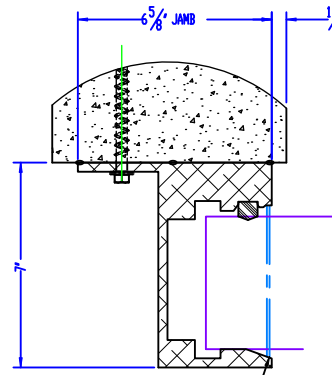
SECTION B-B



WATER FORCE

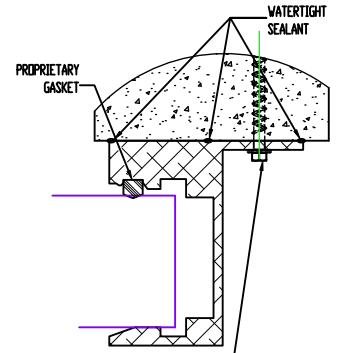


SECTION A-A



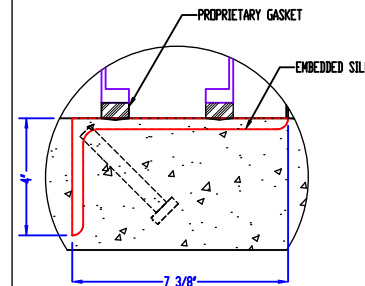
REMOVABLE JAMB COVERS
(TYP. BOTH SIDES)
INSTALLED WHEN PLANKS ARE REMOVED

DETAIL C
JAMB DETAIL ① ② ③

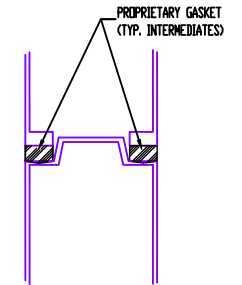


ANCHOR ONLY VARY
BY EXISTING STRUCTURE

DETAIL D
JAMB DETAIL ① ② ③



DETAIL E
SILL DETAIL ①



DETAIL F
INTERMEDIATE DETAIL

MODEL: FP-535

DOOR/OPENING NAME: FP-535 FLOOD PLANK SYSTEM - FACE MOUNT JAMB

SN: XXXXXX

SD #: XXXXXX

QTY: 1

① LOCATION AND QUANTITY OF ANCHORS TBD BASED ON LOADING

② DESIGN SHOWN REQUIRES STRUCTURE TO BE A MINIMUM OF 8" GROUT FILLED CMU OR 3000 PSI CIP, CONTACT PS INDUSTRIES FOR DEVIATIONS

③ FLOOD LOAD ON PLANK SYSTEM IS TRANSFERRED TO BUILDING STRUCTURE

④ STANDARD SILL TO BE EMBEDDED ANGLE, CONTACT PS INDUSTRIES FOR ADDITIONAL OPTIONS

DWG STATUS:

FOR REFERENCE ONLY

DWG #: FPS35 REFERENCE DWG

PROPRIETARY AND CONFIDENTIAL DRAWINGS ARE EXCLUSIVE PROPERTY OF PS INDUSTRIES INCORPORATED AND CANNOT BE USED IN WHOLE OR PART WITHOUT WRITTEN CONSENT OF PS INDUSTRIES INCORPORATED. ALL RIGHTS RESERVED.

DATE: 6/21/2019

SCALE: NTS

DWG BY: PS INDUSTRIES

CHECKED: /

PS INDUSTRIES INCORPORATED

1150 48th St. S
GRAND FORKS, ND 58201
PH: 701-746-4519
FAX: 701-746-0340

SHEET # 1 OF 1 A