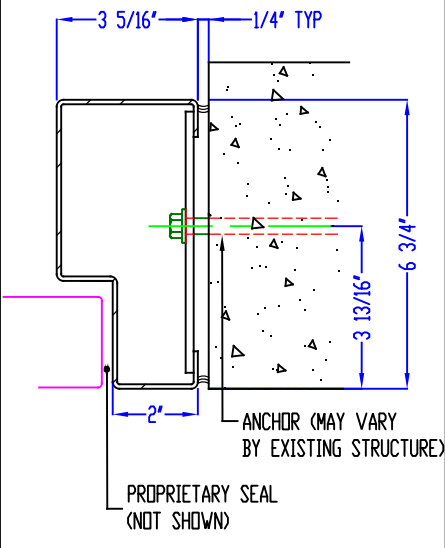
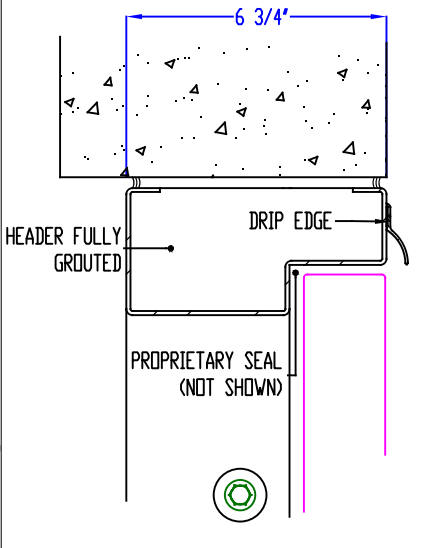


**90 MIN.**

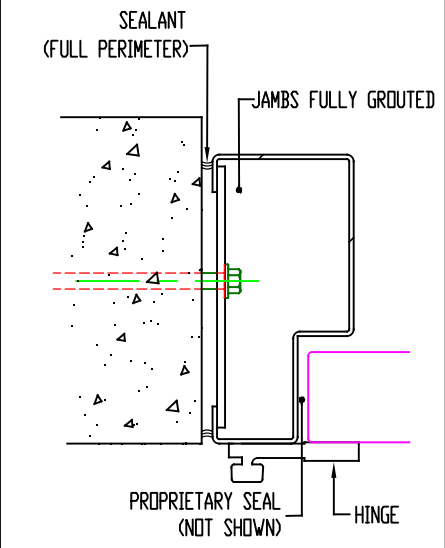
SECTION A-A



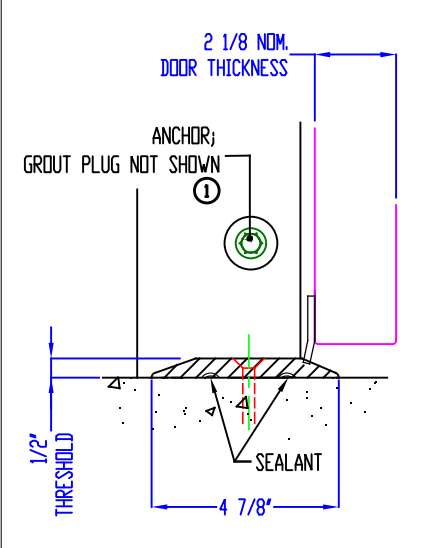
DETAIL C  
JAMB DETAIL ②④



DETAIL E  
HEAD DETAIL ②④



DETAIL D  
JAMB DETAIL ②④



DETAIL F  
SILL DETAIL

**PD-522 FIRE RATED FLOOD DOOR**

PROPRIETARY AND CONFIDENTIAL DRAWINGS ARE EXCLUSIVE PROPERTY OF PRODUCTION SPECIALTIES CORPORATION, dba PS DOORS AND CANNOT BE USED IN WHOLE OR PART WITHOUT WRITTEN CONSENT © 2017 PS DOORS ALL RIGHTS RESERVED

- ① LOCATION AND QUANTITY OF ANCHORS TBD BASED ON LOADING
- ② DESIGN SHOWN REQUIRES STRUCTURE TO BE A MINIMUM OF 8" GROUT FILLED CMU OR 3000 PSI CIP; CONTACT PS DOORS FOR DEVIATIONS
- ③ STANDARD LATCHING HARDWARE; VON DUPRIN 98L US28 /996L R&V - FIRE RATED
- ④ FLOOD LOADS ON DOOR ASSEMBLY ARE TRANSFERED TO BUILDING STRUCTURE

MODEL: PD-522  
**REFERENCE DRAWING NOT FOR CONSTRUCTION**  
 DWG BY: PS DOORS

DATE: 05/19/2017  
 SCALE: NTS  
 SHEET #: 1 OF 1  
 REV: A

**PS DOORS**  
 1150 S 48th ST  
 GRAND FORKS, ND 58201  
 PH. 701-746-4519  
 FAX 701-746-8340  
 psdoors.com