

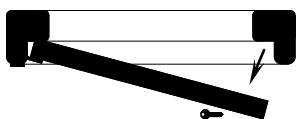
STANDARD PD-520 MEASURING GUIDE & ORDER FORM



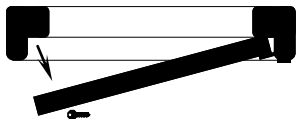
1150 S. 48TH STREET, GRAND FORKS, ND 58201
 PHONE: 701.746.4519 | TOLL FREE: 877.446.1519
 FAX: 701.746.8340 | WWW.PSINDUSTRIES.COM

SWING DIRECTION GUIDE

LHR

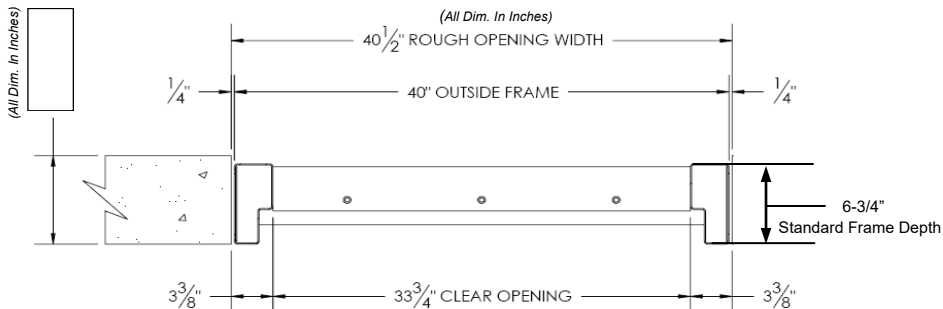
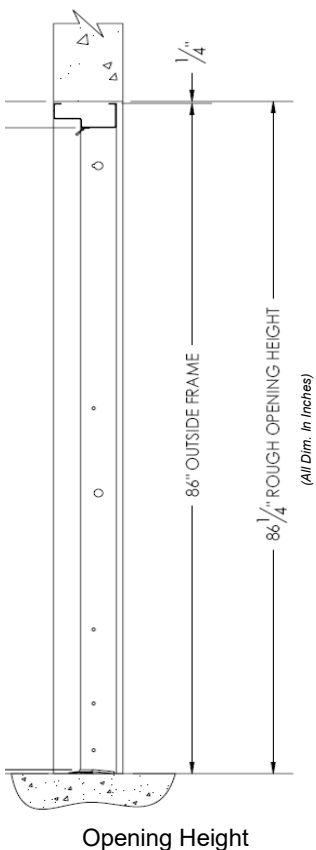
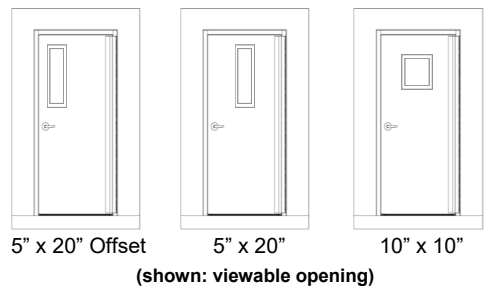


RHR



= Keyed Side of Door

Available Vision Lite Locations



QUOTATION REQUESTED PD-520 ORDER

SOLD/QUOTE TO:

Name: _____
 Company: _____
 Address: _____
 City, State, Zip: _____
 Phone: _____ Fax: _____
 E-Mail: _____

SHIP TO:

Name: _____ Date: _____
 Address: _____ P.O. #: _____
 City, State, Zip: _____ TAG: _____
 Phone: _____ SHIP VIA: _____

PROJECT NAME: _____

QUANTITY R.O. WIDTH R.O. HEIGHT: (All Dim. In Inches)

WATER PROTECTION HEIGHT REQUIRED:

MOUNTING SURFACE <input type="checkbox"/> CMU <input type="checkbox"/> CIP <input type="text"/> (Wall Thickness)	SWING DIRECTION <input type="checkbox"/> LHR <input type="checkbox"/> RHR	DOOR/FRAME MATERIAL <input checked="" type="checkbox"/> MILD STEEL
		SIL <input checked="" type="checkbox"/> LOW SILL 1/2"
LATCHING HARDWARE <input type="checkbox"/> VON DUPRIN(98 SERIES)	VISION LITES (viewable opening) <input type="checkbox"/> 10" x 10" <input type="checkbox"/> 5" x 20"	VISION LITE LOCATION <input type="checkbox"/> 10" x 10" Center <input type="checkbox"/> 5" x 20" Offset <input type="checkbox"/> 5" x 20" Center
DOOR CLOSER <input type="checkbox"/> LCN 4111 (OPTIONAL)	<input checked="" type="checkbox"/> First Coat Finish Option Sherwin-Williams Industrial Enamel Color Code: <input type="text" value="S/W # SW 4026 SLATE GRAY"/>	

FM LABEL REQUESTED: YES NO
 (Available on Specific Product Configuration, Consult PS Industries For Details)

Notes: _____