

NOTES: NOTES

1 STORAGE-HANDLING

DO NOT STORE FLOOD BARRIERS IN A MANNER THAT WILL COMPRESS GASKETS, OR THAT WILL CAUSE DAMAGE TO GASKETS.

2 INSTALLATION

REFER TO ALL MANUFACTURERS' INSTALLATION NOTES AND DRAWINGS. INSTALL PLUMB, SQUARE, AND LEVEL, INSURING CONTINUOUS AND EVEN GASKET CONTACT. DO NOT DRILL OR PENETRATE ANY SURFACES OF SHIELDS WITHOUT CONSULTING MANUFACTURER. USE ONLY FASTENERS AND SEALANT PROVIDED BY THE MANUFACTURER.

FIELD GROUT AS INDICATED ON DRAWINGS (MATERIAL AND PLACEMENT NOT BY PS DOORS). GROUT TO BE NON-METALLIC, NON-SHRINK TYPE, CAPABLE OF DEVELOPING 3000 PSI COMPRESSIVE STRENGTH, AS PLACED.

3 MAINTENANCE-INSPECTION

PERIODIC INSPECTION AND MAINTENANCE OF FLOOD BARRIER INSTALLATIONS, INCLUDING SEALANTS, GASKETS, ANCHORS, AND OPERATING HARDWARE, IS THE RESPONSIBILITY OF THE OWNER.

4 STRUCTURAL REVIEW

STRUCTURAL REVIEW OF ADJACENT STRUCTURE'S CAPACITY TO WITHSTAND ALL FLOOD BARRIER SERVICE LOADS TRANSFERRED TO STRUCTURE IS BY OTHERS (NOT PS DOORS).

FIELD CONCRETE DESIGN AT ANY EMBEDDED CONNECTION TO WITHSTAND FLOOD BARRIER SERVICE LOADS IS BY OTHERS (NOT PS DOORS).

REVIEW OF EXISTING STRUCTURE'S ABILITY TO WITHSTAND FLOOD BARRIER SERVICE LOADS TRANSFERRED BY ANCHORS IS BY OTHERS (NOT PS DOORS).

5 PERFORMANCE

FLOOD BARRIERS ARE DESIGNED TO CONTROL SHORT TERM HYDROSTATIC WATER LOADS (62.4 PCF) UP TO THE DESIGNED WATER HEIGHT NOTED ON THE DRAWINGS. NO ALLOWANCES HAVE BEEN INCLUDED TO CONTROL WAVE SURGE LOADS OR OTHER IMPACT LOADS UNLESS SPECIFICALLY DETAILED ON THE DRAWINGS. ALL LOADS ARE TRANSFERRED TO THE BUILDING STRUCTURE. ALWAYS ALLOW FOR CONTROL OF ANY LEAKAGE AND CONDENSATION THAT WILL OCCUR DURING HIGH WATER SITUATIONS.

IN APPLICATIONS WHERE THE FLOOD BARRIER GASKETS CONTACT THE EXISTING BUILDING STRUCTURE, FLOORS, ETC. ALL SURFACES MUST BE SOUND, FLAT/LEVEL AND WITHOUT BLEMISH FOR BEST PERFORMANCE.

FIELD VERIFICATION IS REQUIRED BY OTHERS (NOT PS DOORS)

- 1 ALL DIMENSIONS AND INTERFERENCES.
- 2 JAMB CONDITIONS AND STRUCTURAL CAPACITY OF STRUCTURE.
- 3 ANCHOR LOCATIONS AND MINIMUM REQ'D EDGE/END DISTANCES, SPACING, EMBEDMENT DEPTHS, AND INSTALLTION PROCEDURE SPECIFIED IN THE ANCHOR MANUFACTURER'S TECHNICAL INFORMATION MANUAL.

DESIGN CRITERIA

SAFETY FACTOR

MINIMUM 2:1 FACTOR OF SAFETY BASED ON MATERIAL YIELD STRENGTH FOR FLOOD GATE COMPONENTS, 2:1 FACTOR OF SAFETY FOR WELDS, AND MINIMUM 4:1 FACTOR OF SAFETY FOR ANCHORS.

DESIGN LOADS

(ALL LOADS TRANSFERRED TO STRUCTURE)
 - HYDROSTATIC LOADS TO ELEV. AS INDICATED ON DRAWINGS, BASED ON HYDROSTATIC WATER LOAD (62.4 PCF).

ALL ANCHOR DESIGNS ARE BASED ON ATTACHING TO MINIMUM 3000 PSI COMPRESSIVE STRENGTH CIP CONCRETE (UNLESS OTHERWISE NOTED).

MATERIALS

ALUMINUM: 5052-H32, 6005A-T5, 6061-T6, 6063-T6
MILD STEEL: ASTM A-36, ASTM A-569, ASTM A-527, ASTM A-500, ASTM A-513, ASTM A-1011 CS Type B

STAINLESS STEEL: SS304 (UNLESS OTHERWISE NOTED)

FASTENERS: ZINC PLATED (UNLESS OTHERWISE NOTED)

GASKETS: EPDM, NEOPRENE, SILICONE, OR NATURAL RUBBER

FINISHES

FABRICATED STEEL: CHEMICAL CLEAN & RINSE;
PRIMER AND INDUSTRIAL ENAMEL
 -PRIME COAT - (1) COAT OF SHERWIN WILLIAMS KEM FLASH PRIMER
 -TOP COAT - (2) COATS OF SHERWIN WILLIAMS INDUSTRIAL EMAMEL

POWDERCOAT (STEEL ONLY): POWDURA TGIC - SELECT COLOR

ALUMINUM: RAW, MILL FINISH

STAINLESS STEEL: RAW, MILL FINISH

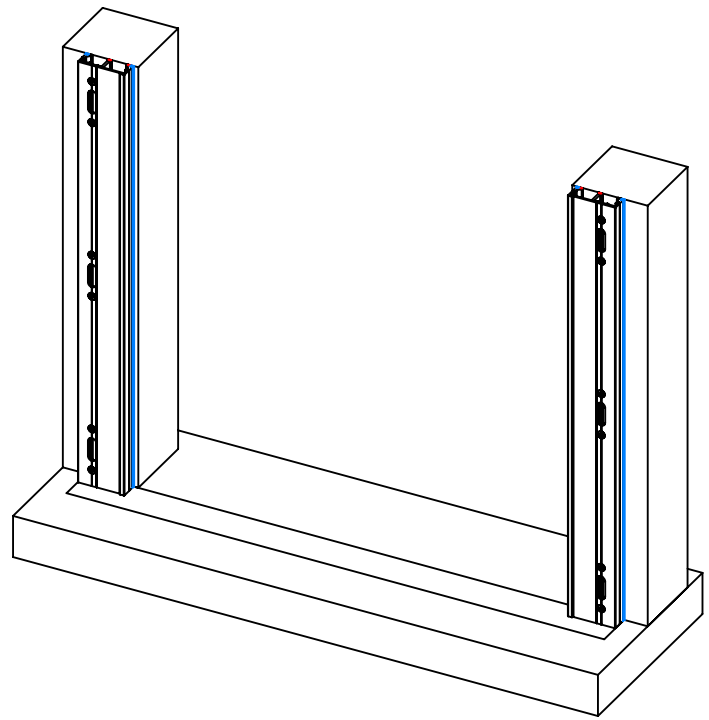
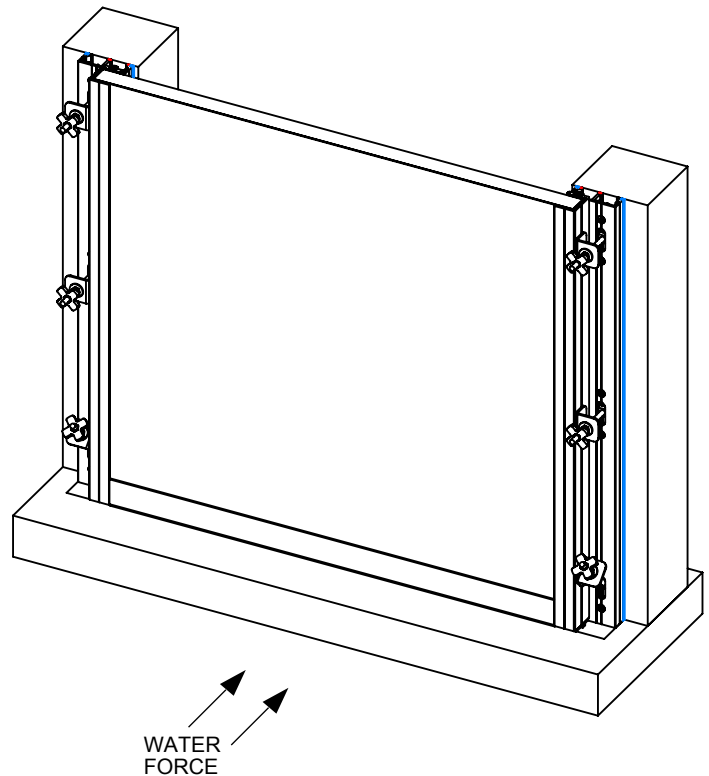
WELDS

EXPOSED, INTERFERING WELDS ARE GROUND, NOT FILLED OR POLISHED

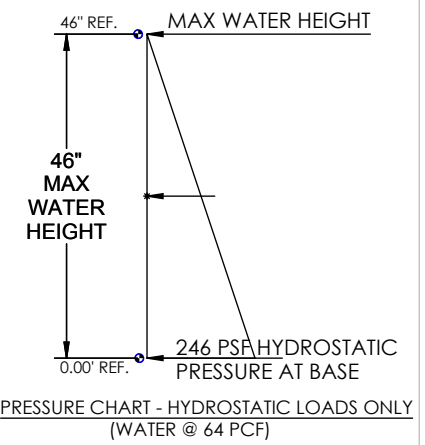
FACTORY WELDS:

ALUMINUM; ELECTRODE ER4043
 MILD STEEL; ELECTRODE ER70S-6
 STAINLESS STEEL; ER308LSi, ER316LSi, ER317L

FIELD WELDS: ELECTRODE E70-SERIES (FOR MILD STEEL). ALL WELDING SHALL BE PERFORMED IN ACCORDANCE WITH THE REQUIREMENTS OF THE APPLICABLE AWS OR ASME STANDARDS.

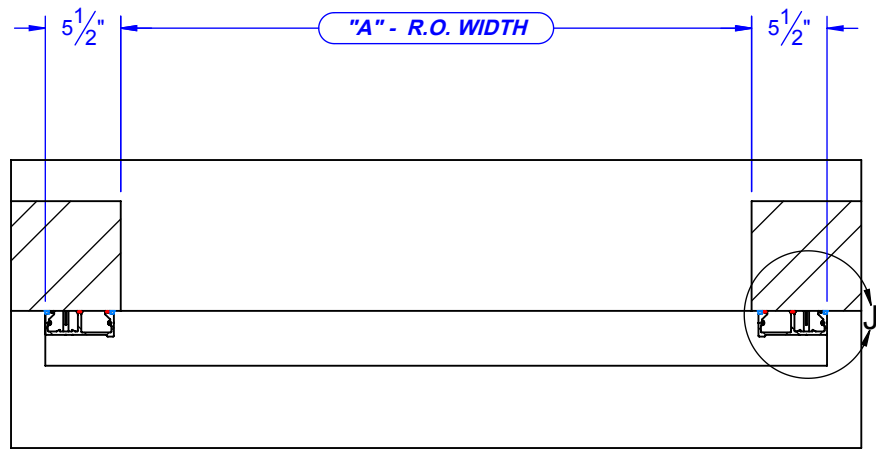


B.O.M. IS FOR QTY - 1				
ITEM NO.	PART NO.	DESCRIPTION	Qty	U/M
1	JAMB-1-WEB MODEL	FLD;LO JAMB EXTRUSION	2	EA
2	SILL ASSY-WEB MODEL	FLD;LO EMBEDDED SILL ASSY MS	1	EA
3	PANEL-WEB MODEL	LO;PANEL ASSY	1	EA
4	502647	BOLT;HEX1/4"20X1 1/4GR5ZN	4	EA
5	510604	FLD;1/2" TEE BOLT COMP LATCH	2	EA
6	510604	FLD;1/2" TEE BOLT COMP LATCH	4	EA
7	500085	ANCHOR;FLPHPSLV 3/8"X5"ZN	12	EA
8	509809	SEALANT; POLYURETHANE, GRAY	2	EA
9	500507	SEALANT SWELL PASTE TYPEE 10OZ	1	EA

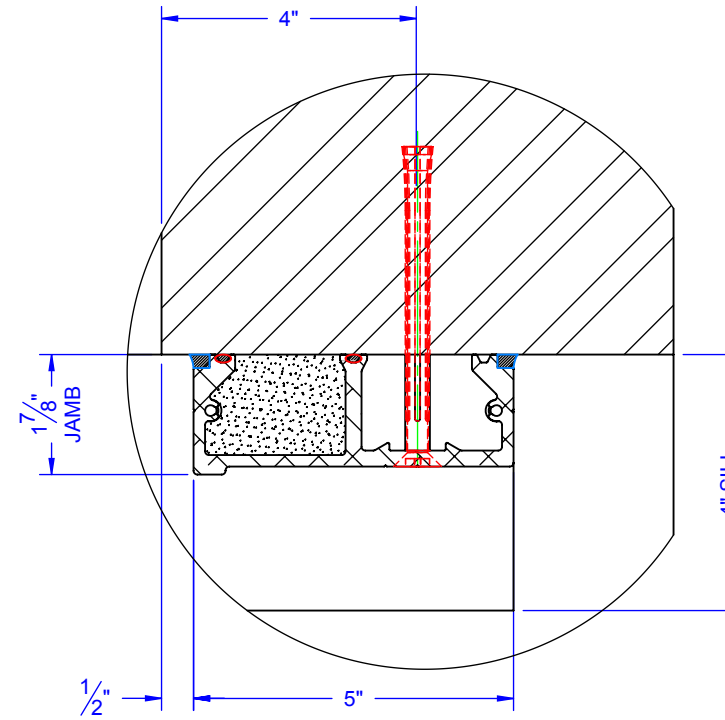


\\W2k3server\h2\G2\G2\G2\Satrom\Misc Sales Marketing Reqs\LO-510\GEN-WEB MODEL - 9/7/2012

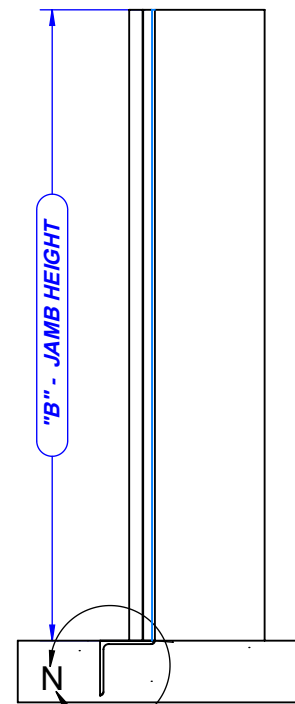
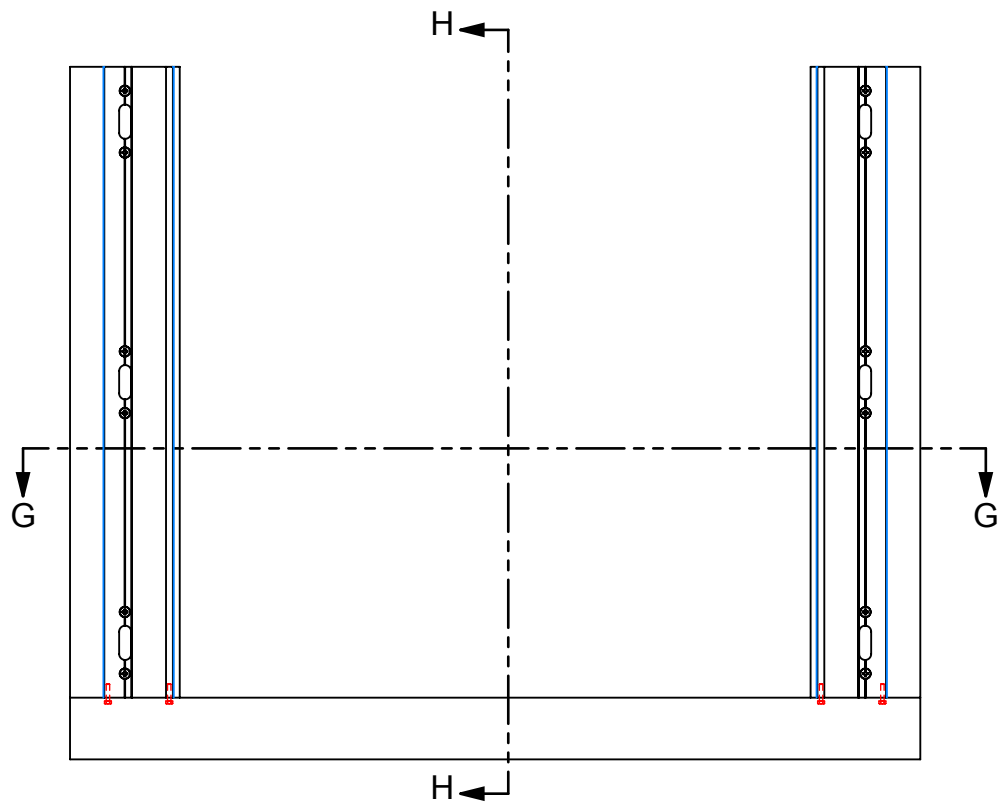
REV.	REVISIONS	DATE	REVISED BY	<p style="font-size: small; text-align: center;">PROPRIETARY AND CONFIDENTIAL DRAWINGS ARE EXCLUSIVE PROPERTY OF PRODUCTION SPECIALTIES CORPORATION PS DOORS AND CANNOT BE USED IN WHOLE OR PART WITHOUT WRITTEN CONSENT. © 2012 PS DOORS ALL RIGHTS RESERVED</p>	DOOR/OPENING NAME:	SN:	SALES ORDER #:	QTY:	<p style="text-align: center;">PS DOORS MANUFACTURING DIVISION</p> <p style="font-size: x-small; text-align: center;">1150 48th St. S GRAND FORKS, ND 58201 PH. 701-746-4519 FAX 701-746-8340</p>
				PRODUCT: LO-510	DWG STATUS: REFERENCE DRAWING - NOT FOR CONSTRUCTION			DATE: 9/7/2012	
				CUSTOMER:				SCALE: NTS	
				CUST PO #:	DWG #: GEN-WEB MODEL				
				SALES ORDER NAME:	DWG BY: gsatrom	CHECKED: GS / 8-3-12			
								SHEET # 1 OF 3	REV: A+



SECTION G-G
SCALE 1 : 14

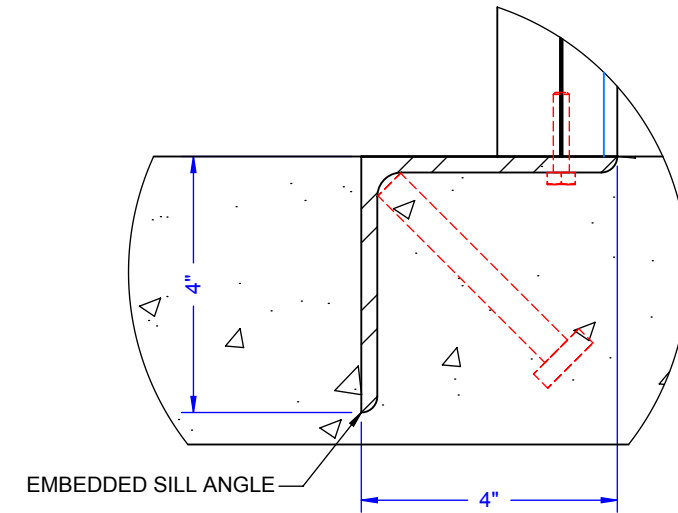


DETAIL J
SCALE 1 : 3



SECTION H-H
SCALE 1 : 14

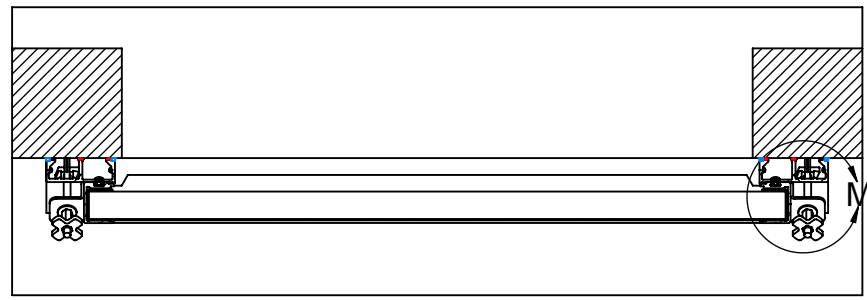
WATER FORCE →



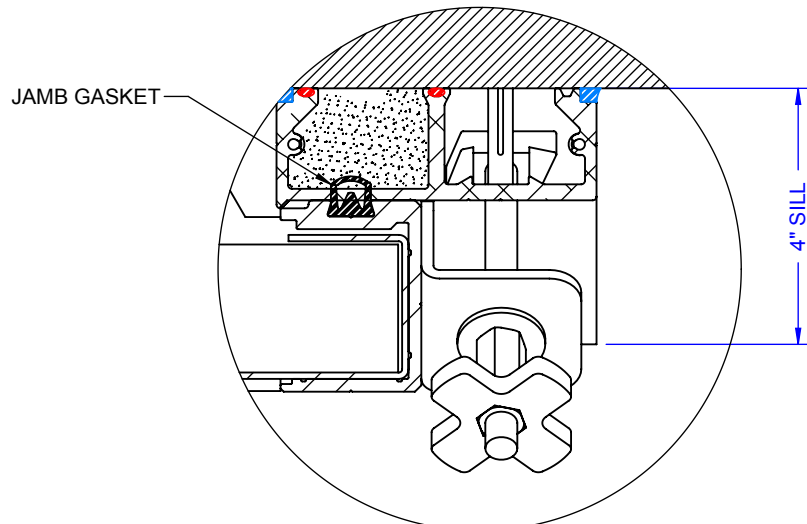
DETAIL N
SCALE 1 : 3

\\w2k3server\h2g\Satom\Misc Sales Marketing Reqs\LO-510\GEN-WEB MODEL - 9/7/2012

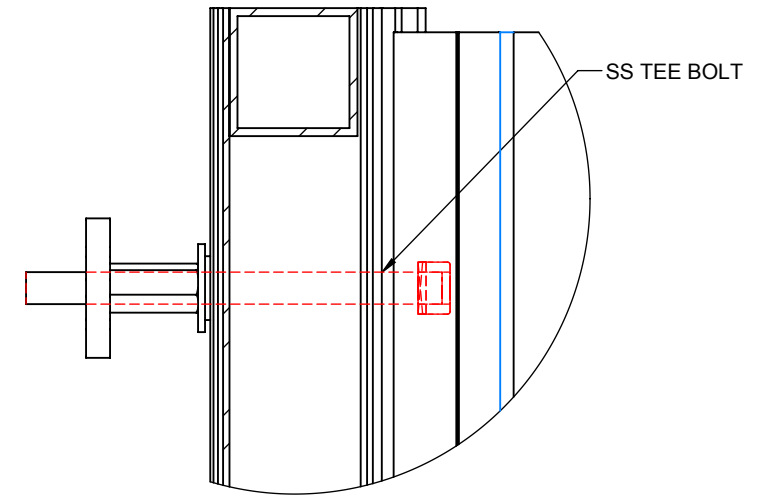
REV.	REVISIONS	DATE	REVISED BY	PROPRIETARY AND CONFIDENTIAL DRAWINGS ARE EXCLUSIVE PROPERTY OF PRODUCTION SPECIALTIES CORPORATION PS DOORS AND CANNOT BE USED IN WHOLE OR PART WITHOUT WRITTEN CONSENT. © 2012 PS DOORS ALL RIGHTS RESERVED	DOOR/OPENING NAME:	SN:	SALES ORDER #:	QTY:	 1150 48th St. S GRAND FORKS, ND 58201 PH. 701-746-4519 FAX 701-746-8340
					PRODUCT: LO-510	DWG STATUS: REFERENCE DRAWING - NOT FOR CONSTRUCTION		DATE: 9/7/2012	
					CUSTOMER:	DWG #: GEN-WEB MODEL		SCALE: NTS	
					CUST PO #:	DWG BY: gsatom	CHECKED: GS / 8-3-12		
					SALES ORDER NAME:			SHEET # 2 OF 3 REV: A+	



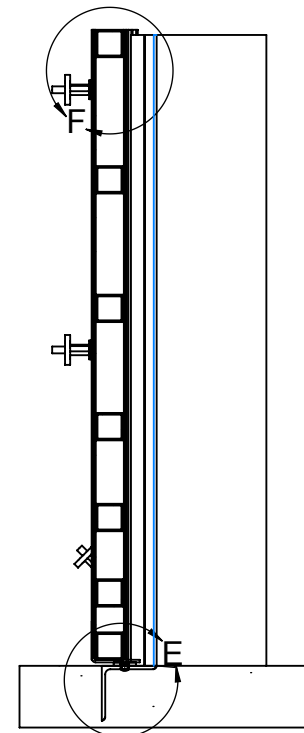
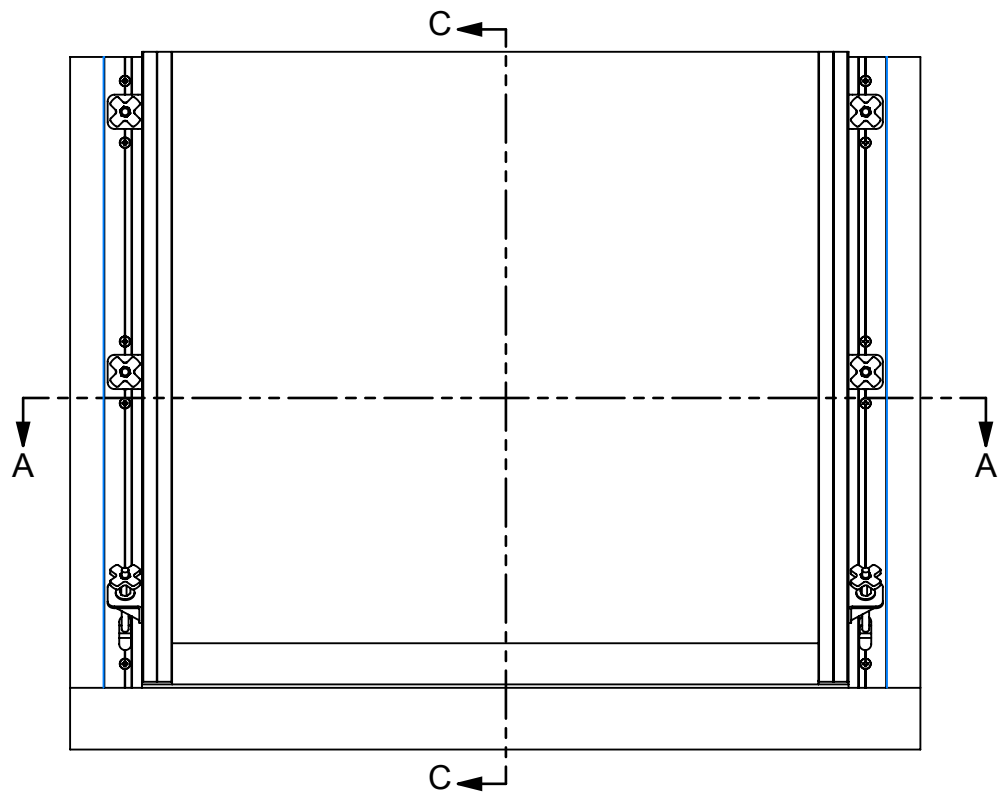
SECTION A-A
SCALE 1 : 14



DETAIL M
SCALE 1 : 3

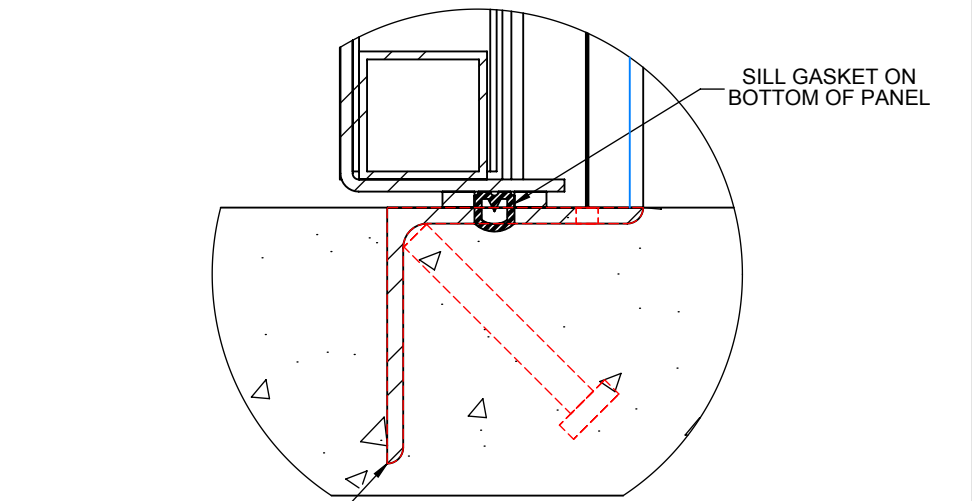


DETAIL F
SCALE 1 : 3



SECTION C-C
SCALE 1 : 14

WATER FORCE →



DETAIL E
SCALE 1 : 3

\\w2k3server\h2g\Satrom\Misc Sales Marketing Reqs\LO-510\GEN-WEB MODEL - 9/7/2012

REV.	REVISIONS	DATE	REVISED BY	PROPRIETARY AND CONFIDENTIAL DRAWINGS ARE EXCLUSIVE PROPERTY OF PRODUCTION SPECIALTIES CORPORATION PS DOORS AND CANNOT BE USED IN WHOLE OR PART WITHOUT WRITTEN CONSENT. © 2012 PS DOORS ALL RIGHTS RESERVED	DOOR/OPENING NAME:	SN:	SALES ORDER #:	QTY:	PS DOORS MANUFACTURING DIVISION
					PRODUCT: LO-510	DWG STATUS: REFERENCE DRAWING - NOT FOR CONSTRUCTION		DATE: 9/7/2012	1150 48th St. S GRAND FORKS, ND 58201 PH. 701-746-4519 FAX 701-746-8340
					CUSTOMER:	DWG #: GEN-WEB MODEL		SCALE: NTS	
					CUST PO #:	DWG BY: gsatrom	CHECKED: GS / 8-3-12		SHEET #:3 OF 3
					SALES ORDER NAME:				REV: A+