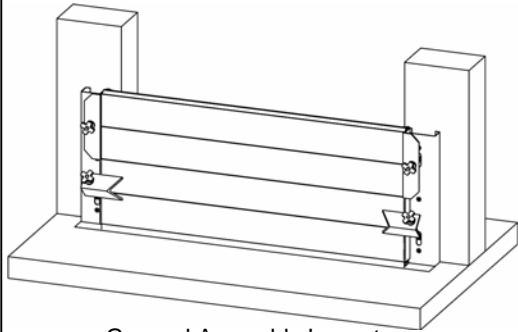


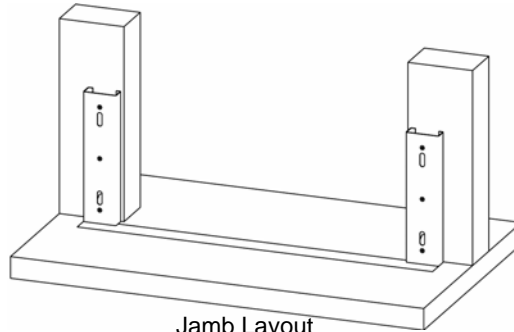
LO-510 MEASURING GUIDE & ORDER FORM



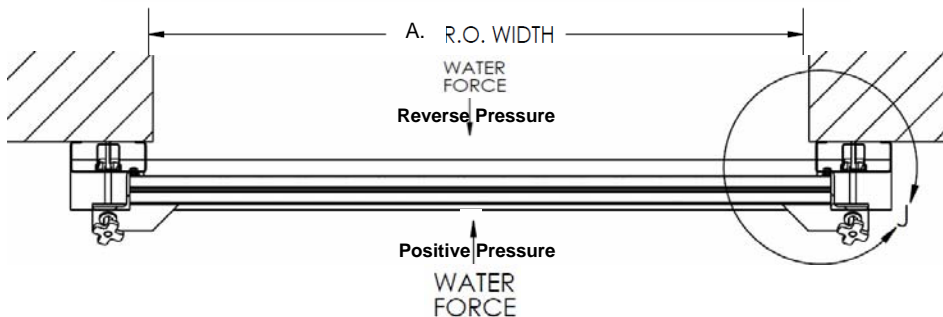
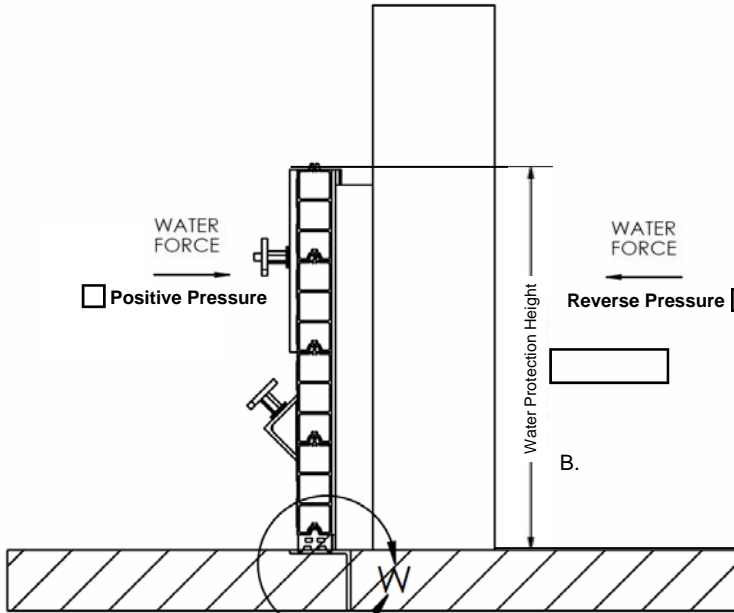
1150 S. 48TH STREET, GRAND FORKS, ND 58201
 PHONE: 701.746.4519 | TOLL FREE: 877.446.1519
 FAX: 701.746.8340 | WWW.PSINDUSTRIES.COM



General Assembly Layout



Jamb Layout



QUOTATION REQUESTED LO-510 ORDER

SOLD/QUOTE TO:

Name:	
Company:	
Address:	
City, State, Zip:	
Phone:	Fax:
E-Mail:	

SHIP TO:

Name:	Date:
Address:	P.O. #:
City, State, Zip:	TAG:
Phone:	SHIP VIA:

PROJECT NAME:

QUANTITY:

DIMENSIONS:

A. Rough Opening Width:

B. Water Protection Height:

Side Clearance Left: Side Clearance Right:

(All Measurements in Inches)

MOUNTING SURFACE:

CMU

CIP

(Wall Thickness)

WATER FORCE:

Positive Pressure Reverse Pressure

Notes:

CUSTOM DRAWINGS FOR APPROVAL

If "NO" Approval Drawings are requested, the Name of the person "Declining" approval drawings must be shown below.

Yes No

Name Date