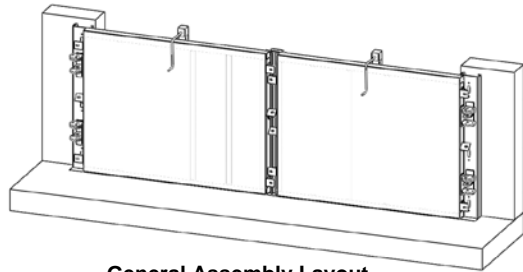


HPS-555 CUT SHEET & ORDER FORM



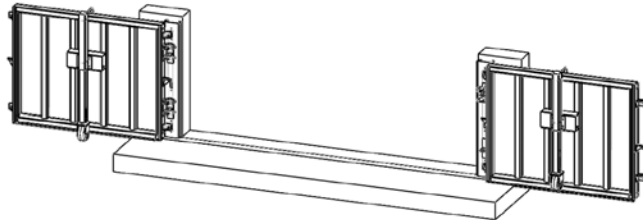
Toll Free 800-284-0623
 Phone: 701-746-4519
 Fax 701-746-8340
 Website: www.psddoors.com



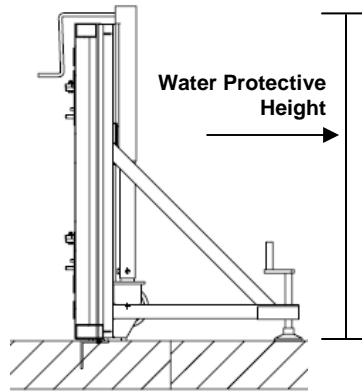
General Assembly Layout



Jamb Layout

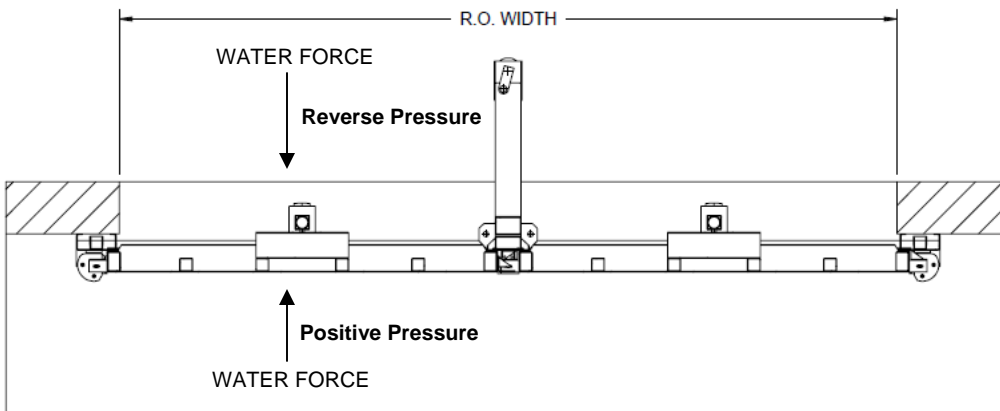
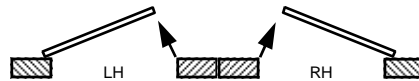
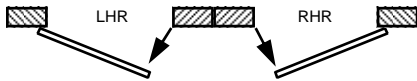


General Assembly Layout (Open)



Water Protective Height

AVAILABLE SWING DIRECTIONS:



QUOTATION REQUESTED HS-550 ORDER

SOLD/QUOTE TO:

Name: _____
 Company: _____
 Address: _____
 City, State, Zip: _____
 Phone: _____ Fax: _____
 E-Mail: _____

SHIP TO:

Name: _____	Date: _____
Address: _____	P.O. #: _____
City, State, Zip _____	TAG: _____
Phone: _____	SHIP VIA: _____

PROJECT NAME: _____

QUANTITY: _____

DIMENSIONS:

Rough Opening Width: _____ Side Clearance Left: _____
 Water Protection Height: _____ Side Clearance Right: _____
(All Measurements in Inches) (All Measurements in Inches)

SWING DIRECTION:

RHR/ LHR
 RH/LH

MOUNTING SURFACE:

CMU _____
 CIP _____
(Wall Thickness)

MATERIAL:

MILD STEEL
 ALUMINUM SST

WATER FORCE:

Positive Pressure Reverse Pressure

Notes:

CUSTOM DRAWINGS FOR APPROVAL *If "NO" Approval Drawings are requested, the Name of the person "Declining" approval drawings must be shown below.*

Yes No

Name: _____ Date: _____