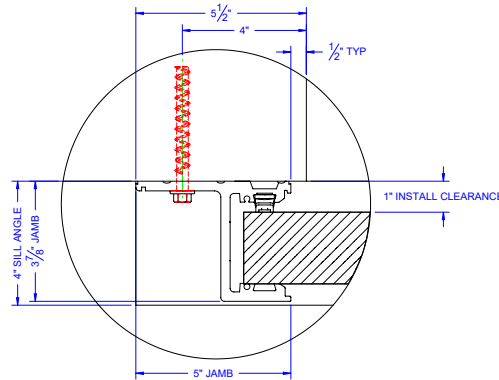
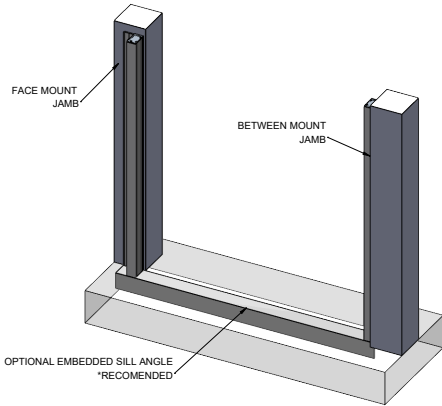


FP-530 MEASURING GUIDE

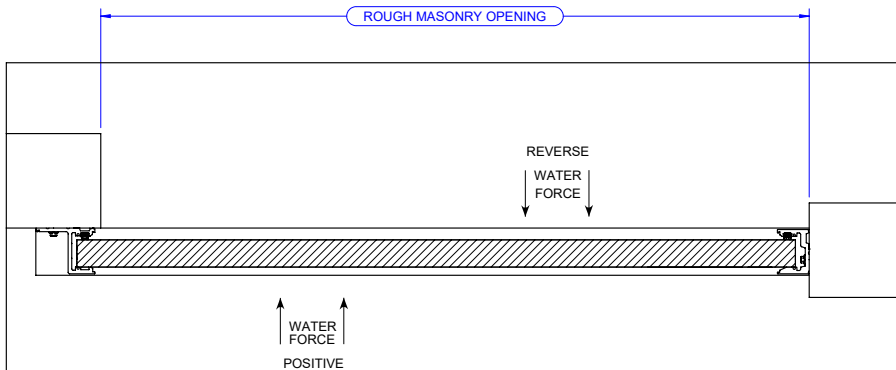
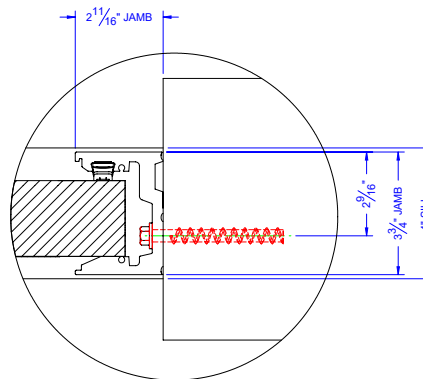
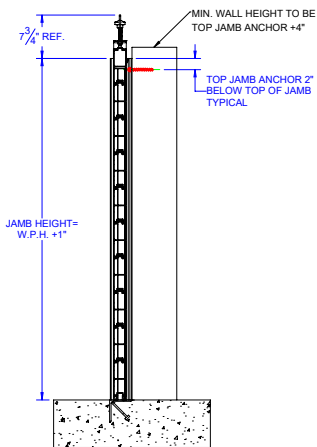


1150 S. 48TH STREET, GRAND FORKS, ND 58201
 PHONE: 701.746.4519 | TOLL FREE: 877.446.1519
 FAX: 701.746.8340 | WWW.PSINDUSTRIES.COM

Face Mount Jamb



In-Between Jamb Mount



QUOTE TO:

| | | |
|----------|--------|------|
| Name: | E-Mail | |
| Company: | Phone: | |
| Address: | | |
| City: | State: | ZIP: |

PROJECT NAME:

QUANTITY:

DIMENSIONS: (All Measurements in Inches)

RMO Width:

Water Protection Height:

Opening Width:

MULTI-SECTIONAL: (over 120")

Opening Width:

- Dry-Side Support
 Wet-Side Support

JAMB MOUNTING SURFACE:

- CMU
 CIP
 (Wall Thickness)

HOT DIPPED GALVANIZED:

- EMBEDDED NO SILL REQUESTED
 SURFACE MOUNTED PLATE

FACE MOUNT: (See Diagram to Left)

- Face Mount Jamb
 In-Between Jamb Mount

JAMB FINISH:

- ALUMINUM MILL FINISH (STD)
 POWDER COAT (See Colors Below)
 Bronze White Gray
 Silver Gloss Black

WATER FORCE: Positive Pressure Reverse Pressure

*Reverse pressure has limitations and is subject to engineering review

NOTES: Lockable Jamb Cover Included.

LARGE OPENINGS: For openings larger than 120" the number of spans/supports must be engineered by PS Industries Incorporated.

CUSTOM DRAWINGS FOR APPROVAL

If "NO" Approval Drawings are requested, the Name of the person "Declining" approval drawings must be shown below.

- Yes
 No

Name: Date:

Product specifications, options, and availability subject to change with out notice.

The top left diagram is for illustration and shows both Face Mount Jamb and In-Between Jamb Mounts. Although you can choose both jamb options, the Face Mount Jamb is most common.