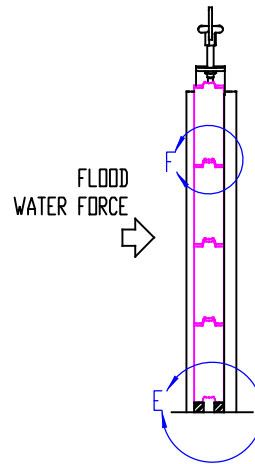
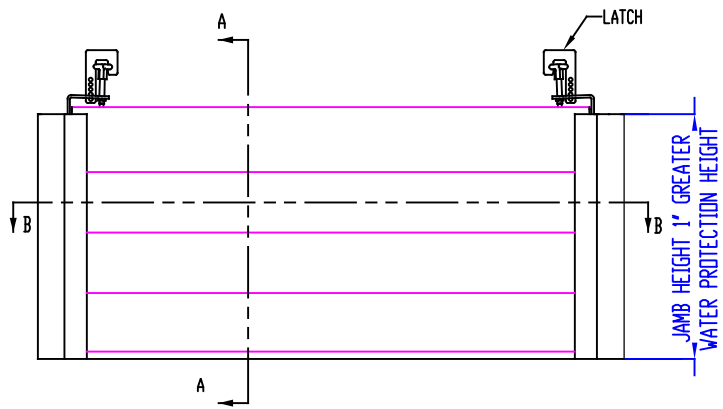
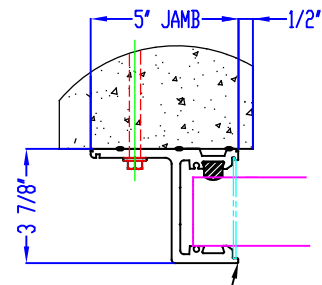


FLOOD WATER FORCE
SECTION B-B

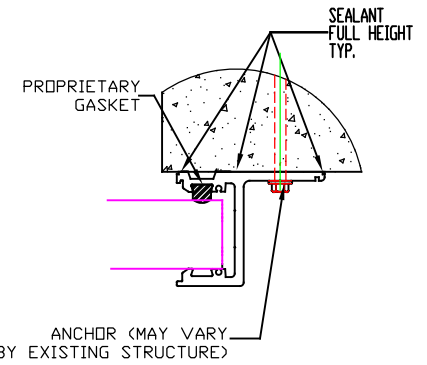


SECTION A-A

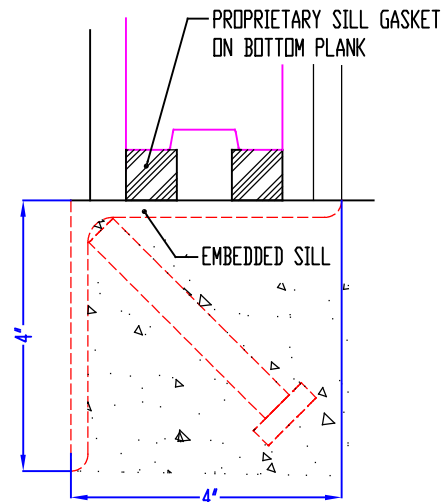


REMOVABLE JAMB COVER(S)
(TYP. BOTH SIDES)
INSTALLED WHEN PLANKS ARE REMOVED

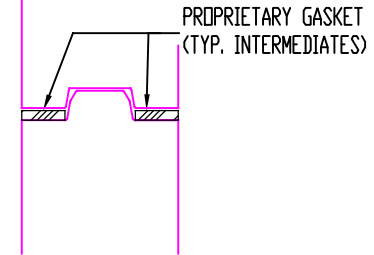
DETAIL C
JAMB DETAIL ①②③



DETAIL D
JAMB DETAIL ①②③



DETAIL E
SILL DETAIL ④



DETAIL F
INTERMEDIATE DETAIL

FP-530 FLOOD PLANK SYSTEM - FACE MOUNT JAMB

PROPRIETARY AND CONFIDENTIAL DRAWINGS ARE EXCLUSIVE PROPERTY OF PRODUCTION SPECIALTIES CORPORATION, dba PS DOORS AND CANNOT BE USED IN WHOLE OR PART WITHOUT WRITTEN CONSENT © 2018 PS DOORS ALL RIGHTS RESERVED

- ① LOCATION AND QUANTITY OF ANCHORS TBD BASED ON LOADING
- ② DESIGN SHOWN REQUIRES STRUCTURE TO BE A MINIMUM OF 8" GROUT FILLED CMU OR 3000 PSI CIP; CONTACT PS DOORS FOR DEVIATIONS
- ③ FLOOD LOAD ON PLANK SYSTEM IS TRANSFERRED TO BUILDING STRUCTURE
- ④ STANDARD SILL TO BE EMBEDDED ANGLE; CONTACT PS DOORS FOR ADDITIONAL OPTIONS

MODEL: FP-530

DATE: 1/29/2018

**REFERENCE DRAWING
NOT FOR CONSTRUCTION**

SCALE: NTS

SHEET #: 1 OF 1

DWG BY: PSDOORS

REV: E

PS Flood Barriers™

1150 S. 48th ST.
GRAND FORKS, ND 58201
PH. 701-746-4519
psfloodbarriers.com