

# HYDRODEFENSE™

## Flood Plank™



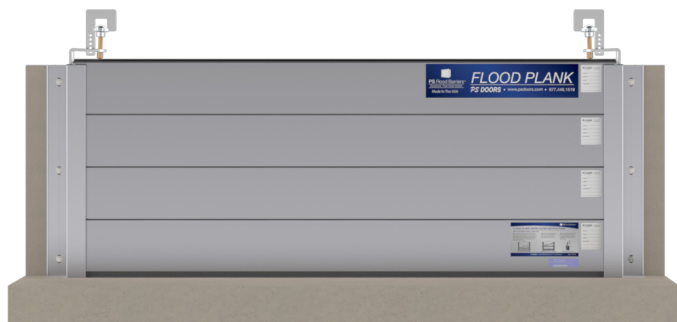
### Installation Instructions/Operation and Maintenance Manual

**Models:**

- FP-530
- FP-530 FM

**Table of Contents:**

- Safety Precautions ..... 2
- Product Information ..... 2
- Sill Installation ..... 4
- Permanent Jamb Installation ..... 6
- Permanent Jamb Parts List ..... 6
- Removable Jamb Installation ..... 12
- Removable Jamb Parts List ..... 12
- Flood Plank Installation ..... 19
- Inspection and Maintenance ..... 23
- Warranty Registration Form ..... 25



### Contact Information

<p><b>Mail</b> PS Flood Barriers 1150 South 48th Street Grand Forks, ND 58201</p>	<p><b>Local Phone</b> 701.746.4519</p> <p><b>Toll Free Phone</b> 877.446.1519</p>	<p><b>Website</b> <a href="http://psfloodbarriers.com">psfloodbarriers.com</a></p> <p><b>Email</b> <a href="mailto:4psinfo@psindustries.com">4psinfo@psindustries.com</a></p>	<p><b>Hours of Operation</b> 8 A.M. to 5 P.M. CT Monday – Friday</p>
---	---	---	--

**IMPORTANT!** Read entire Instruction and Operations Manual to become familiar with the product.

**NOTICE** This product is a flood protection product. The effectiveness of the product is directly related to the proper installation and operation of this product. Failure to properly maintain this product **will** affect performance.

**Publication Notice**

This manual has been compiled and published covering the latest product descriptions and specifications.

The contents of this manual and the specifications of this product are subject to change without notice.

PS Flood Barriers reserves the right to make changes without notice in the specifications and materials contained herein and shall not be responsible for any damages (including consequential) caused by reliance on the materials presented, including but not limited to typographical and other errors relating to the publication.

PS Flood Barriers and/or its respective suppliers may make improvements and/or changes in the product(s)/ service(s) offered and/or the program(s) at any time without notice.

Retain this manual for future reference.

If you would like to download a copy of this manual, please go to [psfloodbarriers.com](http://psfloodbarriers.com)

Product registration is an essential step to protecting your product, register Online at [psindustries.com/contact/register-your-product/](http://psindustries.com/contact/register-your-product/)



## Safety Precautions

**The following icons are used throughout this Manual.**

- ▲ DANGER** Indicates an imminently hazardous situation which, if not avoided, will result in death or serious injury.
- ▲ WARNING** Indicates a potentially hazardous situation which, if not avoided, could result in death or serious injury.
- ▲ CAUTION** Indicates a potentially hazardous situation which, if not avoided, may result in minor or moderated injury.
- NOTICE** Indicates manufacturer's statement of additional information.
- IMPORTANT!** Indicates a required action.
- CRITICAL** Indicates a vital component to product performance.

## Product Information

**NOTICE** Unauthorized modification of or to the Product voids this Limited Warranty. Authorized modifications, received in writing from PS INDUSTRIES INCORPORATED, as long as the modification is accomplished in strict accordance with PS INDUSTRIES INCORPORATED's instructions, does not void warranty. To request product modifications contact PS INDUSTRIES INCORPORATED, 1150 S. 48th Street, Grand Forks, ND 58201, phone 877-446-1519, email: 4psinfo@psindustries.com

### I. General Information

- A. This manual contains information regarding installation, operation, and maintenance of the PS Flood Barriers' FP-530 Flood Plank assemblies.
- B. PS Flood Barriers recommends that the owner implement a regular maintenance program to inspect the FP-530 as necessary.
- C. Conduct Inspection and Maintenance activities as described in this Operation and Maintenance Manual, at a minimum, annually and seasonally if seasonal flood conditions exist, prior to the flood season. This may require the replacement of gaskets, sealants, anchors, and accounting for all of the latching devices.
- D. No additional allowances have been included for hydrodynamic, debris impact, or wave loads, unless specifically detailed in additional documentation provided. (Refer to Approved for Construction Drawings for all included Loading).
- E. This product is equipped with compressible seals, which are not dependent on inflation devices.

**▲ WARNING** THIS IS A FLOOD PROTECTION BARRIER; NEVER UNLATCH OR DISASSEMBLE DURING ANY FLOOD CONDITIONS AS WATER LEAKAGE WILL OCCUR AND YOU MAY NOT BE ABLE TO RESEAL THE BARRIER.

### II. Operation Guidelines

- A. Operation in a manner other than intended could result in damage or less than acceptable performance at time of need, for which the manufacturer will not be held responsible.
- B. Protect all gaskets and hardware. Always consult original Approved for Construction drawings for all installation dimensions, details, hardware and specifications.
- C. Ensure PS Flood Barriers' FP-530 Flood Plank is fully deployed and latched prior to flood waters reaching the opening.

**CRITICAL** Always plan for potential leakage and condensation that can occur during flooding conditions.

### III. Safety Precautions

- A. Ensure opening is clear of all obstructions or debris.
- B. Do not force planks or components if they do not operate freely.
- C. Install only on surfaces capable of supporting all loading.
- D. If the water height exceeds the level of the designed Water Protective Height (WPH), excessive leakage will occur.

## Product Information

**▲ WARNING** The flood protective barrier components MAY BE heavy, consult Approved for Construction drawings and included documents for weights and use appropriate lifting procedures and equipment.

### IV. Storage Prior to Installation of Product

- A. Store materials in a dry, ventilated location. If outdoor storage is required, block materials and tarp in a tent-like arrangement, elevated above the product with open sides to allow airflow.

### V. Installation Site Preparation

**NOTICE** Before starting site preparation and installation of the FP-530 Flood Plank, read the entire Operation and Maintenance Manual and review all installation instructions thoroughly.

- A. Clear work area of any debris.
- B. Ensure you have the necessary tools available.
- C. Obtained all required permits.
- D. Personnel: Determine the appropriate number of personnel required to perform installation and have them readily available at the project site.

**▲ DANGER** Ensure area below installation is blocked off from personnel during installation, and mounting surface is capable of supporting all loading. All water pressure, impact, and operating loads are transferred to the building structure. Building structural design and capacity to accept loads from flood barriers, as well as, evaluation of loads to structure is the responsibility of the owner.

### VI. Operation

- A. The PS Flood Barriers' FP-530 is a specially designed Flood Plank capable of providing flood protection. The Model FP-530 Flood Plank is specially manufactured to meet the opening dimensions and Water Protective Height (WPH) of each customer's specific site requirements.
- B. These Type 2 Flood Closures/Barriers shall form essentially dry barriers of seals, allowing only slight seepage during the hydrostatic pressure conditions of flooding to the Regulatory Flood Datum (RFD) or the Design Flood Elevation (DFE). Seepage amounts will vary with conditions encountered. This issue should be addressed by the design professional and usage of sump or bilge type pumps should be used to off set potential water build up.
- C. **DUE TO THE CUSTOM NATURE OF EACH FP-530 THEY DO NOT ALL LOOK THE SAME NOR LATCH OR OPERATE EXACTLY THE SAME. REFER TO THIS DOCUMENT AND APPROVED FOR CONSTRUCTION DRAWINGS FOR YOUR SPECIFIC INSTALLATION AND OPERATION.**

## Sill Installation

### VII. Sill Installation

**NOTICE** Only use Approved for Construction Drawings.

**IMPORTANT!** Follow Anchor Manufacturer's technical data manual/installation instructions for installation requirements and proper installation procedures.

**STEP 1.** Review all Approved for Construction drawings sent with the crated Flood Plank Barrier System. The Approved for Construction Drawings are located inside a plastic bag inside the crate. Review all installation labels prior to installation.

**STEP 2.** Determine Sill type and exact placement as called out on Approved for Construction Drawings. All sealing surfaces must be sound, flat/level, and without blemish for best performance. Permissible tolerance is  $\pm 1/16$ " per 10 foot length.

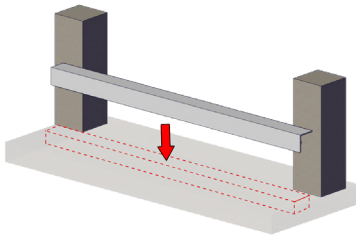
### Embedded Sill Angle

**STEP 3.** Installation of Embedded Sill Angle

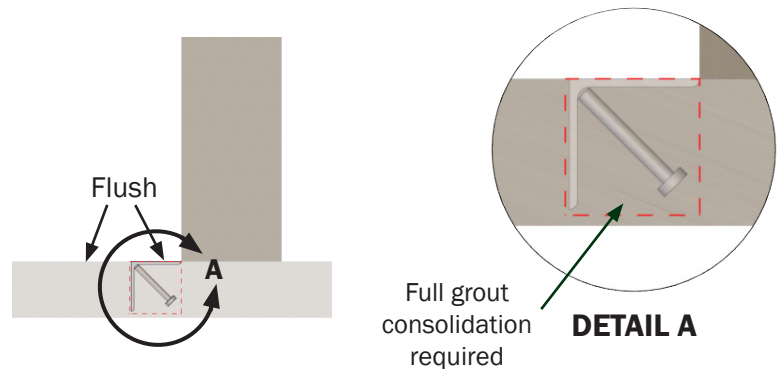
- a. Place Sill according to Approved for Construction Drawings.
- b. Grout, in accordance with grout mfg. instructions. Place embedded sill angle, level into concrete, keeping flush with concrete surface.

**IMPORTANT!** Allow grout to fully set before proceeding with Flood Plank Barrier installation.

Step 3  
Illustration A



Step 3  
Illustration B



### No Sill

**STEP 3.** No Sill installation

- a. In applications where the Flood Plank Barrier gaskets contact the existing building structure, floors, etc. all surfaces must be sound, flat/level, and without blemish for best performance. Floor cracks and expansion joints will cause extreme leakage. Permissible floor tolerance is  $\pm 1/16$ " per 10 foot length.

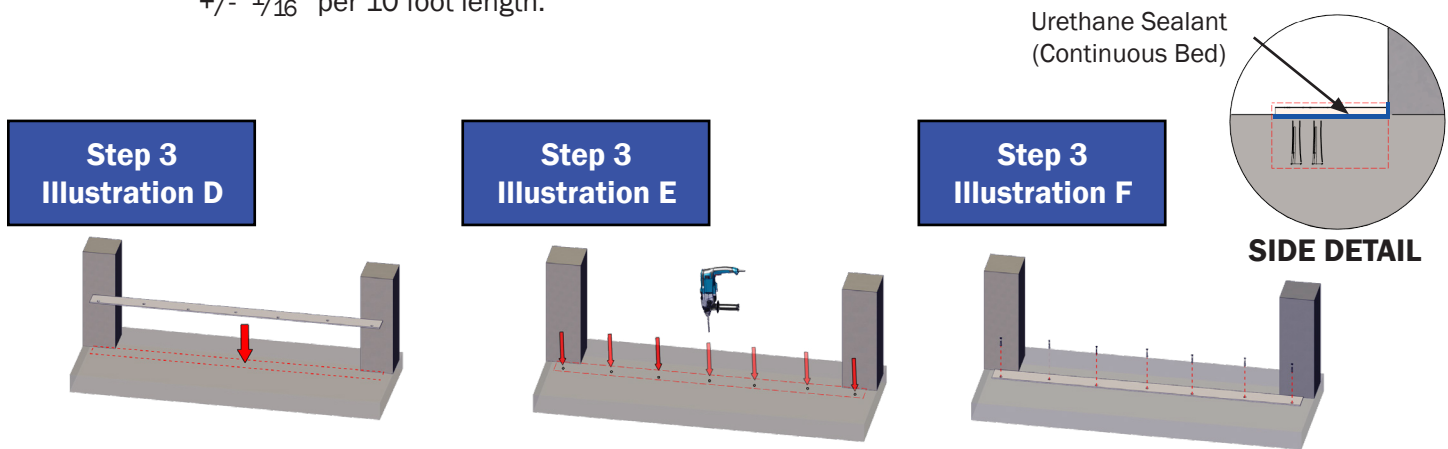
## Sill Installation

### Flat Surface Mounted Sill

#### STEP 3. Installation of Flat Surface Mounted Sill

- Place Sill according to Approved for Construction Drawings and mark anchor holes with sill in place.
- Set Sill aside and drill anchor hole diameter as required per included Anchor Specifications; refer to anchor manufacturer's technical data manual for installation limitations and requirements.
- Remove all dust and debris from the anchor holes, refer to anchor mfg. instructions.
- Place Sill in a continuous bed of urethane sealant, before anchoring, to create a watertight joint. Ensure urethane placement extends to the Sill ends and contacts the adjacent wall structure.

**IMPORTANT!** Sill orientation must match Approved for Construction drawings to ensure gaskets have a smooth, flat, and level surface. Shimming and/or concrete grinding may be required to ensure level sill  $\pm 1/16$ " per 10 foot length.

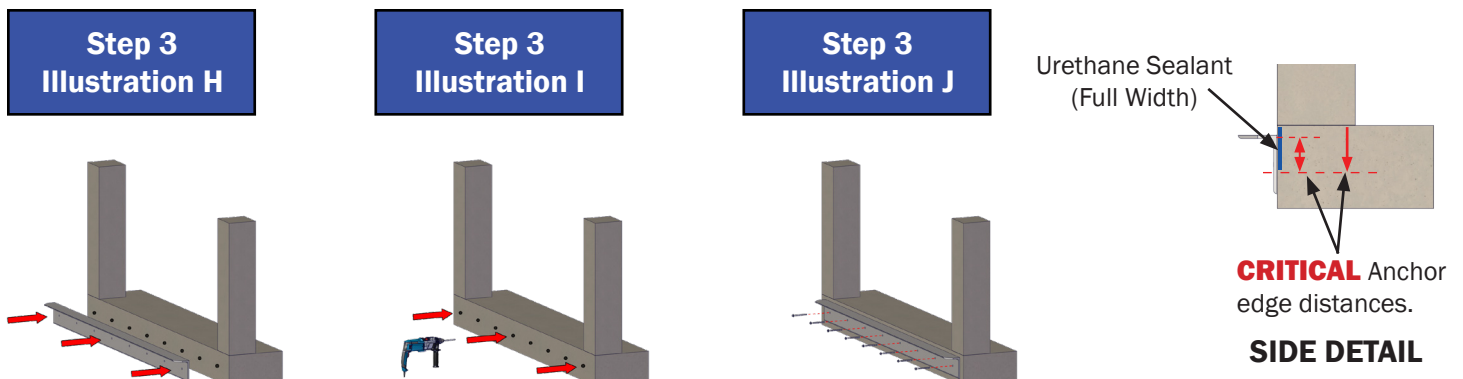


### Face Mounted Sill Angle

#### STEP 3. Installation of Face Mounted Sill Angle

- Place Sill according to Approved for Construction Drawings and mark anchor hole locations with sill in place. Refer to required anchor edge distances specified on Approved for Construction Drawings.
- Set sill aside and drill anchor hole diameter as required per included Anchor Specifications.
- Remove all dust and debris from the anchor holes, refer to anchor mfg. instructions.
- Apply bead of urethane sealant (full width), set sill level in place, and anchor to existing structure. Ensure urethane placement extends to meet jamb at ends and contacts the adjacent wall structure.

**IMPORTANT!** Follow included Anchor Manufacturer's technical data manual for installation limitations and requirements. Gasket contact area should be sound, flat/level and without blemish for best gasket performance, may require shimming to keep sill level.

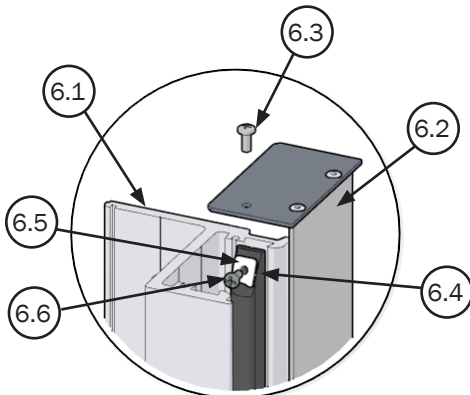
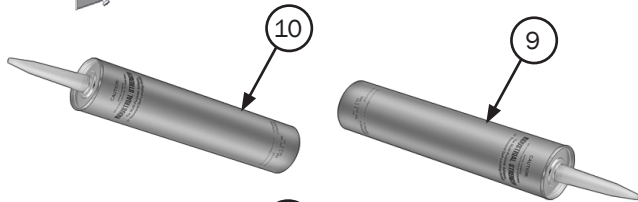
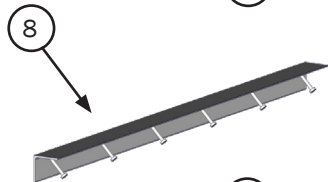
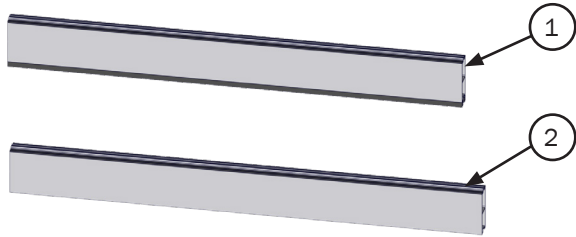


# Permanent Jamb Installation

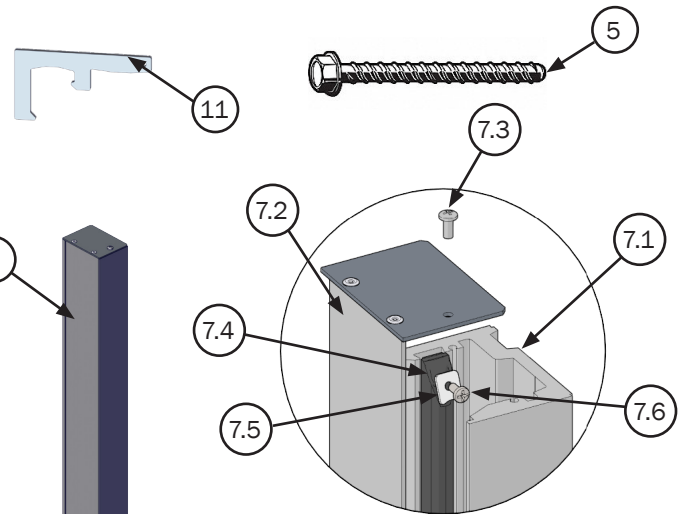
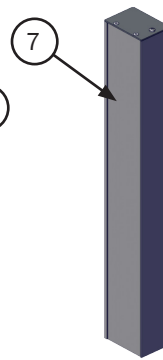
## Parts List

### VIII. Permanent Jamb Parts List

**NOTE 1.** Left and Right Jamb assemblies are shipped fully assembled. Diagram is for part identification only.



**EXPLODED LEFT JAMB DETAIL**



**EXPLODED RIGHT JAMB DETAIL**

PERMANENT JAMB PARTS LIST			
ITEM #	DESCRIPTION	QTY	PART #
1	FP;BOTTOM PLANK-ALUM	1	BOT P
2	FP;INTER PLANK-ALUM	*	INT P
3	FP;PLANK LATCH ANGLE ASSY	2	507391
4	FP;PLANK LATCH LOCK	2	512791
5	JAMB FASTENERS **	*	**
6	FP;LEFT SIDE JAMB ASSY **	1	JMBASMLH
7	FP;RIGHT SIDE JAMB ASSY **	1	JMBASMRH
8	FLD;FP SILL ASSY **	1	SILL ASM
9	SEALANT; POLYURETHANE, GRAY	2	509809
10	SEALANT; SWELL PASTE TYPEE 100Z	1	500507
11	FP;PLANK REMOVAL TOOL	1	512895

\*Refer to Approved for Construction Drawings for quantity.

\*\*Refer to Approved for Construction Drawings for type.

**TO ORDER PARTS CONTACT PS FLOOD BARRIERS AT  
877.446.1519 or [4psinfo@psindustries.com](mailto:4psinfo@psindustries.com)**

LEFT JAMB PARTS LIST			
ITEM #	DESCRIPTION	QTY	PART #
6.1	LEFT JAMB MOUNT EXTRUSION	1	JMBCHNLH
6.2	FP;JAMB COVER	1	JMBCVRLH
6.3	SCREW;PANSLOTMACH 12-24X1/2"AL	1	514561
6.4	FP;JAMB GASKET	1	513486
6.5	FP; GASKET RET. WASHER	1	509109
6.6	SCREW;PANPHMACH10-24X3/8AL	1	514438

RIGHT JAMB PARTS LIST			
ITEM #	DESCRIPTION	QTY	PART #
7.1	RIGHT JAMB MOUNT EXTRUSION	1	JMBCHNRH
7.2	FP;JAMB COVER	1	JMBCVRRH
7.3	SCREW;PANSLOTMACH 12-24X1/2"AL	1	514561
7.4	FP;JAMB GASKET	1	513486
7.5	FP; GASKET RET. WASHER	1	509109
7.6	SCREW;PANPHMACH10-24X3/8AL	1	514438

# Permanent Jamb Installation

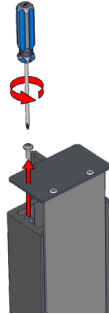
## Face Mount Jamb

### IX. Permanent Face Mount Jamb Installation

**IMPORTANT!** Follow Anchor Manufacturer's technical data manual/installation instructions for installation requirements and proper installation procedures.

**STEP 1.** Remove cover assembly from jambs.

#### Step 1 Illustration



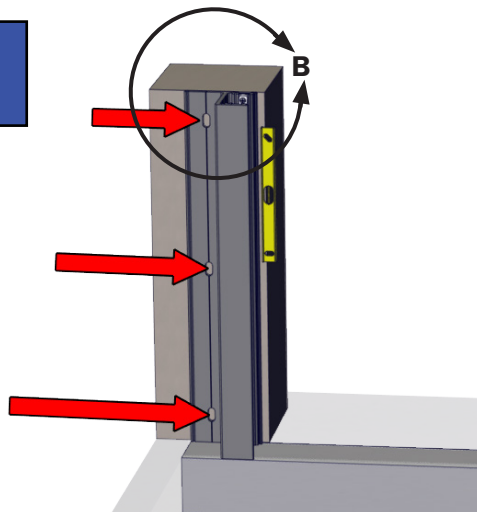
**STEP 2.** After proper sill installation.

a. Measure and set jamb (label on back of jamb) against wall and plumb, reference from edge of opening to center of anchor holes.

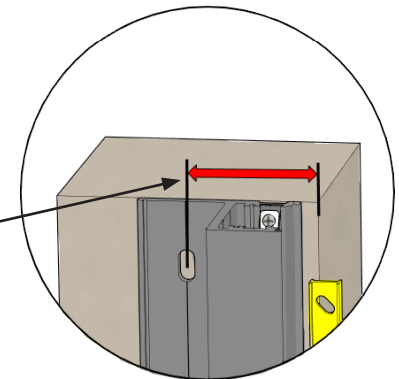
Required Anchor edge distances specified in Approved for Construction Drawings.

b. Mark anchor hole locations in jamb onto existing structure.

#### Step 2 Illustration A



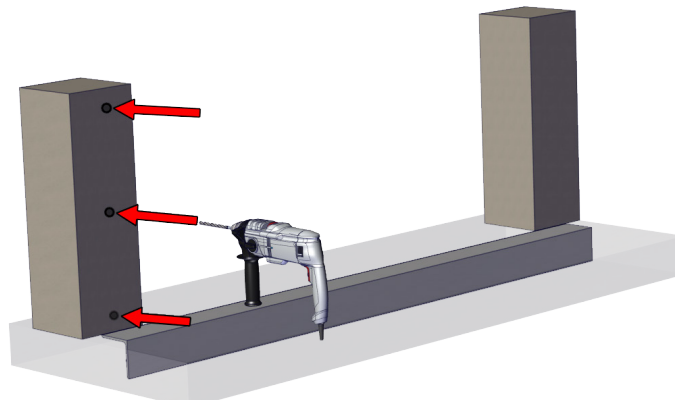
**CRITICAL** Anchor edge distance.



**DETAIL B**

**STEP 3.** Set jamb aside and drill holes; drill bit diameter as required per included Anchor Manufacturer's technical manual.

#### Step 3 Illustration





# Permanent Jamb Installation

## Face Mount Jamb

**STEP 4.** Remove all dust and debris from anchor holes [per included Anchor Manufacturer's technical manual.](#)

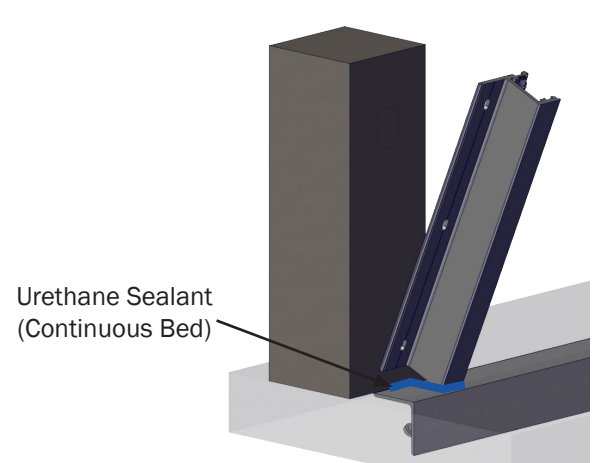
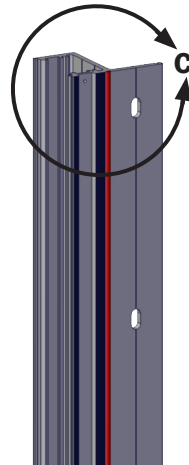
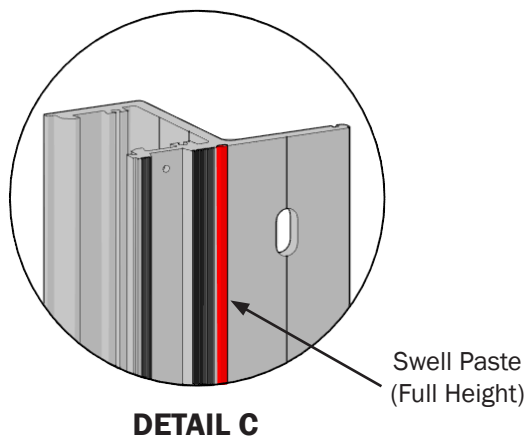
**STEP 5.** Before placing jamb against existing structure.

- Apply  $\frac{1}{8}$ " bead of swell paste (full height), centered on back side of jamb on ribs. (See Detail C)
- Set base of jamb in a continuous bed of urethane sealant to create a watertight joint. Ensure wall is flat, smooth, and free of cracks and defects to create a watertight seal with the wall and floor.

**NOTICE** Use care when applying sealants to keep work area clean.

Step 5  
Illustration A

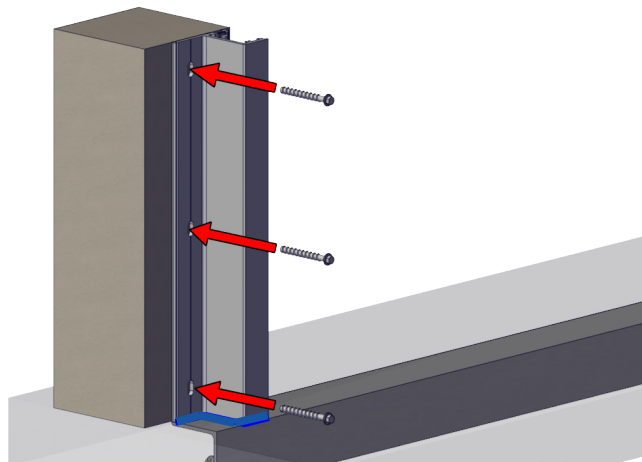
Step 5  
Illustration B



**STEP 6.** Set jamb in place

- Anchor to existing structure. [Do not exceed torque per included Anchor Manufacturer's technical manual.](#)  
\*Torque wrench supplied by others, NOT PS Flood Barriers.

Step 6  
Illustration





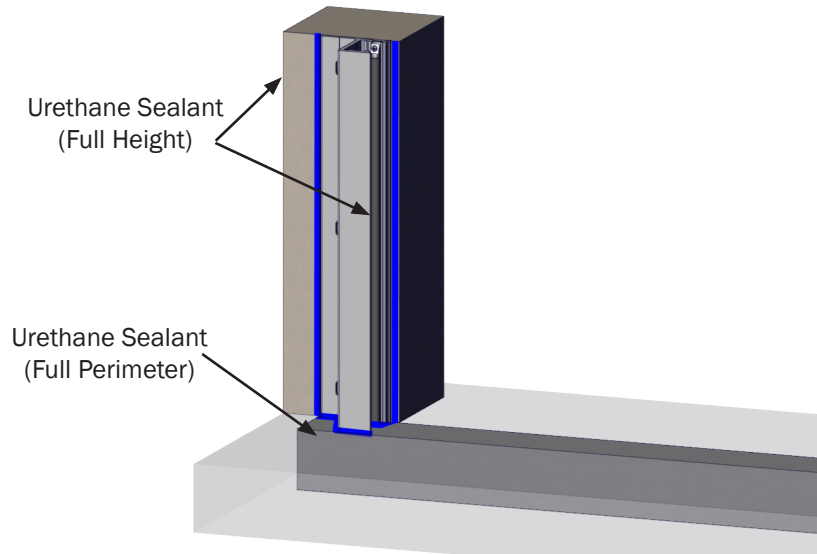
## Permanent Jamb Installation

### Face Mount Jamb

**STEP 7.** Apply urethane sealant to each side of jamb (full height) against existing structure and bottom of jamb (full perimeter) to create a watertight joint.

- a. Clean-up excess sealant that could prevent the bottom flood plank gasket from sealing to the sill.

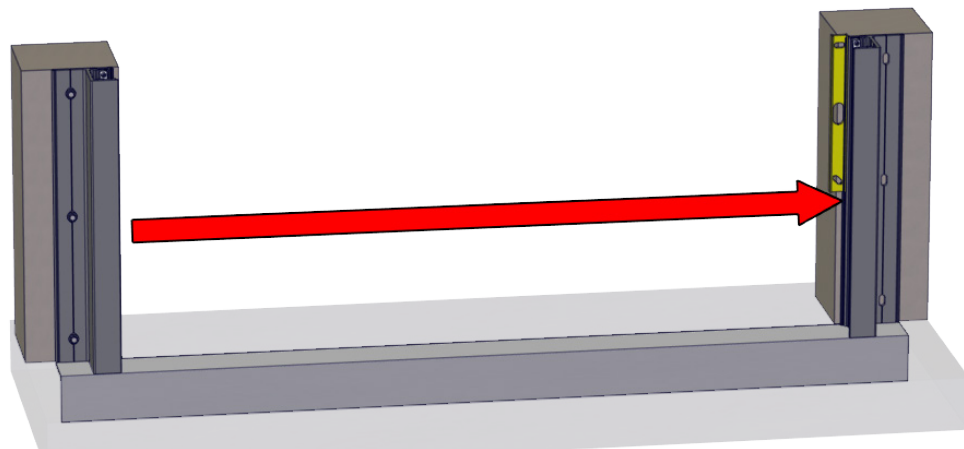
#### Step 7 Illustration



**STEP 8.** Installation of second jamb

- a. Measure from installed jamb to locate second jamb, as shown in Illustration.
- b. Repeat Steps 1 through Steps 7 for opposite Jamb. See Approved for Construction Drawings for dimensions.

#### Step 8 Illustration



**NOTICE** PS Flood Barriers recommends completing installation steps fully, testing, and completing a Training Drill for activation prior to storage of Flood Barrier System.

# Permanent Jamb Installation

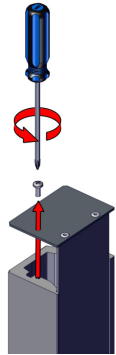
## In-Between Jamb Mount

### X. Permanent In-Between Jamb Mount Installation

**IMPORTANT!** Follow Anchor Manufacturer's technical data manual/installation instructions for installation requirements and proper installation procedures.

**STEP 1.** Remove cover assembly from jambs.

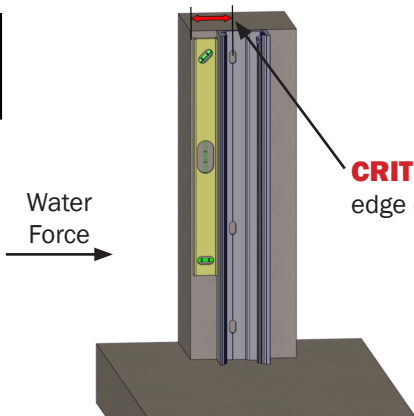
**Step 1  
Illustration**



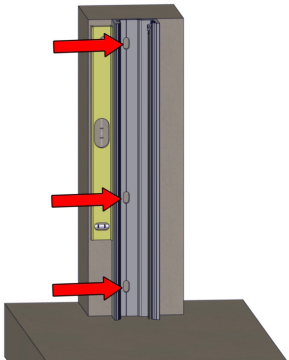
**STEP 2.** After proper sill installation.

- a. Measure and set jamb against wall and plumb, reference from edge of opening to center of anchor holes. Required Anchor edge distances specified in Approved for Construction Drawings.
- b. Transfer anchor hole locations from jamb onto existing structure.

**Step 2  
Illustration A**



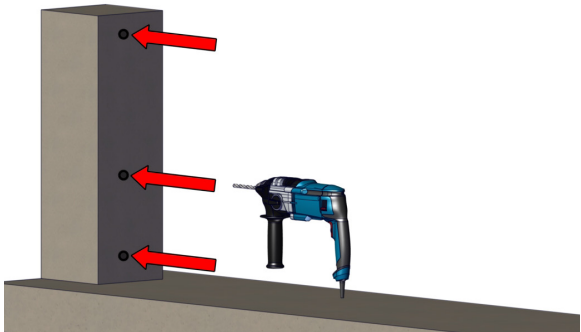
**Step 2  
Illustration B**



**CRITICAL** Anchor edge distance.

**STEP 3.** Set jamb aside and drill holes; drill bit diameter as required per included Anchor Manufacturer's technical manual.

**Step 3  
Illustration**



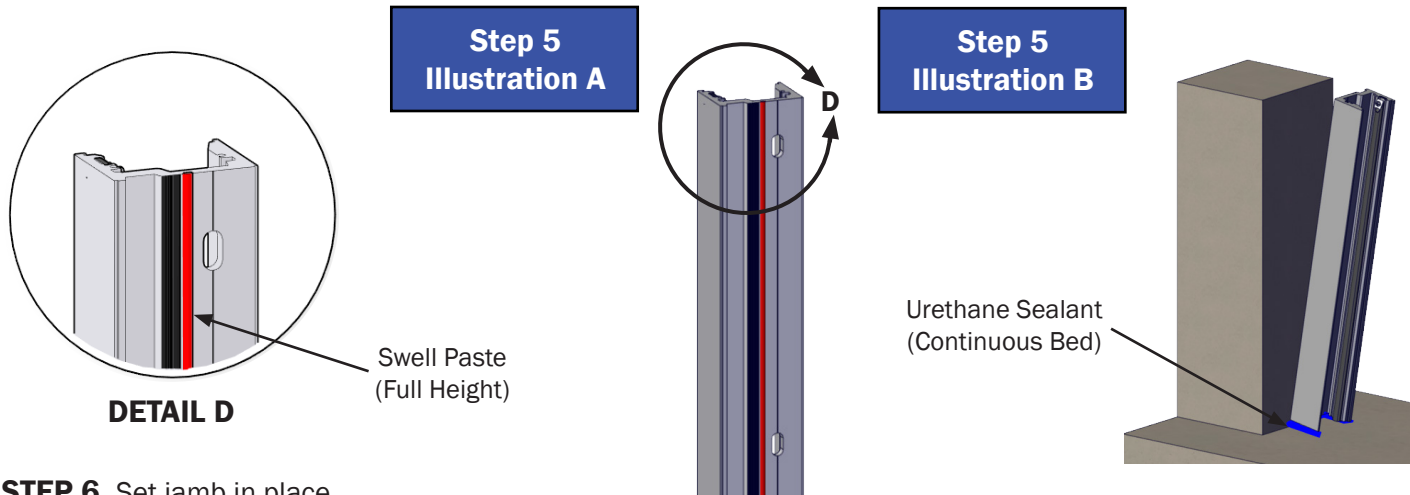
**STEP 4.** Remove all dust and debris from anchor holes per included Anchor Manufacturer's technical manual.

# Permanent Jamb Installation

## In-Between Jamb Mount

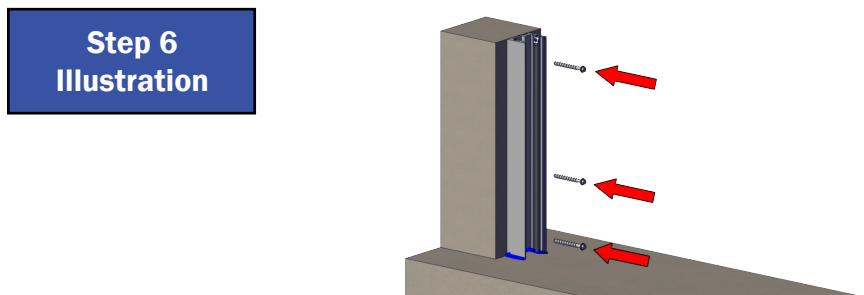
**STEP 5.** Before placing jamb against existing structure.

- a. Apply  $\frac{1}{8}$ " bead of swell paste (full height), centered on back side of jamb on ribs. (See Detail D)
- a. Set base of jamb in a continuous bed of urethane sealant to create a watertight joint. Ensure wall is flat, smooth, and free of cracks and defects to create a watertight seal with the wall and floor.



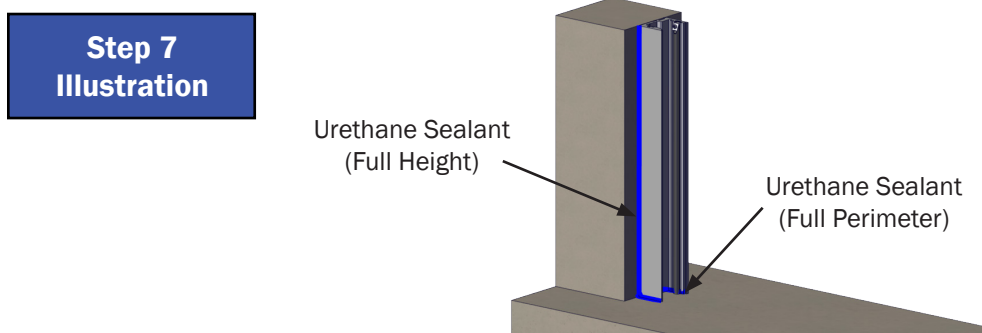
**STEP 6.** Set jamb in place

- a. Anchor to existing structure. [Do not exceed torque per included Anchor Manufacturer's technical manual.](#)  
\*Torque wrench supplied by others, NOT PS Flood Barriers.



**STEP 7.** Apply urethane sealant to each side of jamb (full height) against existing structure and bottom of jamb (full perimeter) to create a watertight joint.

- a. Clean-up excess sealant that could prevent the bottom flood plank gasket from sealing to the sill.



**STEP 8.** Installation of second jamb

- a. Repeat Steps 1 through Steps 7 for opposite Jamb. See Approved for Construction Drawings for dimensions.

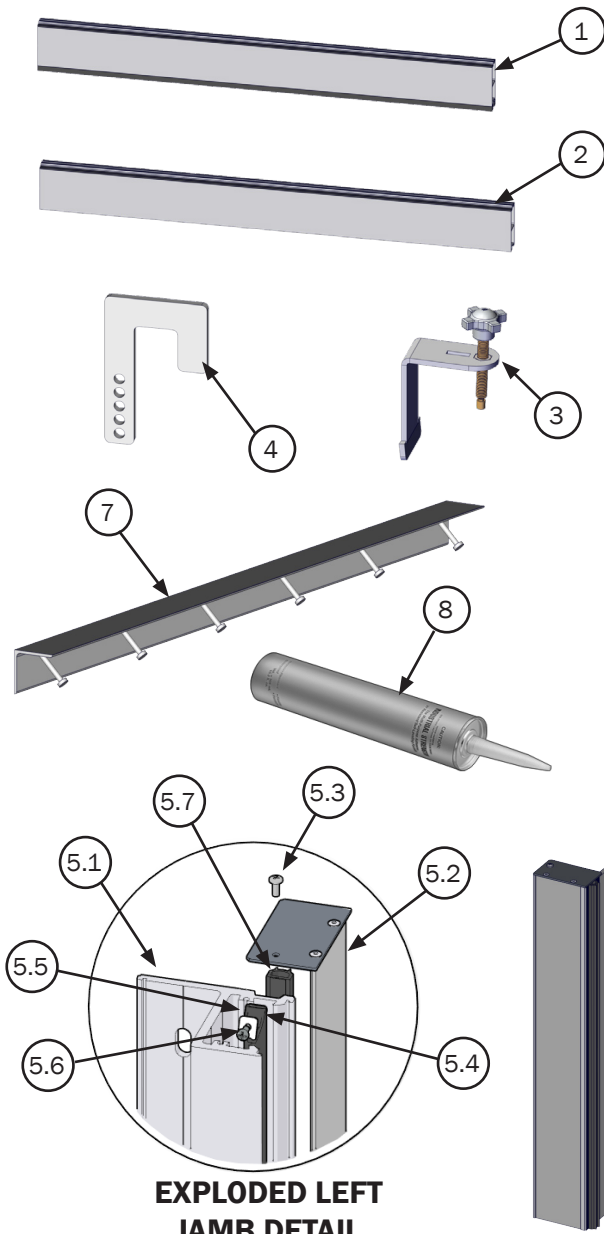
**NOTICE** PS Flood Barriers recommends completing installation steps fully, testing, and completing a Training Drill for activation prior to storage of Flood Barrier System.

# Removable Jamb Installation

## Parts List

### XI. Removable Jamb Parts List

**NOTE 1.** Left and Right Jamb assemblies are shipped fully assembled. Diagram is for part identification only.

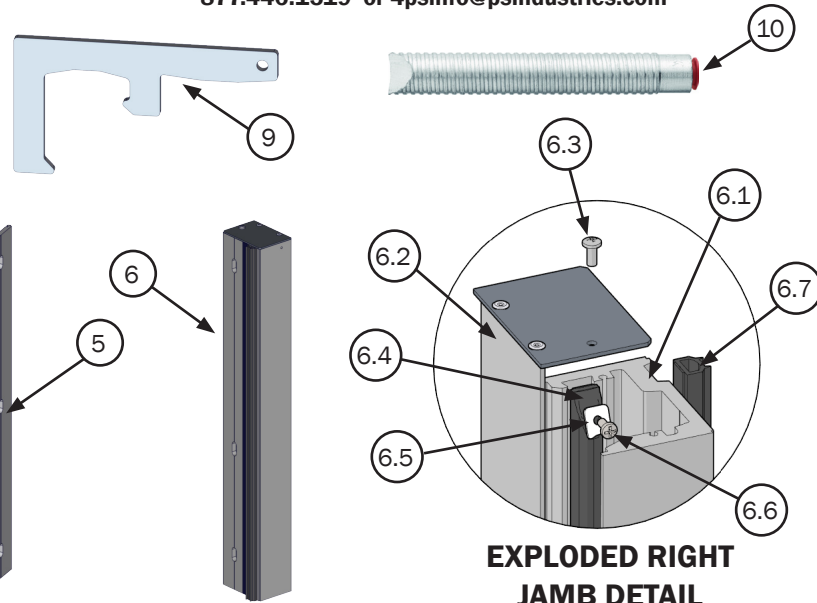


**EXPLODED LEFT JAMB DETAIL**

REMOVABLE JAMB PARTS LIST			
ITEM #	DESCRIPTION	QTY	PART #
1	FP;BOTTOM PLANK-ALUM	1	BOT P
2	FP;INTER PLANK-ALUM	*	INT P
3	FP;PLANK LATCH ANGLE ASSY	2	507391
4	FP;PLANK LATCH LOCK	2	512791
5	FP;LEFT SIDE JAMB ASSY **	1	JMBASMLH
6	FP;RIGHT SIDE JAMB ASSY **	1	JMBASMRH
7	FLD;FP SILL ASSY **	1	SILL ASM
8	WS;SEALANT;REMOVABLE	2	512654
9	FP;PLANK REMOVAL TOOL	1	501947
10	JAMB ANCHOR SYSTEMS **	*	**

\*Refer to Approved for Construction Drawings for quantity.  
 \*\*Refer to Approved for Construction Drawings for type.

**TO ORDER PARTS CONTACT PS FLOOD BARRIERS AT  
 877.446.1519 or 4psinfo@psindustries.com**



**EXPLODED RIGHT JAMB DETAIL**

LEFT JAMB PARTS LIST			
ITEM #	DESCRIPTION	QTY	PART #
5.1	LEFT JAMB MOUNT EXTRUSION	1	JMBCHNLH
5.2	FP;JAMB COVER	1	JMBCVRLH
5.3	SCREW;PANSLOTMACH 12-24X1/2"AL	1	514561
5.4	FP;JAMB GASKET	1	513486
5.5	FP; GASKET RET. WASHER	1	509109
5.6	SCREW;PANPHMACH10-24X3/8AL	1	514438
5.7	FP;WALL GASKET	1	512655

RIGHT JAMB PARTS LIST			
ITEM #	DESCRIPTION	QTY	PART #
6.1	RIGHT JAMB MOUNT EXTRUSION	1	JMBCHNRH
6.2	FP;JAMB COVER	1	JMBCVRRH
6.3	SCREW;PANSLOTMACH 12-24X1/2"AL	1	514561
6.4	FP;JAMB GASKET	1	513486
6.5	FP; GASKET RET. WASHER	1	509109
6.6	SCREW;PANPHMACH10-24X3/8AL	1	514438
6.7	FP;WALL GASKET	1	512655

# Removable Jamb Installation

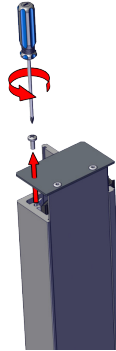
## Face Mount Jamb

### XII. Removable Face Mount Jamb Installation

**IMPORTANT!** Follow Anchor Manufacturer's technical data manual/installation instructions for installation requirements and proper installation procedures.

**STEP 1.** Remove cover assembly from jambs.

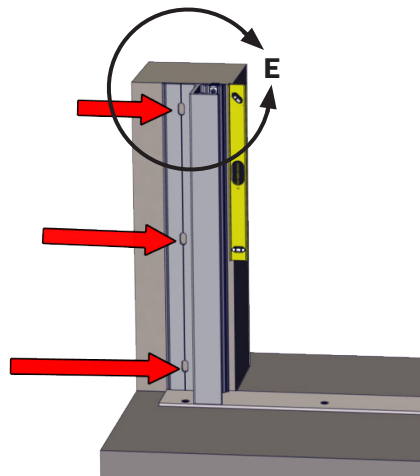
#### Step 1 Illustration



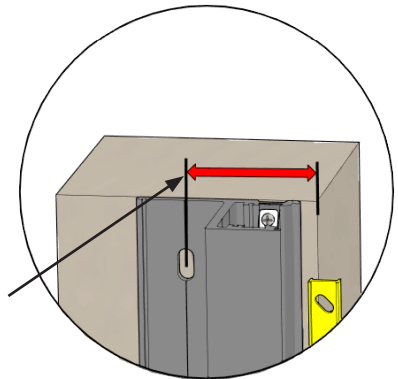
**STEP 2.** After proper sill installation.

- Measure and set jamb against wall and plumb, reference from edge of opening to center of anchor holes. Required Anchor edge distances specified in Approved for Construction Drawings.
- Mark anchor hole locations from jamb onto existing structure.

#### Step 2 Illustration



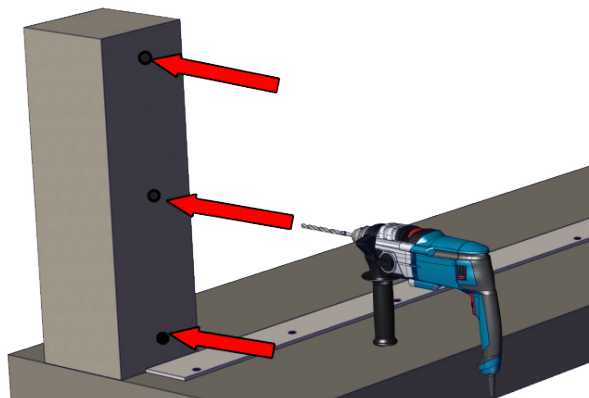
**CRITICAL** Anchor edge distance.



**DETAIL E**

**STEP 3.** Set jamb aside and drill holes; drill bit diameter as required per included Anchor Manufacturer's technical manual.

#### Step 3 Illustration



# Removable Jamb Installation

## Face Mount Jamb

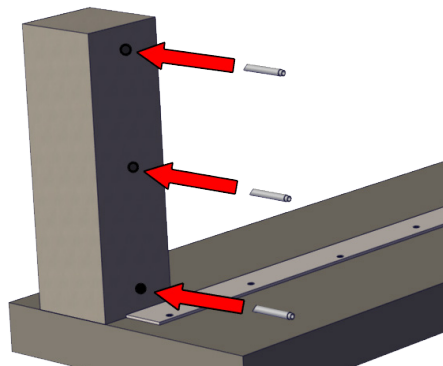
**STEP 4.** Remove all dust and debris from anchor holes [per included Anchor Manufacturer's technical manual](#).

**STEP 5.** Installation of internally threaded anchors. [Follow Anchor Manufacturer's technical data manual/ installation instructions for installation requirements and proper installation procedures](#).

- a. Fill anchor holes with supplied anchor epoxy before inserting post-installed internally threaded inserts. Nylon set screws (not shown) are provided for inserts when jambs are not in use.
- b. Clean-up excess anchor epoxy.

**IMPORTANT!** Let epoxy fully set before proceeding: [required time as specified per Anchor Manufacturer's technical manual](#).

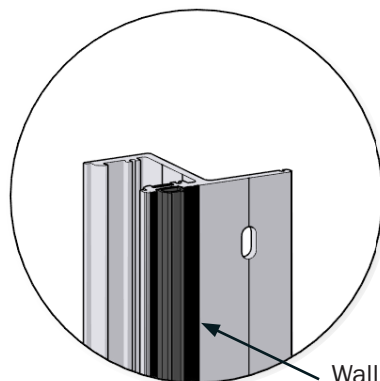
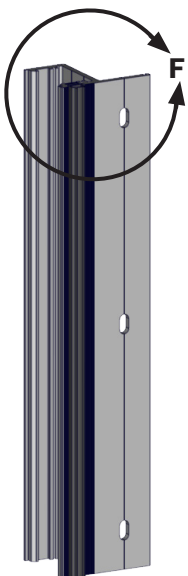
### Step 5 Illustration



**STEP 6.** Before placing jamb against existing structure.

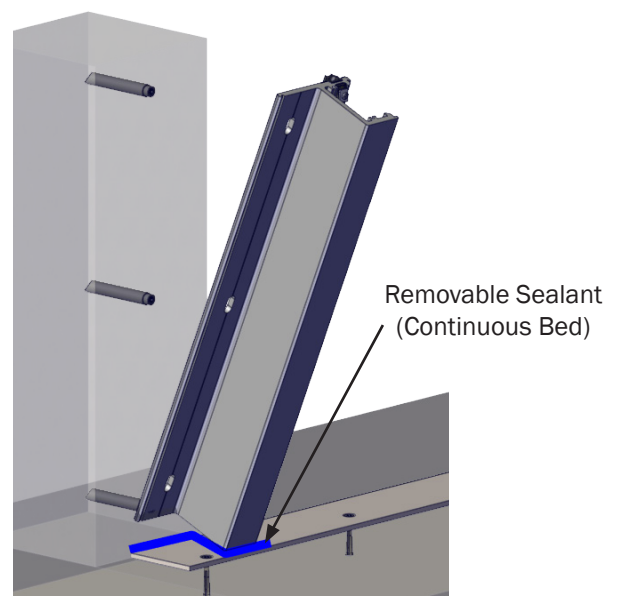
- a. Set base of jamb in a continuous bed of removable sealant to create a watertight joint. Ensure wall is flat, smooth, and free of cracks and defects to allow the compression gasket (Detail F) to create a watertight seal with the wall and floor.

### Step 6 Illustration A



Wall Gasket  
(No Swell Paste required)

### Step 6 Illustration B



# Removable Jamb Installation

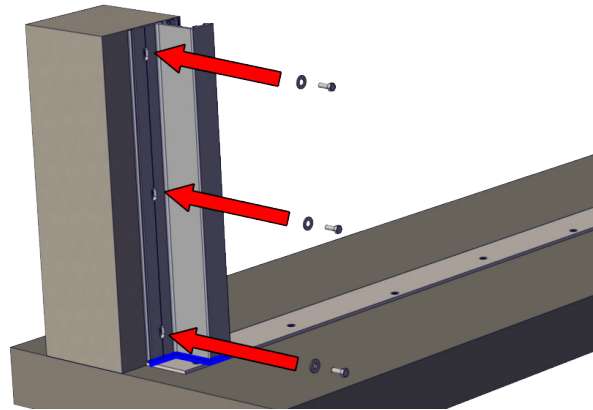
## Face Mount Jamb

### STEP 7. Set jamb in place

- Completely thread-in supplied bolts into post-installed thread inserts. [Do not exceed torque per Anchor Manufacturer's technical manual.](#)

\*Torque wrench supplied by others, NOT PS Flood Barriers.

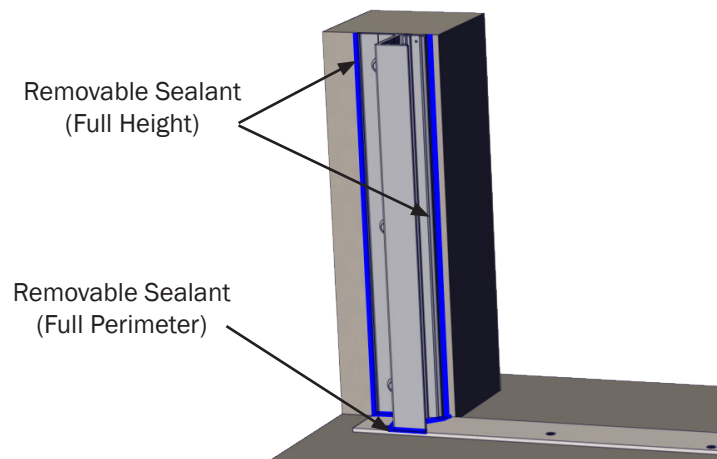
#### Step 7 Illustration



### STEP 8. Apply removable sealant to each side of jamb (full height) against existing structure and bottom of jamb (full perimeter) to create a watertight joint.

- Clean-up excess sealant that could prevent the bottom flood plank gasket from sealing to the sill.

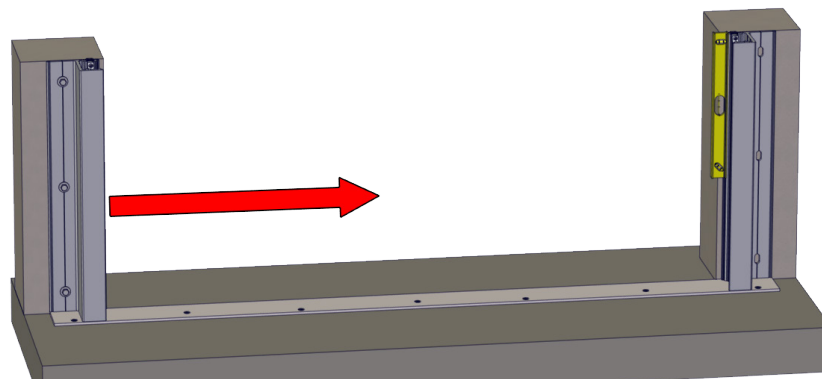
#### Step 8 Illustration



### STEP 9. Installation of second jamb

- Measure from installed jamb to locate second jamb, as shown in Illustration.
- Repeat Steps 1 through Steps 8 for opposite Jamb. See Approved for Construction Drawings for dimensions.

#### Step 9 Illustration



**NOTICE** PS Flood Barriers recommends completing installation steps fully, testing, and completing a Training Drill for activation prior to storage of Removable Flood Barrier System.



# Removable Jamb Installation

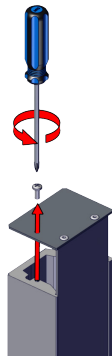
## In-Between Jamb Mount

### XIII. Removable In-Between Jamb Mount Installation

**IMPORTANT!** Follow Anchor Manufacturer's technical data manual/installation instructions for installation requirements and proper installation procedures.

**STEP 1.** Remove cover assembly from jambs.

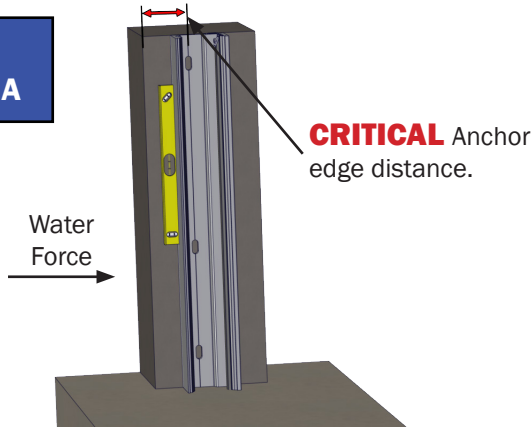
**Step 1  
Illustration**



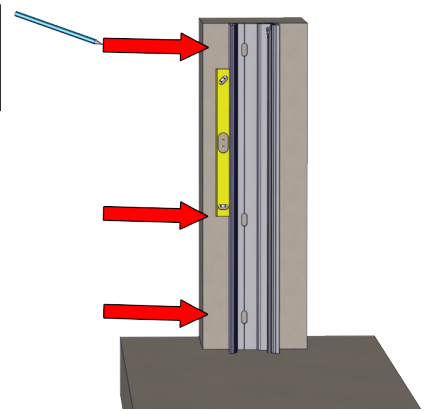
**STEP 2.** After proper sill installation.

- a. Measure and set jamb against wall and plumb, reference from edge of opening to center of anchor holes. Required Anchor edge distances specified in Approved for Construction Drawings.
- b. Transfer anchor hole locations in jamb onto existing structure.

**Step 2  
Illustration A**

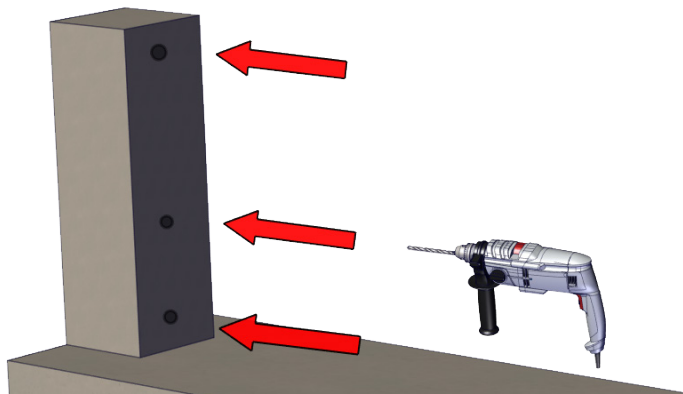


**Step 2  
Illustration B**



**STEP 3.** Set jamb aside and drill holes; drill bit diameter as required per included Anchor Manufacturer's technical manual.

**Step 3  
Illustration**



# Removable Jamb Installation

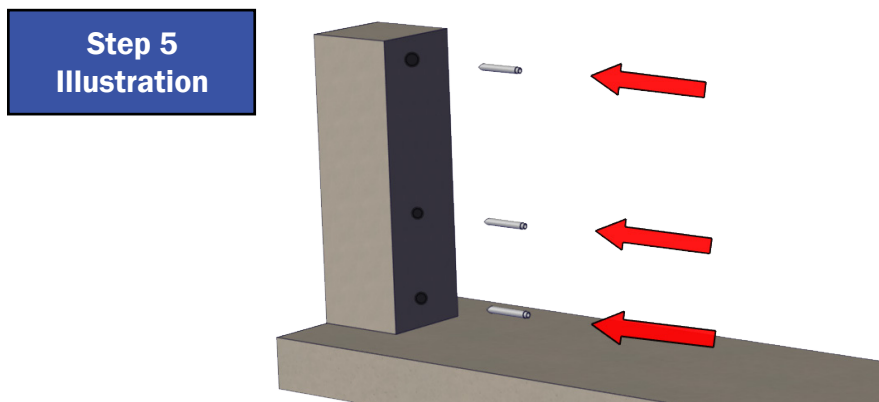
## In-Between Jamb Mount

**STEP 4.** Remove all dust and debris from anchor holes [per included Anchor Manufacturer's technical manual](#).

**STEP 5.** Installation of internally threaded anchors. [Follow Anchor Manufacturer's technical data manual/ installation instructions for installation requirements and proper installation procedures](#).

- a. Fill anchor holes with supplied anchor epoxy before inserting post-installed internally threaded inserts. Nylon set screws (not shown) are provided for inserts when jambs are not in use.
- b. Clean-up excess anchor epoxy.

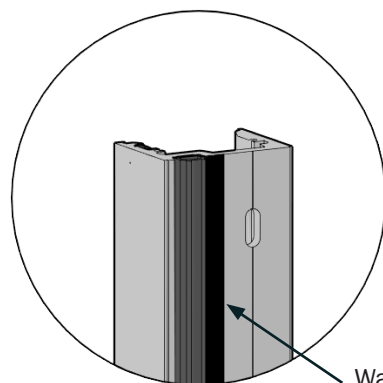
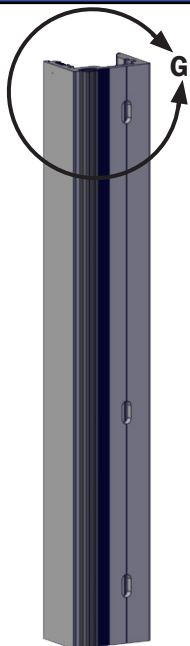
**IMPORTANT!** Let epoxy fully set before proceeding: [required time as specified per Anchor Manufacturer's technical manual](#).



**STEP 6.** Before placing jamb against existing structure.

- a. Set base of jamb in a continuous bed of removable sealant to create a watertight joint. Ensure wall is flat, smooth, and free of cracks and defects to allow the compression gasket (Detail G) to create a watertight seal with the wall and floor.

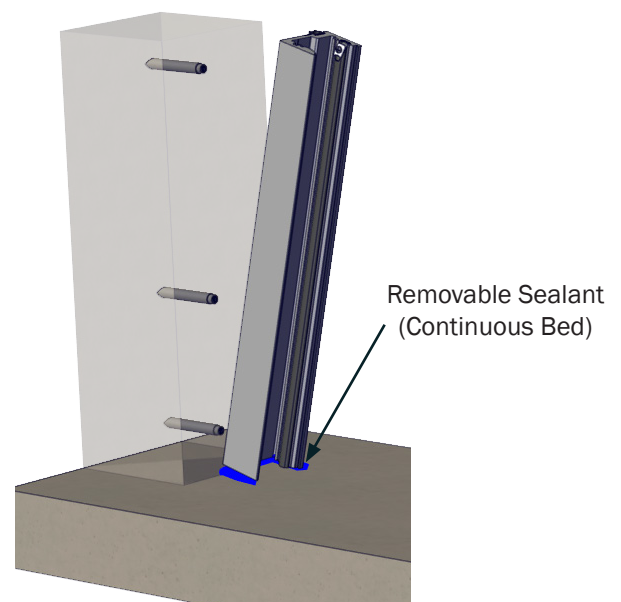
**Step 6 Illustration A**



**DETAIL G**

Wall Gasket  
(No Swell Paste required)

**Step 6 Illustration B**



Removable Sealant  
(Continuous Bed)

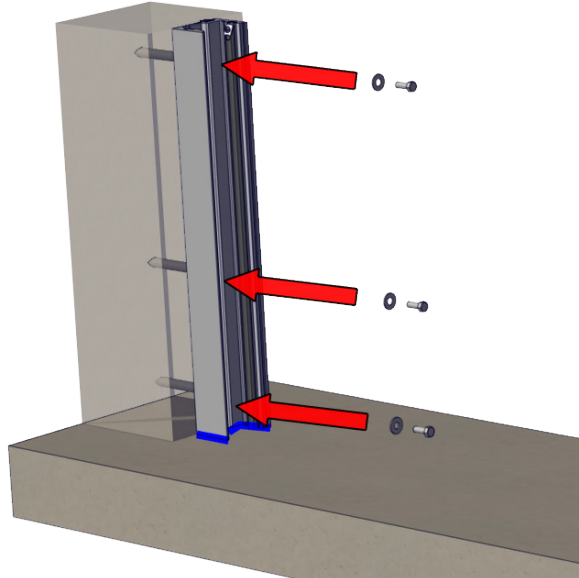
## Removable Jamb Installation

### In-Between Jamb Mount

#### STEP 7. Set jamb in place

- a. Completely thread-in supplied bolts into post-installed thread inserts.

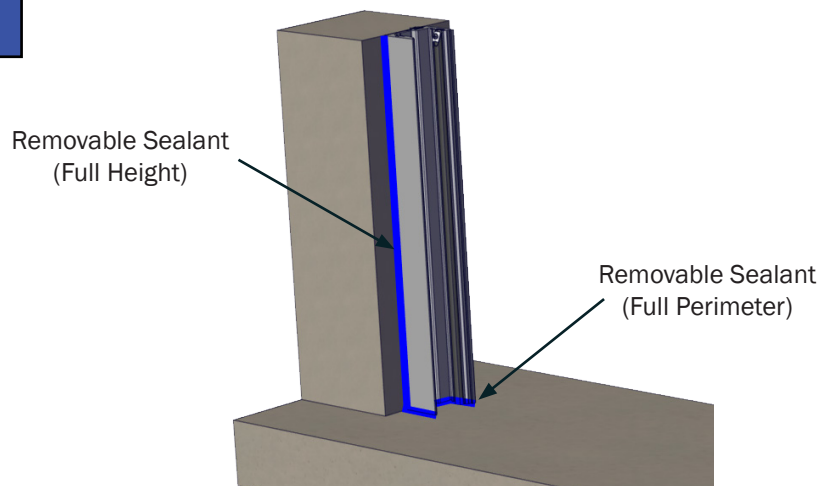
#### Step 7 Illustration



#### STEP 8. Apply removable sealant to each side of jamb (full height) against existing structure and bottom of jamb (full perimeter) to create a watertight joint.

- a. Clean-up excess sealant that could prevent the bottom flood plank gasket from sealing to the sill.

#### Step 8 Illustration



#### STEP 9. Installation of second jamb

- a. Repeat Steps 1 through Steps 8 for opposite Jamb. See Approved for Construction Drawings for dimensions.

**NOTICE** PS Flood Barriers recommends completing installation steps fully, testing, and completing a Training Drill for activation prior to storage of Removable Flood Barrier System.

# Flood Plank Installation

## Deployment

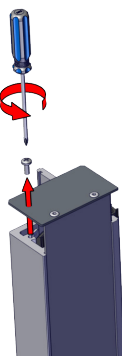
### XIV. Plank Deployment Procedure

**NOTICE** Operation in a manner other than intended could result in damage or less than acceptable performance at time of need for which the manufacturer will not be held responsible.

**NOTE: Conduct Inspection and Maintenance activities as described in this Operation and Maintenance Manual, at a minimum, annually and seasonally if seasonal flood conditions exist, prior to the flood season. This may require the replacement of gaskets, sealants, anchors, and accounting for all of the latching devices.**

**STEP 1.** Remove cover assembly from jambs.

#### Step 1 Illustration

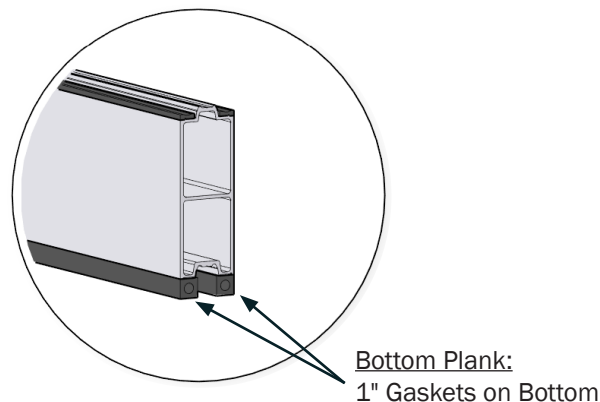
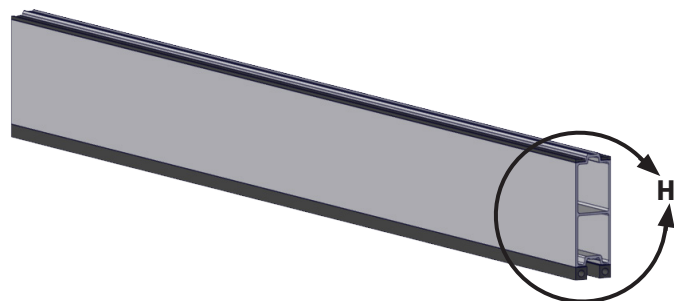


**STEP 2.** Lube Jamb Seals (recommended to allow flood plank to slide more easily into the jambs)  
a. Using a spray bottle filled with a water-dish soap mixture. This may need to be repeated as planks are placed in the jamb. Keep jamb gaskets moist during Flood Plank Deployment.

**STEP 3.** Remove all debris from sill/gasket sealing surface.

**STEP 4.** The bottom plank is unique and must be installed first.  
a. Locate the flood plank that is labeled "bottom" flood plank, as shown in the Bottom Plank Detail H. The ends of the gaskets have two thick (1") gaskets mounted to the bottom of the plank.

#### Step 4 Illustration



**BOTTOM PLANK  
DETAIL H**

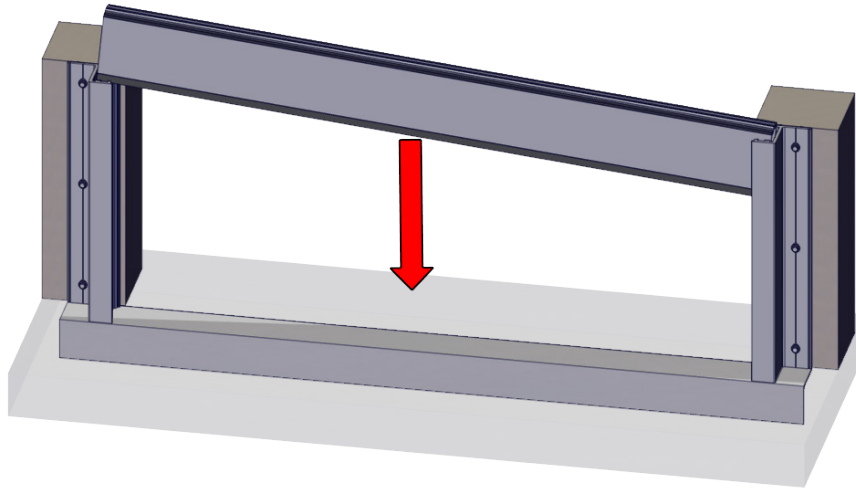
# Flood Plank Installation

## Deployment

### STEP 5. Installation of bottom plank.

- a. Place one corner of the bottom plank into the bottom corner of the jamb.
- b. Angle the opposite end of the plank upward until it clears the opposite jamb.
- c. Slide into the jamb, taking care to not tear the jamb gasket.
- d. Level plank and slide down to sill/gasket sealing surface.
- e. Center plank evenly between jambs, ensuring plank fully overlaps the jamb gasket.

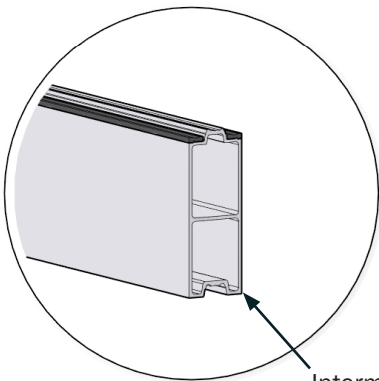
#### Step 5 Illustration



### STEP 6. Install intermediate planks in the same manner as the bottom plank, ensuring contact with plank below.

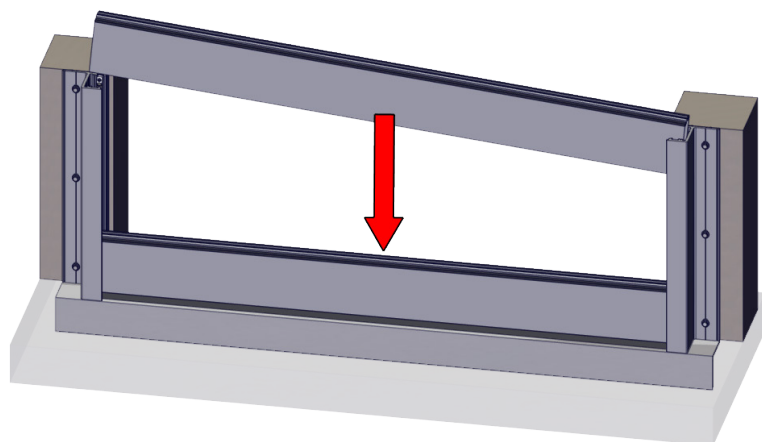
- a. Ensure each additional plank is fully seated onto the plank below by inspecting for continuous and uniform plank gasket contact between planks. If this is not achieved; remove and re-install the plank before installing subsequent planks.

#### Step 6 Illustration



Intermediate Plank:  
No Gasket on Bottom

#### INTERMEDIATE PLANK DETAIL



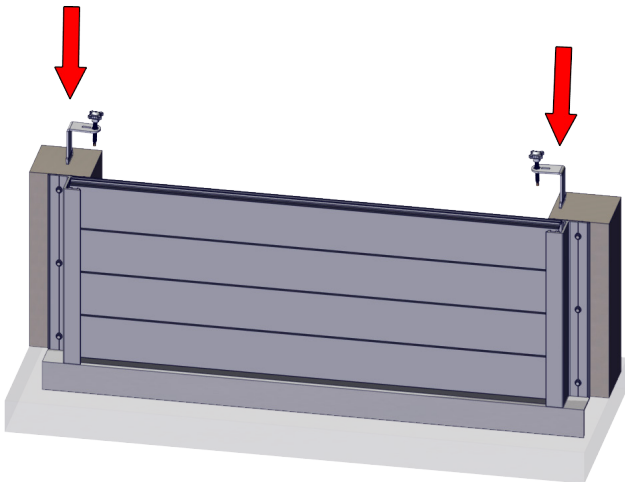
# Flood Plank Installation

## Deployment

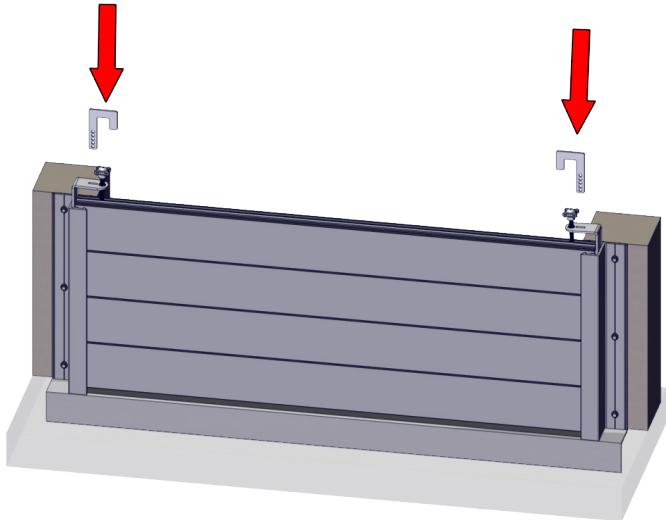
**STEP 7.** Install latching, making certain to tighten both latch sides evenly to compress planks uniformly. Refer to your Approved for Construction Drawings to determine the type of latching supplied for your Flood Plank.

**NOTICE** Use of supplied Plank Latch Lock is optional, recommended in locations where tampering of Flood Plank is prevalent. (Shown in Illustration D and Illustration E)

**Step 7  
Illustration A**

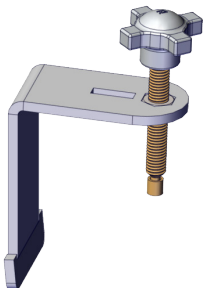


**Step 7  
Illustration B**

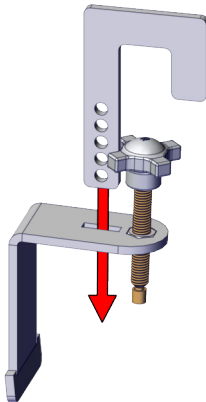


**NOTE:** PS Flood Barriers requires tightening the Latch Spin Knob to a torque of 40 in-lbs for proper plank gasket compression. \*Torque wrench supplied by others, NOT PS Flood Barriers.

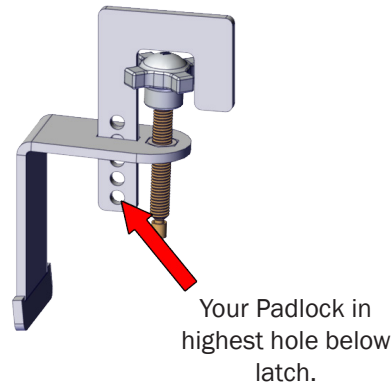
**Step 7  
Illustration C**



**Step 7  
Illustration D**



**Step 7  
Illustration E**



# Flood Plank Installation

## Removal

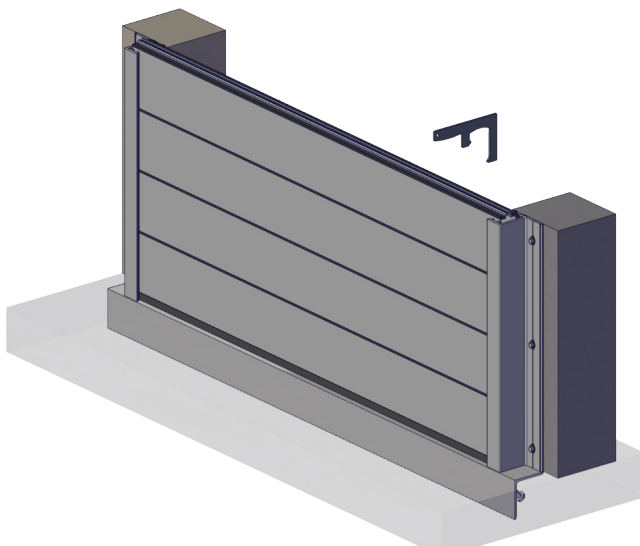
### XV. Plank Removal Procedure

**NOTICE** Operation in a manner other than intended could result in damage or less than acceptable performance at time of need for which the manufacturer will not be held responsible.

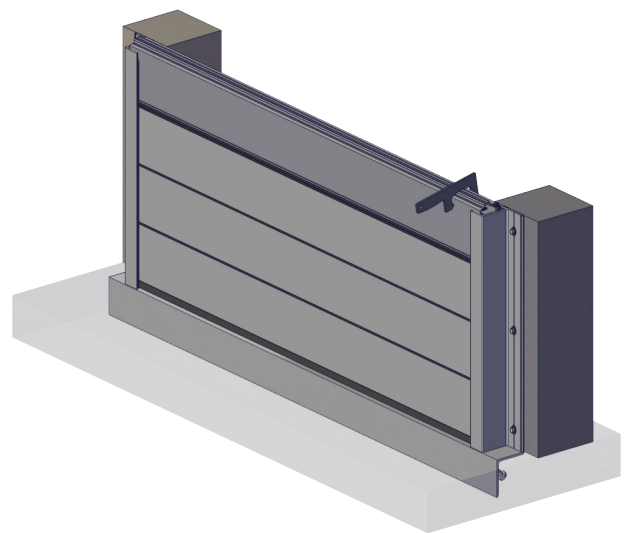
**NOTE:** *Inspect all components of the Flood Plank before storage, making sure to properly clean and remove contaminants. Contact PS Flood Barriers at 877-446-1519 for purchase of replacement components, if necessary.*

- STEP 1.** If planks have been deployed for an extended period of time, spray/hose water to moisten plank/jamb gaskets prior to removal.
- Place plank removal tool on the top plank, shown in Illustration A.
  - Rock back and forth until plank is released from the plank below, shown in Illustration B.
  - Remove plank, taking care not to damage jamb gasket.

**Step 1**  
**Illustration A**



**Step 1**  
**Illustration B**



**STEP 2.** Repeat Step 1 for all remaining planks.

**STEP 3.** Inspect all gaskets for damage, continuous adhesion to the attached surface, and proper position and compression before storage.

**CRITICAL** Do not compress gaskets during storage. Store all planks in a way that allows gaskets to be free of contact so the gaskets do not become mis-shaped and unusable.



## Inspection and Maintenance

### XVI. Inspection and Maintenance (Minimum Annually)

**IMPORTANT!** Consult Approved for Construction Drawings and Anchor Manufacture Technical Manual before replacing fasteners, as most have specific design load requirements.

#### A. Jambs, Sill Assembly:

1. Inspect components for damage and misalignment. Adjust, repair, or replace as needed, to meet original design tolerance.

#### B. Embedded Items:

1. Inspect all embedded components for corrosion, damage, and misalignment. Adjust, repair, or replace as needed, to meet original design tolerances.
2. Check all connections, making sure they meet original design standards (refer to Approved for Construction Drawings and Anchor Specifications).

#### C. Fasteners and mechanical connections:

1. All fasteners must be in place and adjusted to their original design standard, per included anchor manufacture technical manual.
2. Replace any damaged components (refer to Approved for Construction Drawings and Anchor Specifications).

#### D. Sealants and Waterstops:

1. Inspect all sealants used on jambs and connections to ensure their effectiveness.
2. Replace any cracked, loose, and otherwise non-performing sealants.
3. Use only factory approved/supplied products (refer to Approved for Construction Drawings).
  - a. Permanent Jamb factory approved sealant/waterstops: Sika; Sikaflex-227, Quellpaste Typ E.
  - b. Removable Jamb factory approved sealant/waterstops: Red Devil, Inc.; Zip-a-Way Removable Sealant

#### E. Gasket:

1. Inspect all gaskets for damage, and for continuous adhesion to the attached surface.
2. Visually inspect all gaskets for proper positioning, and compression.
  - a. Inspect all plank gaskets.
  - b. Inspect all jamb gaskets.
3. Replace or repair if damage or deterioration to gaskets has occurred.
4. Use only factory approved materials (refer to Approved for Construction Drawings).

#### F. Lock/Latch:

1. Operate all latching hardware to ensure smooth, uninhibited movement of all mechanical components.
2. Position flood barrier and check latches for proper engagement. If gaskets are not properly positioned and properly compressed, unlatch flood barrier panel and adjust latching accordingly.

#### G. Finishes:

1. Inspect all surfaces for signs of wear or corrosion and clean finishes periodically.
2. Touch up repair finishes, or refinish as necessary to protect the structural integrity.

#### H. Housekeeping:

1. Clean sill and jambs of any debris and keep the area clean throughout the Flood Plank opening.
2. For all surfaces (Industrial Enamel, Epoxy, Powder Coat finishes, Stainless Steel, Aluminum):
  - a. Make a mixture of warm water and a gentle dish soap, using a soft cloth/rag, scrub the jambs and planks.
  - b. Rinse off with water and dry with paper towel.
3. Clean all gaskets and seals with a soft rag with warm water and dry off with paper towel.

#### I. Labels and Placards:

1. Inspect all labels and placards.
2. Replace any labels and placards which are unreadable/missing.

# Inspection and Maintenance Log

**CRITICAL** Periodic Inspection and Maintenance Required. Inspect at minimum annually.

Date Purchased: \_\_\_\_\_

Product: \_\_\_\_\_

Model Number: \_\_\_\_\_

Serial Number: \_\_\_\_\_

Opening Identifier/ Number: \_\_\_\_\_

Location: \_\_\_\_\_

<b>DATE INSPECTED</b>	<b>INSPECTED BY <i>(Print &amp; Sign)</i></b>	<b>INSPECTION ITEMS NOTED</b>	<b>CORRECTIVE ACTION</b>	<b>CORRECTED BY <i>(Print &amp; Sign)</i></b>

# PS FLOOD BARRIER WARRANTY REGISTRATION FORM

**PS Flood Barriers™ Product Warranty Registration:** For PS Flood Barriers™ Products, the Limited Warranty will only be valid if the Owner completes, and returns, this PS Flood Barrier Warranty Registration Form within thirty (30) days of Product installation.

To request additional copies of the Warranty Registration Form, contact PS Industries™ Incorporated, 1150 S. 48th Street, Grand Forks, ND 58201, phone 877-446-1519, email: 4psinfo@psindustries.com. For a fillable form, download a copy from [www.psfloodbarriers.com/download-center/](http://www.psfloodbarriers.com/download-center/) To register online: [www.psindustries.com/contact/register-your-product/](http://www.psindustries.com/contact/register-your-product/)

**The following information is required:**

Owner Name: \_\_\_\_\_ Product Name: \_\_\_\_\_

Company: \_\_\_\_\_ Model: \_\_\_\_\_

Address: \_\_\_\_\_ Serial Number: \_\_\_\_\_

State/Provence: \_\_\_\_\_ Date Installed: \_\_\_\_\_

Zip/Postal Code: \_\_\_\_\_

Country: \_\_\_\_\_

Although testing of flood barriers is not required, PS Industries™ Incorporated recommends testing flood barriers after installation to verify the suitability of the installation and ensure proper adjustment of flood barrier for optimum performance.

**The following information and signatures are required to ensure warranty coverage of installed product.**

- Was the flood barrier field tested after installation?  Yes  No
- If tested, which type(s) of testing was conducted?
  - Hose Test per PS Flood Barriers testing procedure.
  - Hydrostatic Test per PS Flood Barriers testing procedure.
  - Other Testing Method (*describe below*):

\_\_\_\_\_

\_\_\_\_\_  
Owner or Installer Name (Please print.)

\_\_\_\_\_  
Test Witness Name (Please print.)

\_\_\_\_\_  
Signature

\_\_\_\_\_  
Signature

\_\_\_\_\_  
Date

\_\_\_\_\_  
Date

Return form to:

PS Flood Barriers  
Attention: Warranty  
1150 S. 48th Street  
Grand Forks, ND 58201

Fax: 701-746-8340  
E-mail: 4psinfo@psindustries.com

*(Make additional copies as necessary)*

Rev. 022119



**877.446.1519**

**4psinfo@psindustries.com | psfloodbarriers.com**  
**1150 South 48th Street | Grand Forks, ND 58201**

**Product Registration:**  
**[psindustries.com/contact/register-your-product](https://psindustries.com/contact/register-your-product)**