

**NOTES**

**1 STORAGE-HANDLING**

DO NOT STORE FLOOD BARRIERS IN A MANNER THAT WILL COMPRESS GASKETS, OR THAT WILL CAUSE DAMAGE TO GASKETS.

**2 INSTALLATION**

REFER TO ALL MANUFACTURERS' INSTALLATION NOTES AND DRAWINGS. INSTALL PLUMB, SQUARE, AND LEVEL, INSURING CONTINUOUS AND EVEN GASKET CONTACT. DO NOT DRILL OR PENETRATE ANY SURFACES OF SHIELDS WITHOUT CONSULTING MANUFACTURER. USE ONLY FASTENERS AND SEALANT PROVIDED BY THE MANUFACTURER.

**3 MAINTENANCE-INSPECTION**

PERIODIC INSPECTION AND MAINTENANCE OF FLOOD BARRIER INSTALLATIONS, INCLUDING SEALANTS, GASKETS, ANCHORS, AND OPERATING HARDWARE, IS THE RESPONSIBILITY OF THE OWNER.

**4 STRUCTURAL REVIEW**

STRUCTURAL REVIEW OF ADJACENT STRUCTURE'S CAPACITY TO WITHSTAND ALL FLOOD BARRIER SERVICE LOADS TRANSFERRED TO STRUCTURE IS BY OTHERS (NOT PS DOORS).

**5 PERFORMANCE**

FLOOD BARRIERS ARE DESIGNED TO CONTROL SHORT TERM HYDROSTATIC WATER LOADS (64 PCF) UP TO THE DESIGNED WATER HEIGHT NOTED ON THE DRAWINGS. NO ALLOWANCES HAVE BEEN INCLUDED TO CONTROL WAVE SURGE LOADS OR OTHER IMPACT LOADS UNLESS SPECIFICALLY DETAILED ON THE DRAWINGS. ALL LOADS ARE TRANSFERRED TO THE BUILDING STRUCTURE. ALWAYS ALLOW FOR CONTROL OF ANY LEAKAGE AND CONDENSATION THAT WILL OCCUR DURING HIGH WATER SITUATIONS. IN APPLICATIONS WHERE THE FLOOD BARRIER GASKETS CONTACT THE EXISTING BUILDING STRUCTURE, FLOORS, ETC. ALL SURFACES MUST BE SOUND, FLAT/LEVEL AND WITHOUT BLEMISH FOR BEST PERFORMANCE.

**FIELD VERIFICATION IS REQUIRED BY OTHERS (NOT PS DOORS)**

- 1 ALL DIMENSIONS AND INTERFERENCES.
- 2 JAMB CONDITIONS AND STRUCTURAL CAPACITY OF STRUCTURE.
- 3 ANCHOR LOCATIONS AND MINIMUM REQ'D EDGE/END DISTANCES, SPACING, EMBEDMENT DEPTHS, AND INSTALLTION PROCEDURE SPECIFIED IN THE ANCHOR MANUFACTURER'S TECHNICAL INFORMATION MANUAL.

**DESIGN CRITERIA**

**DESIGN LOADS**

(ALL LOADS TRANSFERRED TO STRUCTURE)  
- HYDROSTATIC LOADS TO ELEV. AS INDICATED ON DRAWINGS, BASED ON HYDROSTATIC WATER LOAD (64 PCF).

**MATERIALS**

- ALUMINUM:** 5052-H32, 6005A-T5, 6061-T6, 6063-T6
- STAINLESS STEEL:** TYPE 304
- FASTENERS:** ZINC PLATED (UNLESS OTHERWISE NOTED)
- GASKETS:** EPDM

**FINISHES**

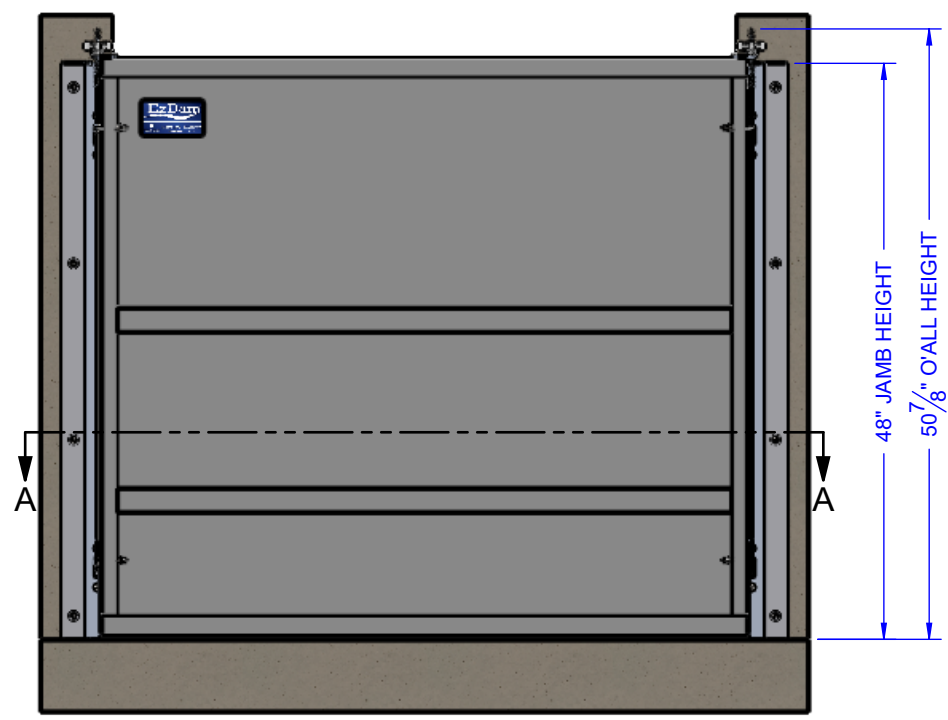
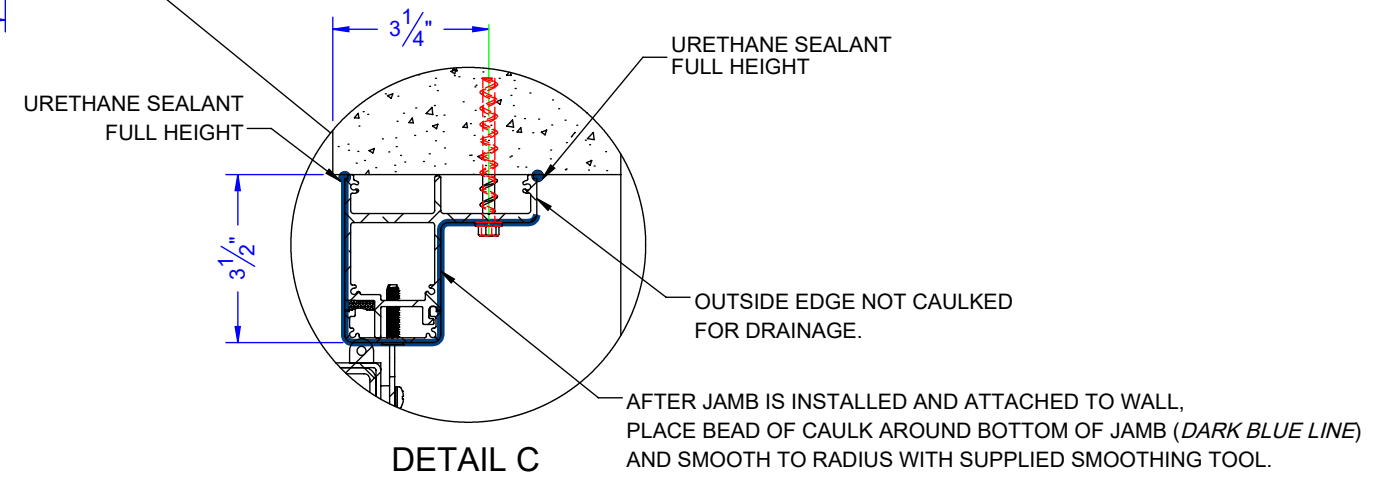
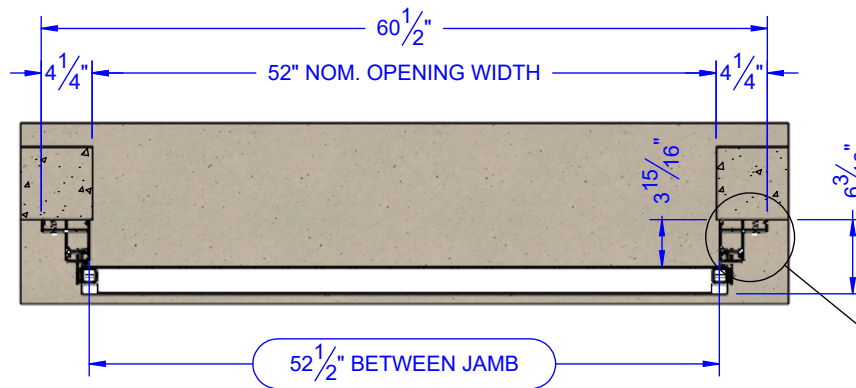
- ALUMINUM:** RAW, MILL FINISH
- STAINLESS STEEL:** RAW, MILL FINISH

**WELDS**

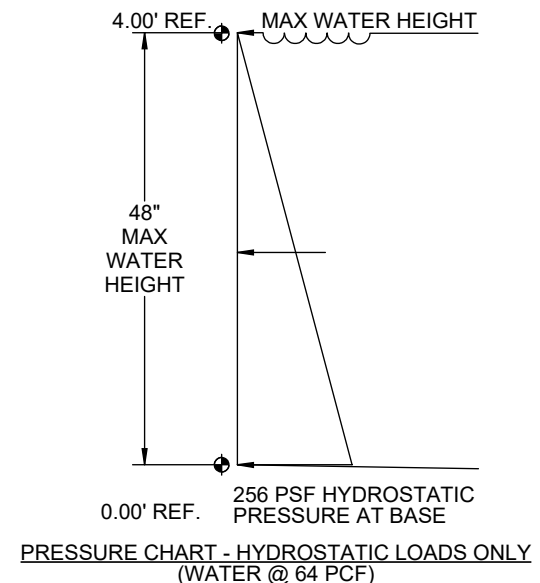
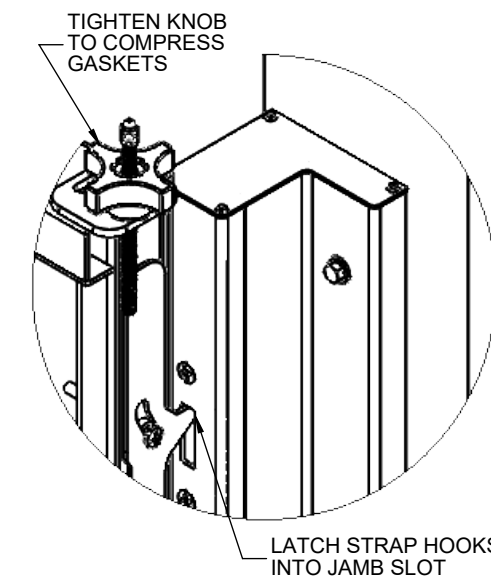
EXPOSED, INTERFERING WELDS ARE GROUND, NOT FILLED OR POLISHED

**FACTORY WELDS:**

- ALUMINUM; ELECTRODE ER4043
- MILD STEEL; ELECTRODE ER70S-6
- STAINLESS STEEL; ER308LSI



WET SIDE - ELEVATION VIEW



B.O.M. IS FOR QTY - 1				
ITEM NO.	PART NO.	DESCRIPTION	Qty	U/M
1	513999	EZD;JAMB ASSEMBLY KIT 4'	1	EA
1.1	513999-1	EZD;EXTRUDED JAMB ASSEMBLY 4'	2	EA
1.2	513399	ANCHOR;SCREW KH-EZ 1/4" X 3"	8	EA
1.3	512843	STICK;WOOD 3/8"X1/16"X4-1/2"	1	EA
2	513212	EZD;4FT PANEL ASSEMBLY 54"	1	EA
3	509809	SEALANT; POLYURETHANE, GRAY	1	EA
4	513259	EZD;INSTALLATION/O & M MANUAL	1	EA

ESTIMATED PART/ASSY WEIGHT: 98.76 LBS.  
FINISH: MILL FINISH

C:\PS DOORS\PROJECTS\BLUE PROJECTS\EZD-600-5248 (STOCK)\GEN-EZD-600-5248; 6/27/2018

REV.	REVISIONS	DATE	REVISED BY	PROPRIETARY AND CONFIDENTIAL DRAWINGS ARE EXCLUSIVE PROPERTY OF PRODUCTION SPECIALTIES CORPORATION PS DOORS AND CANNOT BE USED IN WHOLE OR PART WITHOUT WRITTEN CONSENT. © 2018 PS DOORS ALL RIGHTS RESERVED	DOOR/OPENING NAME:	SN:	SALES ORDER #:	QTY:	DATE: 6/27/2018	<p><b>PS DOORS</b> MANUFACTURING DIVISION 1150 48th St. S GRAND FORKS, ND 58201 PH. 701-746-4519 FAX 701-746-8340</p>
					PRODUCT: EZD; EZ DAM 52"X48"	DWG STATUS: <b>APPROVED FOR CONSTRUCTION</b>		SCALE: NTS		
					CUSTOMER:	DWG #: GEN-EZD-600-5248				
					CUST PO #:	DWG BY: ceast	CHECKED: /			
					SALES ORDER NAME:				SHEET # 1 OF 1 REV: E	