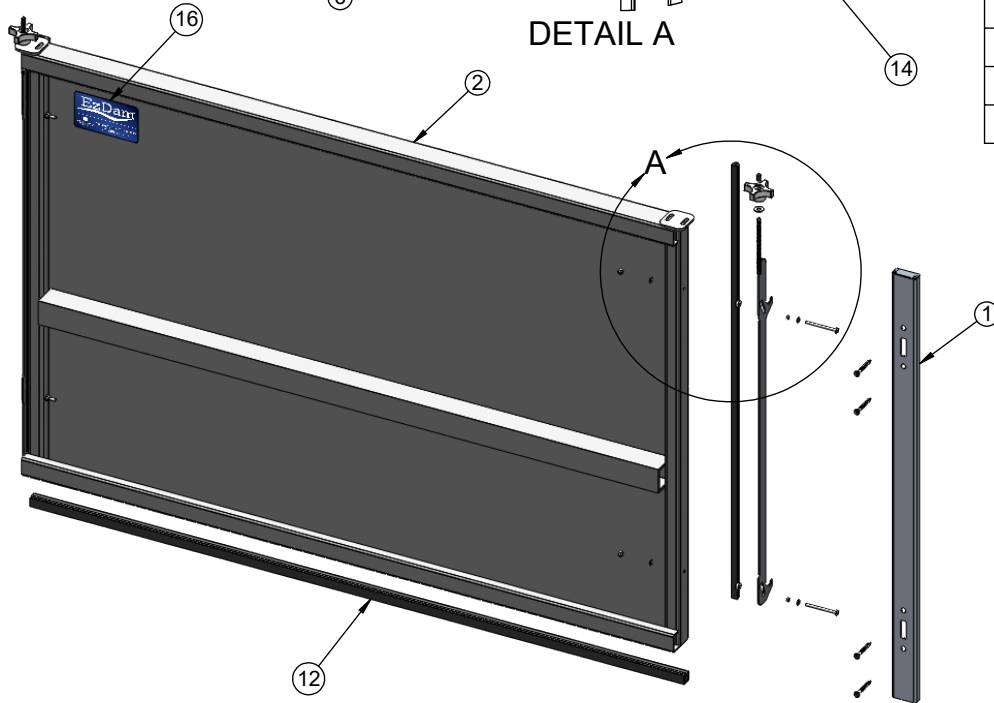
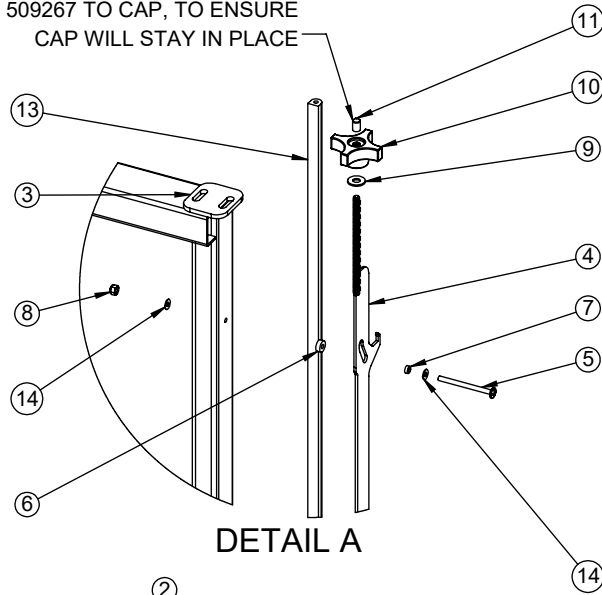



APPLY INSTANT ADHESIVE
509267 TO CAP, TO ENSURE
CAP WILL STAY IN PLACE



B.O.M. IS FOR QTY - 1

ITEM NO.	PART NO.	DESCRIPTION	Qty	U/M
1	513937	EZD;JAMB ASSEMBLY KIT	1	EA
2	511743	EZD;PANEL STRUCTURE 54"	1	EA
3	511278	EZD;LATCH PLATE	2	EA
4	511279	EZD;LATCH STRAP	2	EA
5	512795	SCREW;TRUSSPHMACH10-24X2-1/2SS	4	EA
6	511271	SPACER;.5OD .192ID X .1875	4	EA
7	511272	SPACER;.3125OD .192ID X .125	4	EA
8	503900	NUT;NYLOCK #10-24 SS	4	EA
9	508032	WASHER;FLAT 1/4"SS	2	EA
10	512301	KNOB;FOUR-ARM NYLON 1/4"-20	2	EA
11	511310	CAP;VINYL 1/4"-5/16" BLACK	2	EA
12	512642-511741	EZD SILL GASKET	1	EA
13	509377-511741	EZD JAMB GASKET	2	EA
14	512796	WASHER;NYLON, #10 SCREW	8	EA
15	509809	SEALANT; POLYURETHANE, GRAY	1	EA
16	513258	EZDAM;DECAL	1	EA

WO:	FINISH:
SN:	PART #: EZD-600-52
UNLESS OTHERWISE SPECIFIED LINEAR ± .0312" (1/32") CUTOUT ± .0156" (1/64") SQUARENESS ± .0625" (1/16") ANGULAR ± .5°	DATE: 6/27/2018 SCALE: NTS SHEET #: 1 OF 1
PRODUCT DESCRIPTION: EZD-600, 52" SHIP TO: SOLD TO: DWG STATUS:	ESTIMATED PART WEIGHT: 43.26 LBS. DWG #: EZD-600-52_PARTS DWG BY: ceast
FOLDING MACHINE PROGRAM #: PRESS BRAKE PROGRAM #: WATERJET PROGRAM #:	PROJECT NAME: SALES ORDER # CHECKED: GS / 01/21/13 REV: E
 1150 S 48th ST GRAND FORKS, ND 58201 PH. 701-746-4519 FAX 701-746-8340	

PROPRIETARY AND CONFIDENTIAL DRAWINGS ARE
EXCLUSIVE PROPERTY OF PRODUCTION SPECIALTIES
CORPORATION, dba PS DOORS AND CANNOT BE USED IN
WHOLE OR PART WITHOUT WRITTEN CONSENT © 2018
PS DOORS ALL RIGHTS RESERVED