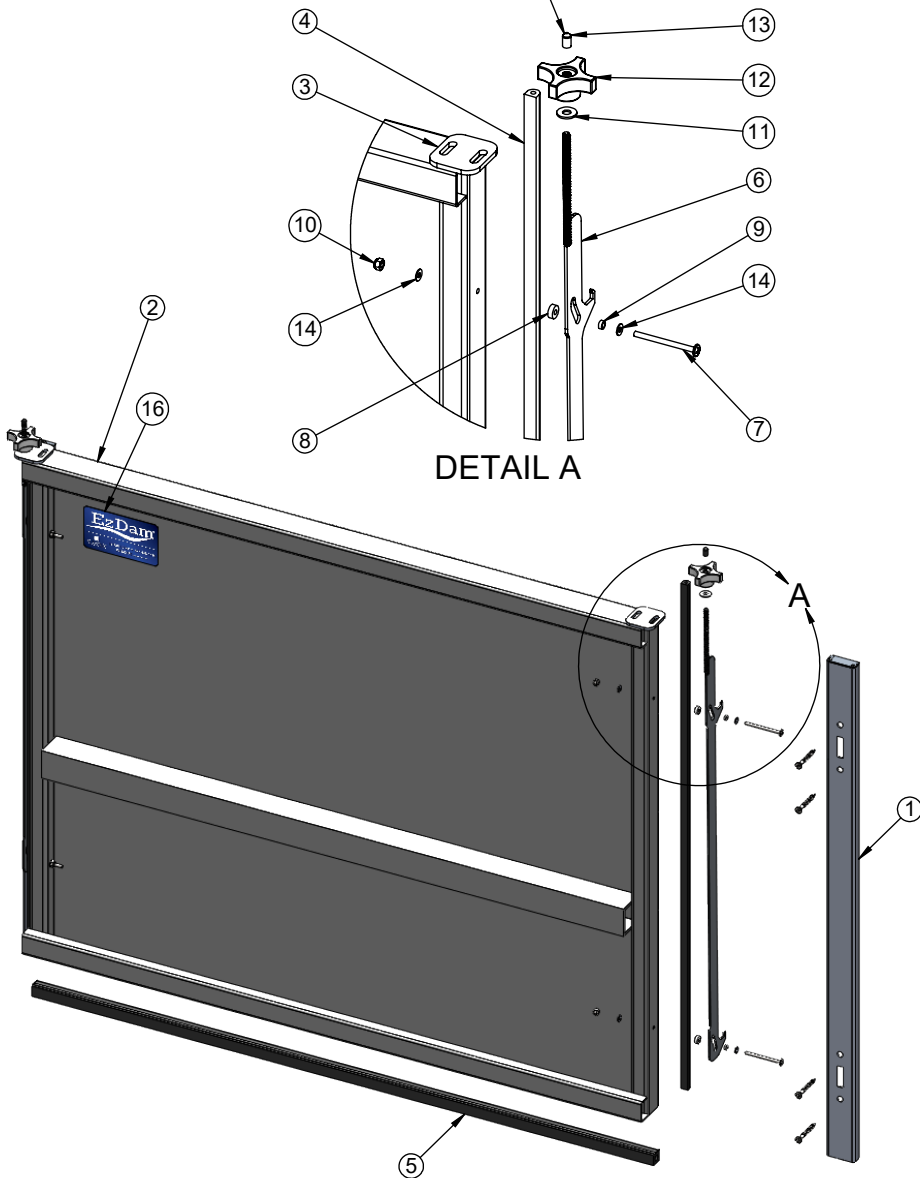


APPLY INSTANT ADHESIVE 509267 TO CAP, TO ENSURE CAP WILL STAY IN PLACE



B.O.M. IS FOR QTY - 1

ITEM NO.	PART NO.	DESCRIPTION	Qty	U/M
1	513937	EZD;JAMB ASSEMBLY KIT	1	EA
2	511277	EZD;PANEL STRUCTURE 44"	1	EA
3	511278	EZD;LATCH PLATE	2	EA
4	509377-511276	EZD JAMB GASKET	2	EA
5	512642-511276	EZD BOTTOM SILL GASKET	1	EA
6	511279	EZD;LATCH STRAP	2	EA
7	512795	SCREW;TRUSSPHMACH10-24X2-1/2SS	4	EA
8	511271	SPACER;.50D .192ID X .1875	4	EA
9	511272	SPACER;.3125OD .192ID X .125	4	EA
10	503900	NUT;NYLOCK #10-24 SS	4	EA
11	508032	WASHER;FLAT 1/4"SS	2	EA
12	512301	KNOB;FOUR-ARM NYLON 1/4"-20	2	EA
13	511310	CAP;VINYL 1/4"-5/16" BLACK	2	EA
14	512796	WASHER;NYLON, #10 SCREW	8	EA
15	509809	SEALANT; POLYURETHANE, GRAY	1	EA
16	513258	EZDAM;DECAL	1	EA

WO:	FINISH:
-----	---------

PROPRIETARY AND CONFIDENTIAL DRAWINGS ARE EXCLUSIVE PROPERTY OF PRODUCTION SPECIALTIES CORPORATION, dba PS DOORS AND CANNOT BE USED IN WHOLE OR PART WITHOUT WRITTEN CONSENT © 2018 PS DOORS ALL RIGHTS RESERVED

FOLDING MACHINE PROGRAM #:
PRESS BRAKE PROGRAM #:
WATERJET PROGRAM #:

PRODUCT DESCRIPTION: EZD-600, 42"

SHIP TO:
SOLD TO:

PROJECT NAME:
SALES ORDER #

DWG STATUS: **FOR REFERENCE ONLY**

ESTIMATED PART WEIGHT: **38.19 LBS.**
DWG #: EZD-600-42_PARTS
DWG BY: ceast

SN:

PART #: **EZD-600-42**

UNLESS OTHERWISE SPECIFIED
LINEAR ± .0312" (1/32")
CUTOUT ± .0156" (1/64")
SQUARENESS ± .0625" (1/16")
ANGULAR ± .5°

DATE: 6/27/2018
SCALE: NTS
SHEET #: 1 OF 1

CHECKED: GS / 01/21/13
REV: **E**

1150 S 48th ST
GRAND FORKS, ND 58201
PH. 701-746-4519
FAX 701-746-8340