

# EDGEHALT®

## Ladder Safety Gate



### Quick Start Installation Guide

(Full Installation and O&M Manual online)

#### Website

pssafetyaccess.com

#### Toll Free Phone

877.446.1519



#### Models:

LSG-1520

LSG-2030

LSG-3040

LSG-4050

Scan for full O&M



**IMPORTANT!** This is an abbreviated manual for installation into a typical guardrail/railing systems. In all cases the installer and end-user should read the entire O&M and Installation Manual for detailed installation requirements and operation and maintenance guidelines.

#### I. Product Information

- Retain this manual for future reference.
- To download a copy of the full O&M, scan above QR Code, go to website: <https://www.pssafetyaccess.com/o-m/edgehalt-ladder-safety-gate/>; or pssafetyaccess.com to request an O&M download.
- This product should be used by trained employees only and should not be installed in an area accessible to the general public.

**NOTICE** This product is a fall protection product. The effectiveness of the product is directly related to the proper installation and operation of this product. Failure to properly maintain this product **will** affect performance.

**NOTICE** Unauthorized modification of or to the Product voids this Limited Warranty. Authorized modifications, received in writing from PS Industries® Incorporated, as long as the modification is accomplished in strict accordance with PS Industries' instructions, does not void warranty. If this product is modified or altered without manufacturer's permission, manufacturer is no longer responsible for the product design, engineering, or performance and owner assumes all responsibility. To request product modifications contact PS Industries Incorporated, 1150 S. 48th Street, Grand Forks, ND 58201, phone 877-446-1519, email: 4psinfo@psindustries.com

#### II. Safety Precautions

- Ensure opening is clear of all obstructions through the entire proposed travel of the Ladder Safety Gate during operation.
- Comply with all OSHA and ANSI Safety Regulations and/or company safety policies when installing.

**IMPORTANT!** Due to variances in field conditions, it is the responsibility of the installer to ensure that the product is installed to a mounting surface that is capable of supporting all imposed loading from the product. The installer is responsible for ensuring that the field configured mounting arrangement is capable of supporting all field loads and meets applicable codes and regulations.

**⚠ CAUTION** For products that are approved for use as a means of fall protection, the product only serves as a means of fall protection when the product is in the closed position.

**⚠ WARNING** Do **NOT** force components if they do not operate freely.

**⚠ DANGER** Ensure area below installation is blocked off from personnel during installation.

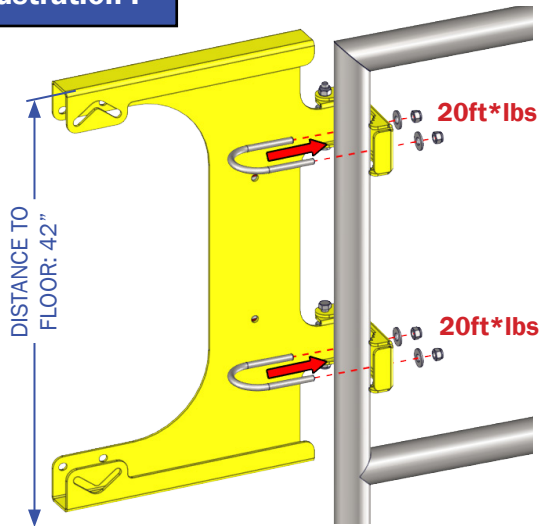


# Standard Square or Round Installation

**NOTICE** Alternate mounting configurations detailed in full O&M available online.

- STEP 1.** Hang Hinge Plate, align top of railing or 42" to floor.
- a. Install Hinge Brackets at 90° to the gate opening.

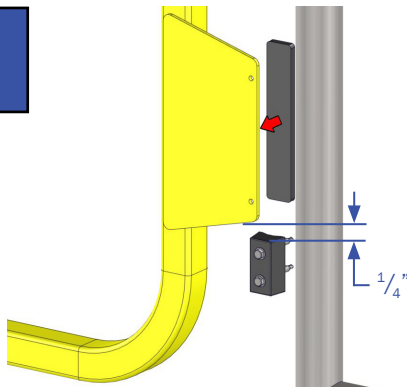
**Step 1  
Illustration I**



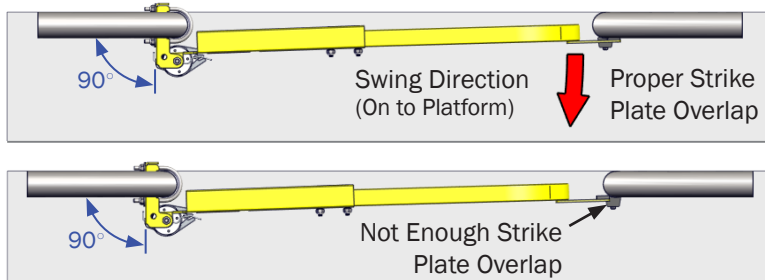
**STEP 3.** Apply Bumper, install Strike Block.

**NOTICE** Strike Block to support 200 lbs downward OSHA loading.

**Step 3  
Illustration I**



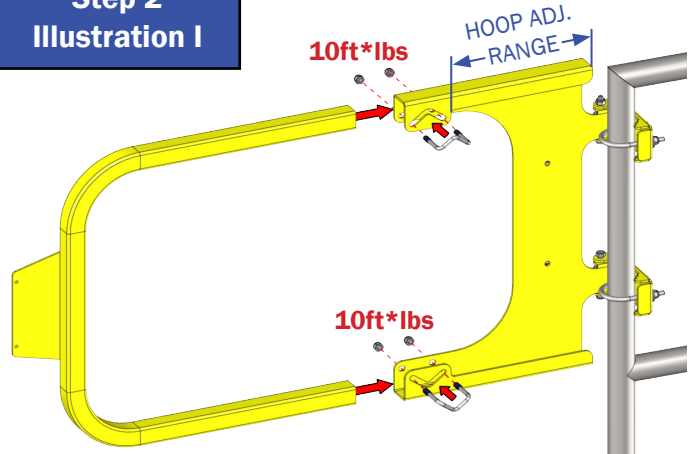
**FINISHED GATE  
TOP VIEW**



**STEP 2.** Install Hoop.

**CRITICAL** End of gate tube must be installed within "HOOP ADJ. RANGE".

**Step 2  
Illustration I**



**STEP 4.** Install Slam-Proof™ Damper Kit.

- ① **Loosen** nut on the hinge bolt; DON'T fully remove nut.
- ② **Push** hinge bolt up to expose head of hinge bolt.
- ③ **Slide** Damper Stud onto bolt head (not nut) and align pin of Damper Stud into receiving hole in hinge bracket.
- ④ **Tighten** nut of hinge bolt to snug Damper Stud onto hinge bracket. Over-tightening will prevent friction-free hinge movement.
- ⑤ **Slide** Damper onto Damper Stud. Pivot gate to create alignment.
- ⑥ **Install** the O-ring over Damper Stud to secure Damper in place.

**Step 4  
Illustration I**

