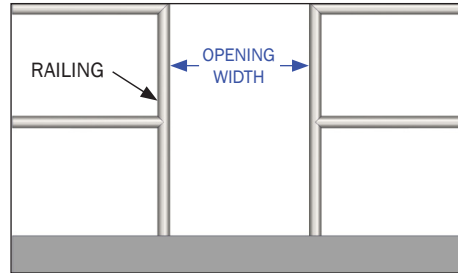
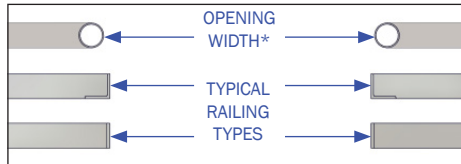


# ADJUSTABLE SAFETY GATE MEASURING GUIDE & ORDER FORM



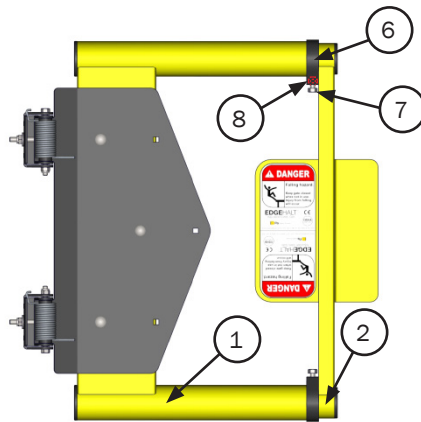
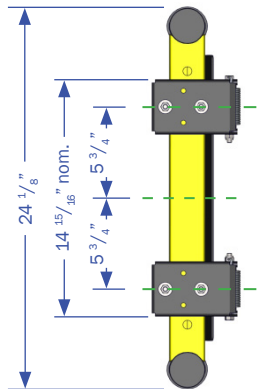
1150 S. 48<sup>TH</sup> STREET, GRAND FORKS, ND 58201  
**Phone:** 701.746.4519 | **Toll Free:** 877.446.1519  
**Website:** pssafetyaccess.com  
**Email:** 4psinfo@psindustries.com



\*If bolting to angle iron, flat bar or wall surface, Adjustable Safety Gate opening width changes to 20 1/2" to 38 1/2".

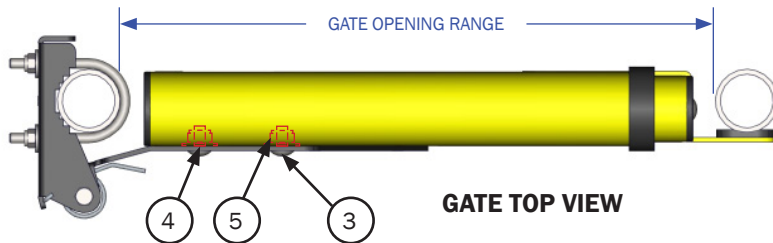
**RAILING TOP VIEW**

**RAILING FRONT VIEW**



**GATE SIDE VIEW**

**GATE FRONT VIEW**



**GATE TOP VIEW**

QUOTATION REQUESTED

ADJUSTABLE SAFETY GATE ORDER

**SOLD/QUOTE TO:**

NAME: \_\_\_\_\_

COMPANY: \_\_\_\_\_

ADDRESS: \_\_\_\_\_

CITY, STATE, ZIP: \_\_\_\_\_

PHONE: \_\_\_\_\_ FAX: \_\_\_\_\_

EMAIL: \_\_\_\_\_

**SHIP TO:**

NAME: \_\_\_\_\_ DATE: \_\_\_\_\_

ADDRESS: \_\_\_\_\_ P.O.#: \_\_\_\_\_

CITY, STATE, ZIP: \_\_\_\_\_ TAG: \_\_\_\_\_

PHONE: \_\_\_\_\_ SHIP VIA: \_\_\_\_\_

ITEM #	DESCRIPTION	QUANTITY
1	ASG;LARGE HOOP ASM	1
2	ASG;SMALL HOOP ASM	1
3	BOLT;CARRIAGE 5/16"X3/4"GR5	3
4	WASHER;FLAT 5/16" ZN	3
5	NUT;NYLOCK 5/16"18ZN	3
6	ASG;TUBE CLAMP RING ANO BLK	2
7	BOLT;HEX5/16"18X3/4GR5ZN	2
8	NUT;JAM 5/16"18 ZN	2

GATE MODEL/SIZE		GATE FINISH TYPE
MODEL	OPENING WIDTH* (Gate Will Fit Ranges Listed Below)	PCY
ASG-1836	18" to 36"	

-Put Gate quantity in white table cells.

\*If bolting to angle iron, flat bar or wall surface, Adjustable Safety Gate opening width changes to 20 1/2" to 38 1/2".

FINISH OPTION	
PCY	Powder Coat Safety Yellow