

SAFEMEZZ360™



Installation Instructions/Operation and Maintenance Manual

Models:

All Models



Table of Contents:

Safety Precautions	2
Product Information	2
Operation	4
Installation Instructions	4
Replacement Parts List	14
Replacement Parts Diagram	15
Inspection and Maintenance.....	17
Warranty Certificate	19

Contact Information

Mail

PS Safety Access
1150 South 48th Street
Grand Forks, ND 58201

Local Phone

701.746.4519

Website

pssafetyaccess.com

Hours of Operation

8 A.M. to 5 P.M. CT
Monday – Friday

Toll Free Phone

877.446.1519

Email

4psinfo@psindustries.com

IMPORTANT! Read entire Instruction and Operations Manual to become familiar with the product.

NOTICE This product is a fall protection product. The effectiveness of the product is directly related to the proper installation and operation of this product. Failure to properly maintain this product **will** affect performance.

Publication Notice

This manual has been compiled and published covering the latest product descriptions and specifications.

The contents of this manual and the specifications of this product are subject to change without notice.

PS Safety Access™ reserves the right to make changes without notice in the specifications and materials contained herein and shall not be responsible for any damages (including consequential) caused by reliance on the materials presented, including but not limited to typographical and other errors relating to the publication.

PS Safety Access and/or its respective suppliers may make improvements and/or changes in the product(s)/ service(s) offered and/or the program(s) at any time without notice.

Retain this manual for future reference.

If you would like to download a copy of this manual, please go to pssafetyaccess.com

Product registration is an essential step to protecting your product, register Online at psindustries.com/contact/register-your-product/



Safety Precautions

The following icons are used throughout this Manual.

- ▲ DANGER** Indicates an imminently hazardous situation which, if not avoided, will result in death or serious injury.
- ▲ WARNING** Indicates a potentially hazardous situation which, if not avoided, could result in death or serious injury.
- ▲ CAUTION** Indicates a potentially hazardous situation which, if not avoided, may result in minor or moderated injury.
- NOTICE** Indicates manufacturer's statement of additional information.
- IMPORTANT!** Indicates a required action.
- CRITICAL** Indicates a vital component to product performance.

Product Information

NOTICE Unauthorized modification of or to the Product voids this Limited Warranty. Authorized modifications, received in writing from PS Industries® Incorporated, as long as the modification is accomplished in strict accordance with PS Industries' instructions, does not void warranty. If this product is modified or altered without manufactures permission, manufacturer is no longer responsible for the product design, engineering, or performance and owner assumes all responsibility. To request product modifications contact PS Industries Incorporated, 1150 S. 48th Street, Grand Forks, ND 58201, phone 877-446-1519, email: 4psinfo@psindustries.com

I. General Information

- A. This manual contains information regarding installation, operation, and maintenance of the PS Safety Access' SafeMezz360™.
- B. PS Safety Access recommends that the owner implement a regular preventative maintenance program to inspect and maintain the SafeMezz360 at a minimum, in accordance with the recommendations in this manual.

II. Operation Guidelines

- A. The SafeMezz360 is designed to meet ANSI Standards including the MH28.3-2009 Section 6.4.3 requirement and A1264.1-2007.
- B. The SafeMezz360 is designed to meet OSHA Railing Standard 1910.23.
- C. Operation in a manner other than intended could result in damage or less than acceptable performance at time of need, for which the manufacturer will not be held responsible.

III. Safety Precautions

- A. Ensure opening is clear of all obstructions through the entire proposed travel of the SafeMezz360 during operation.
- B. Comply with all OSHA and ANSI Safety Regulations and/or company safety policies when installing.

▲ DANGER Ensure area below installation is blocked off from personnel during installation, and mounting surface is capable of supporting all loading. Structural analysis of mounting surface is the responsibility of the owner.

IV. Storage Prior to Installation of Product

- A. Store materials in a dry, ventilated location. If outdoor storage is required, block materials and tarp in a tent-like arrangement, elevated above the product with open sides to allow airflow.

V. Installation Site Preparation

NOTICE Before starting site preparation and installation of the SafeMezz360, read the entire Operation and Maintenance Manual and review all installation instructions thoroughly.

- A. Clear work area of any debris.
- B. Ensure you have the necessary tools available.
- C. Obtain all required permits.
- D. Personnel: Determine the appropriate number of personnel required to perform installation and have them readily available at the project site. (2-3 people recommended)

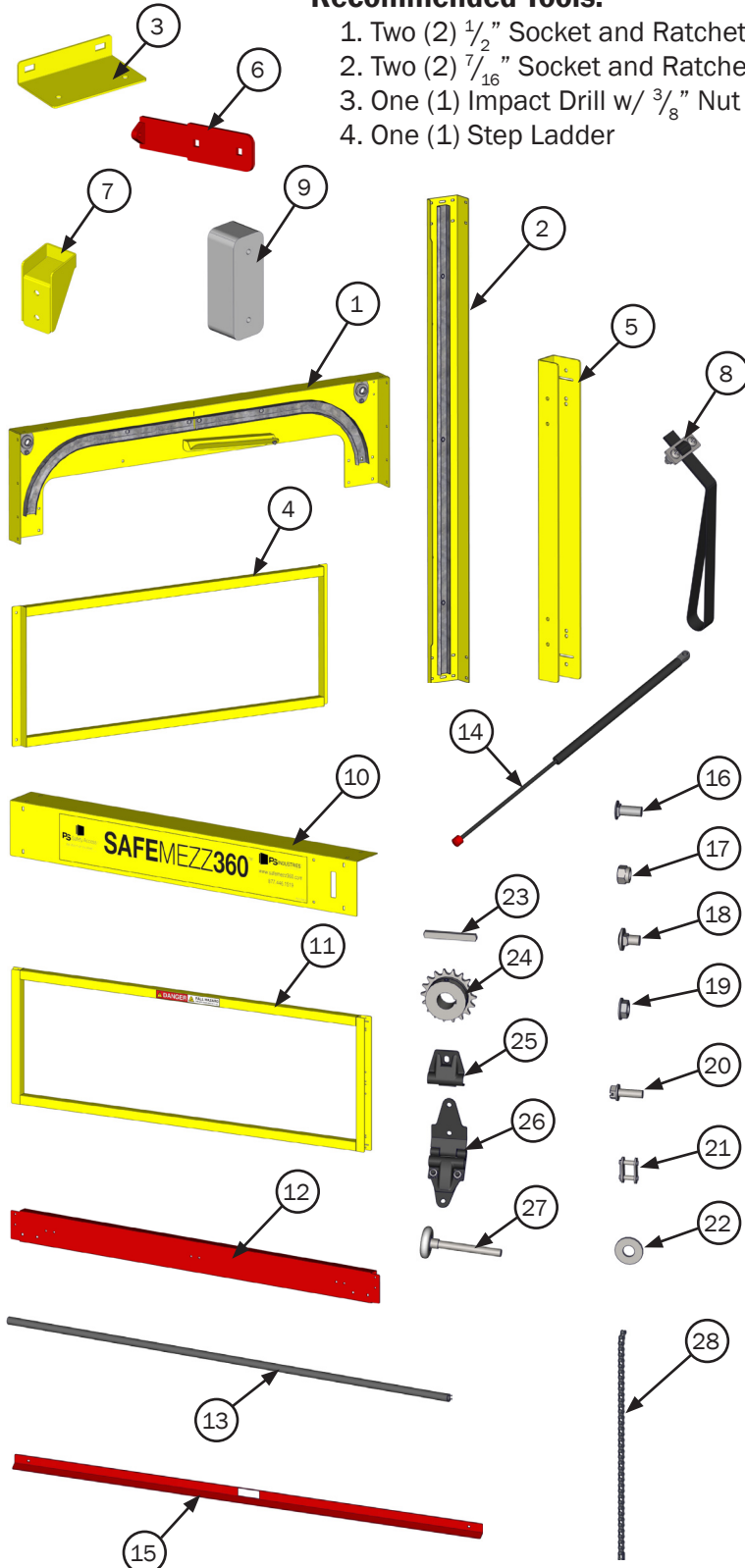
Product Information

E. Ensure all installation personnel utilize appropriate fall protection equipment and procedures during installation.

NOTE: Review inventory to ensure all parts are present for assembly/installation. Refer to part list below.

Recommended Tools:

1. Two (2) 1/2" Socket and Ratchet
2. Two (2) 7/16" Socket and Ratchet
3. One (1) Impact Drill w/ 3/8" Nut Driver
4. One (1) Step Ladder



**SafeMezz360 Box A Part List
(As shipped)**

ITEM #	DESCRIPTION	QTY
1	SMZ;SIDE HEADER ASM	2
2	SMZ;COLUMN ASM	4
3	SMZ;ANCHOR BRACKET PCY	4
4	SMZ;SIDE RAIL PCY	2
5	SMZ;TOEBOARD LINKAGE ARM PCY	4
6	SMZ;CHAIN MOUNT BRACKET PCR	4
7	SMZ;DAMPENER STRIKE PCY	2
8	SMZ;PULL STRAP ASM	1
9	SMZ;CHAIN RETAINER	4

**SafeMezz360 Box B or C Part List
(As shipped)**

ITEM #	DESCRIPTION	QTY
10	SMZ;FRONT HEADER PCY	2
11	SMZ;GATE PCY	2
12	SMZ;TOEBOARD PCR	2
13	SMZ;JACK SHAFT	2
14	SMZ;DAMPENER ASM	2
15	SMZ;TEMPORARY BRACE PCR	2

**Hardware Box Part List
(As shipped in Box A)**

ITEM #	DESCRIPTION	QTY
16	BOLT;TRACK5/16"18X3/4"ZN	4
17	NUT;NYLOCK 5/16"18 ZN	4
18	BOLT;CARRIAGE5/16"18X1/2,ZN	68
19	NUT;FLANGE 5/16"18ZN-CASE HARD	68
20	SCREW;HEXCUT1/4"20X3/4ZN	44
21	CHAIN CONNECT LINK # 41"	5
22	WASHER;FLAT 5/16"18ZN	4
23	KEY; SHAFT 1/4" X 3/8 X 3 STEEL	4
24	SPROCKET;41BS18X1"	4
25	CLAMP;ROLLER HOOK, BLACK	8
26	HINGE;END W/ ROLLER CLAMP, BLA	4
27	ROLLER;2" NYLON, 11-BALL	12
28	SMZ;CHAIN #41 *	2

*Chain Not to Scale.

Operation

VI. Operation

- A. To Open SafeMezz360:
 1. Lift up on the gate or pull strap (Illustration A).
- B. To Close SafeMezz360:
 1. Pull down on the gate or pull strap (Illustration B).

▲ DANGER NEVER OPERATE WITHIN THE PALLET DROP AREA WHEN THE EDGE IS EXPOSED (Illustration C).

Illustration A



Illustration B



Illustration C



Installation

VII. Installation

- A. The fully assembled SafeMezz360™ is modular and freestanding so that it can be assembled safely away from the mezzanine edge and moved into position prior to fastening it in its final position.

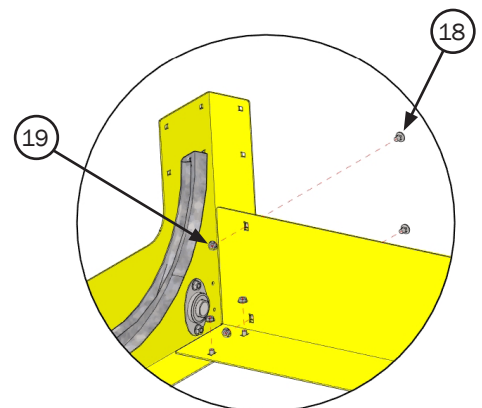
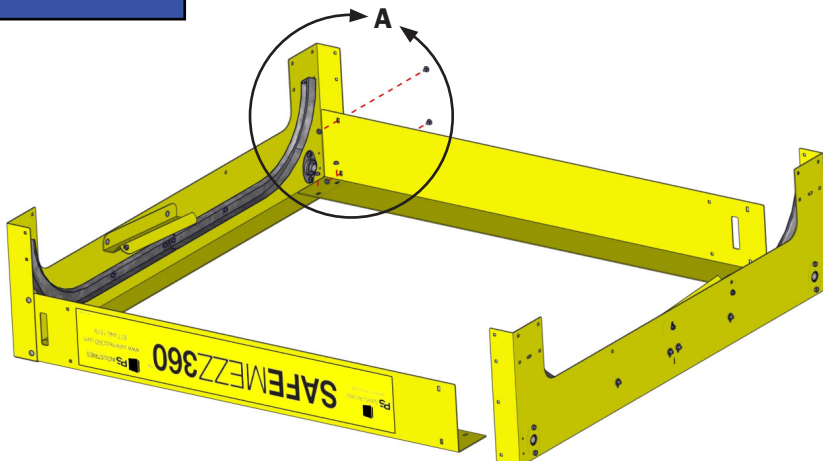
NOTICE Refer to Parts List on Page 3 for part item numbers and descriptions.

NOTICE Use blocking to raise parts off floor to aid in assembly and protect powder coat finish.

STEP 1. Start with both side header assemblies lying upside down.

- Place front headers inside side header assemblies (SafeMezz360™ logo will appear upside down and face out).
- Fasten corners using four (4) $\frac{5}{16}$ " carriage bolts and flange nuts.
- Repeat step for each corner.

Step 1
Illustration



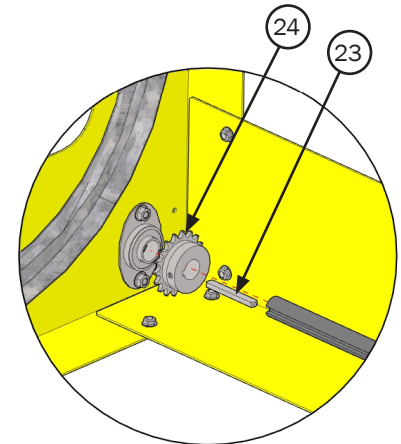
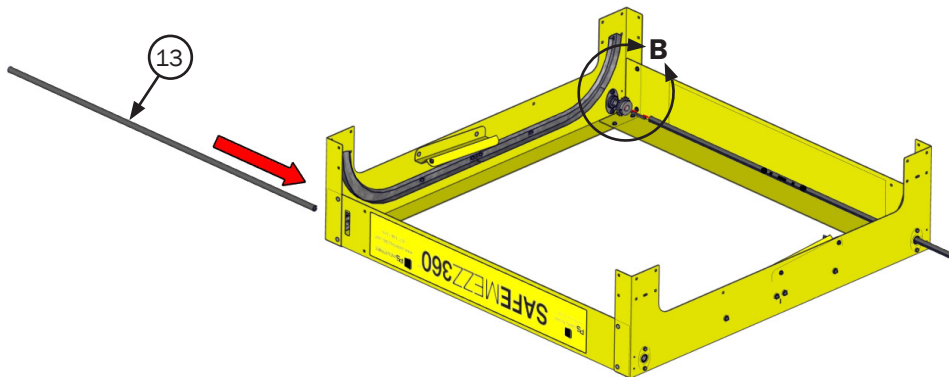
DETAIL A

Installation

STEP 2. Start with both side header assemblies lying upside down.

- Place the sprockets tight to each side flange bearing to prevent lateral movement of shaft with orientation. (Refer to Illustration)
- Use a shaft key to align the sprocket to shaft and tighten both set screws firmly.
- Repeat step for each corner.

Step 2 Illustration

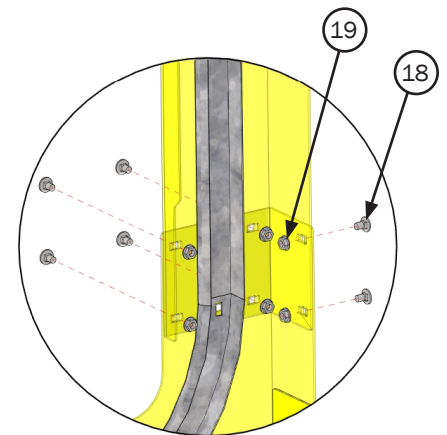
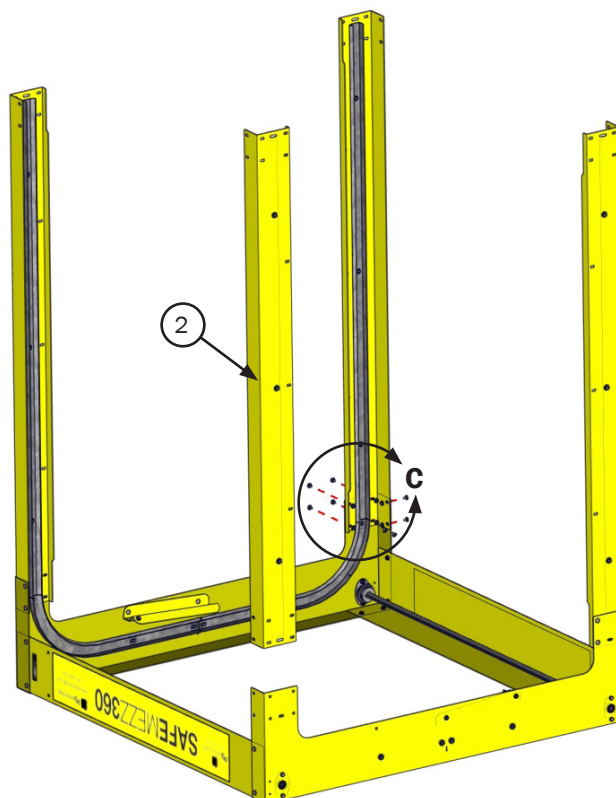


DETAIL B

STEP 3. Attach the four (4) columns to each corner using six (6) $\frac{5}{16}$ " carriage bolts and flange nuts.

- Each column should slide between the side header and the radius-ed top track

Step 3 Illustration

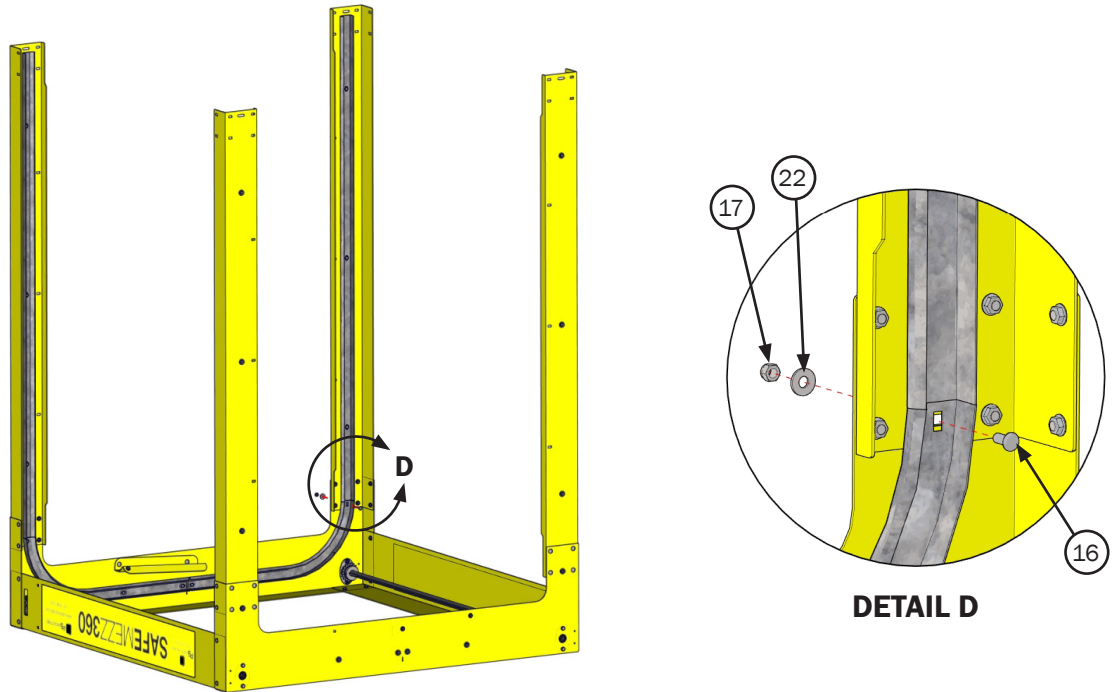


DETAIL C

Installation

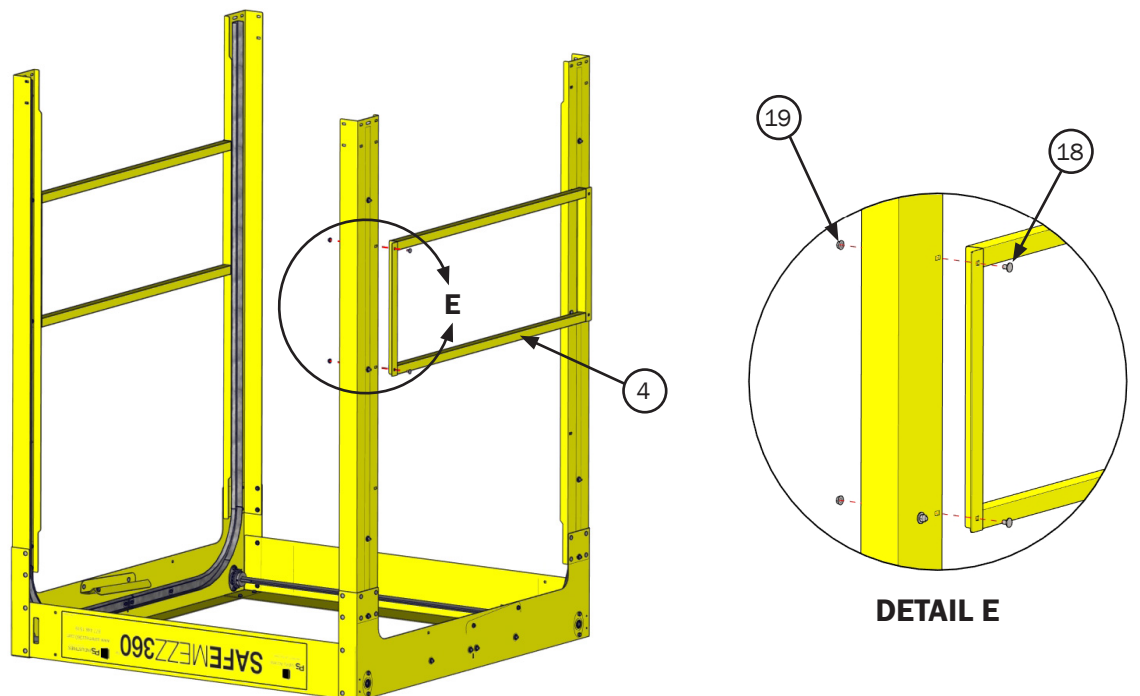
- STEP 4.** Attach ends of the radius-ed tracks using track bolts, washers, and nylock nuts.
- Initial adjustments should be made to the vertical straight track, so all conjoining track sections align tight and flush to allow smooth operation of the gate rollers. Only if additional adjustment is needed should the radius track sections be moved. Minor forming of the track with adjustable wrench or pliers may be required to allow for smooth gate roller travel.
 - Repeat step for other side.

Step 4 Illustration



- STEP 5.** Attach the side rail to the column using four (4) $\frac{5}{16}$ " carriage bolts and flange nuts.
- Repeat step for other side.

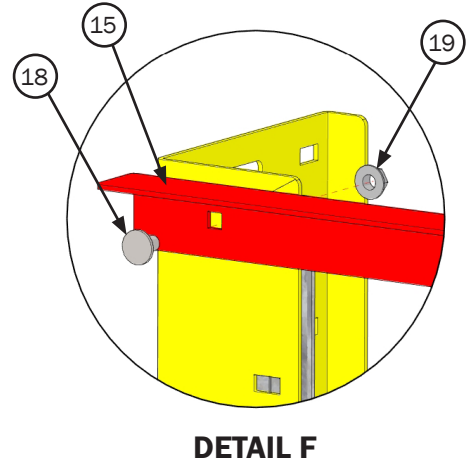
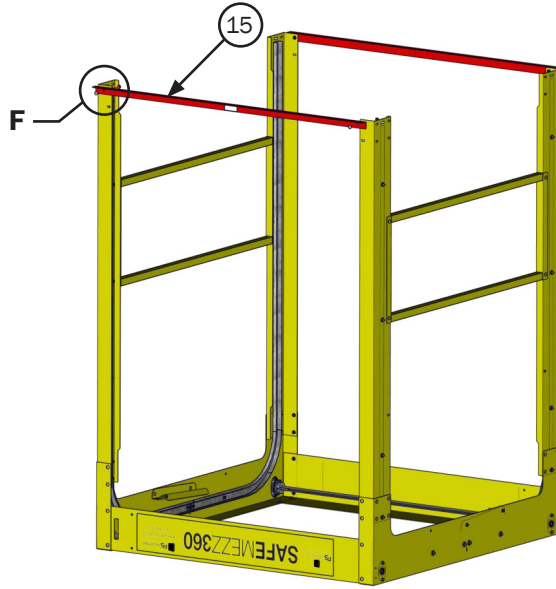
Step 5 Illustration



Installation

STEP 6. Attach temporary brace using two (2) 5/16" carriage bolts and flange nuts.
 a. Repeat step for other side.

**Step 6
Illustration**



▲ WARNING The SafeMezz360 assemblies are heavy and require a minimum of two (2) people to move. Ensure safe and controlled movement of the assemblies.

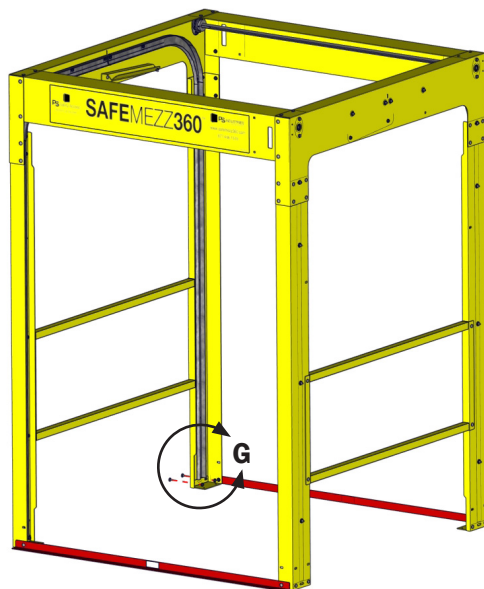
NOTICE Take precautions to protect the Powder Coat finish.

STEP 7. Once side rails and temporary braces are installed, the SafeMezz360 can be tipped into the upright position.

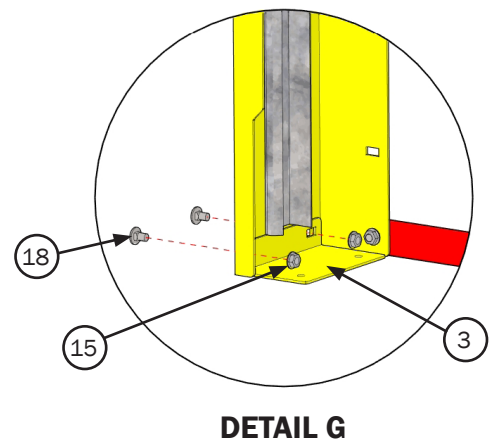
STEP 8. Attach an anchor bracket to each leg using two (2) 5/16" carriage bolts and flange nuts.

NOTICE The anchor brackets can be installed to the inside or outside of each column assembly depending on installation conditions. If installing anchor brackets to the outside of the column assemblies and using the optional side toeboards, refer to the Installation Instructions that come with the side toeboard kit for proper location of anchor brackets.

**Step 8
Illustration**



SafeMezz360 Weights	
SMZMM060	340 LBS
SMZMM100	390 LBS



Installation

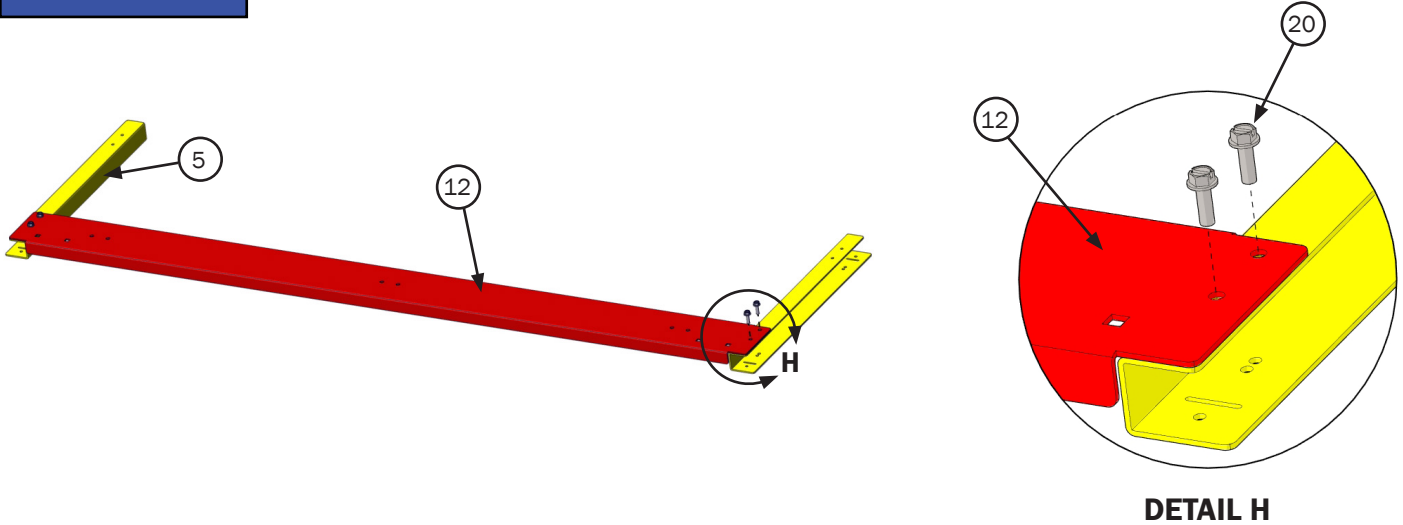
VIII. Gate Assembly

A. Assembling the SafeMezz360™ Gates and beginning installation into main assembly.

STEP 9. Attach toeboard to two (2) toeboard arms using four (4) 1/4" thread cutting screws.

a. Flip the toeboard and toeboard linkage arms over for hinge installation in Step 10.

Step 9 Illustration

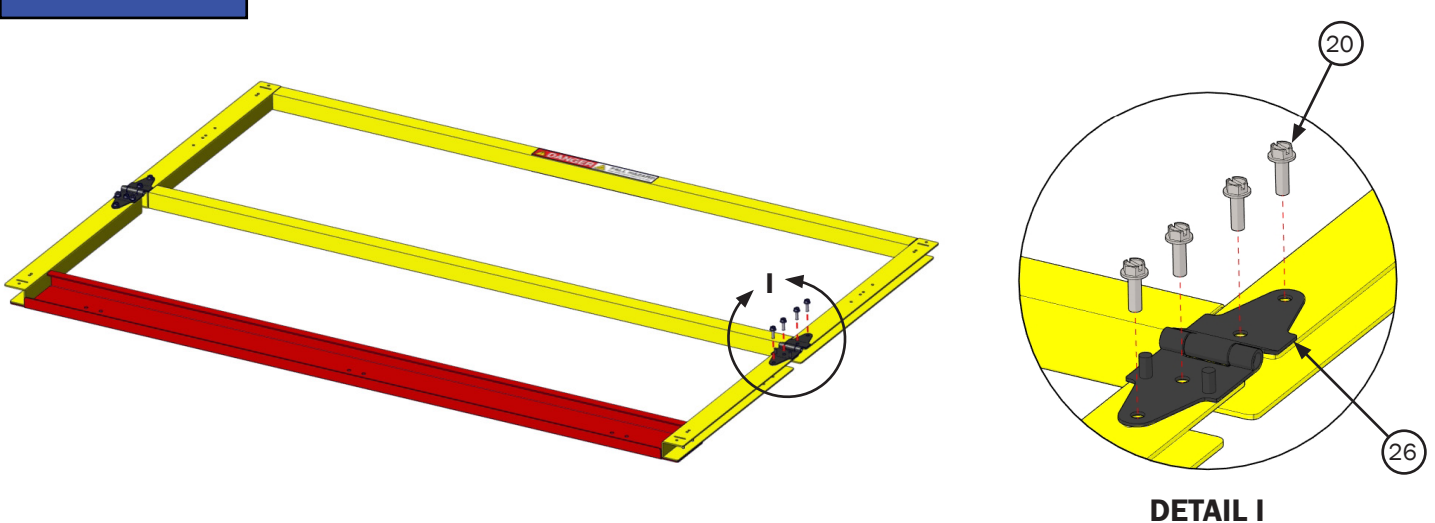


STEP 10. Connect the toeboard linkage arms to the gate using two (2) hinges and eight (8) 1/4" thread cutting screws.

a. Orient the hinge with the 1/4" studs on the bottom (closer to the Toeboard).

b. Repeat step for opposite side.

Step 10 Illustration



Installation

IX. Gate Installation

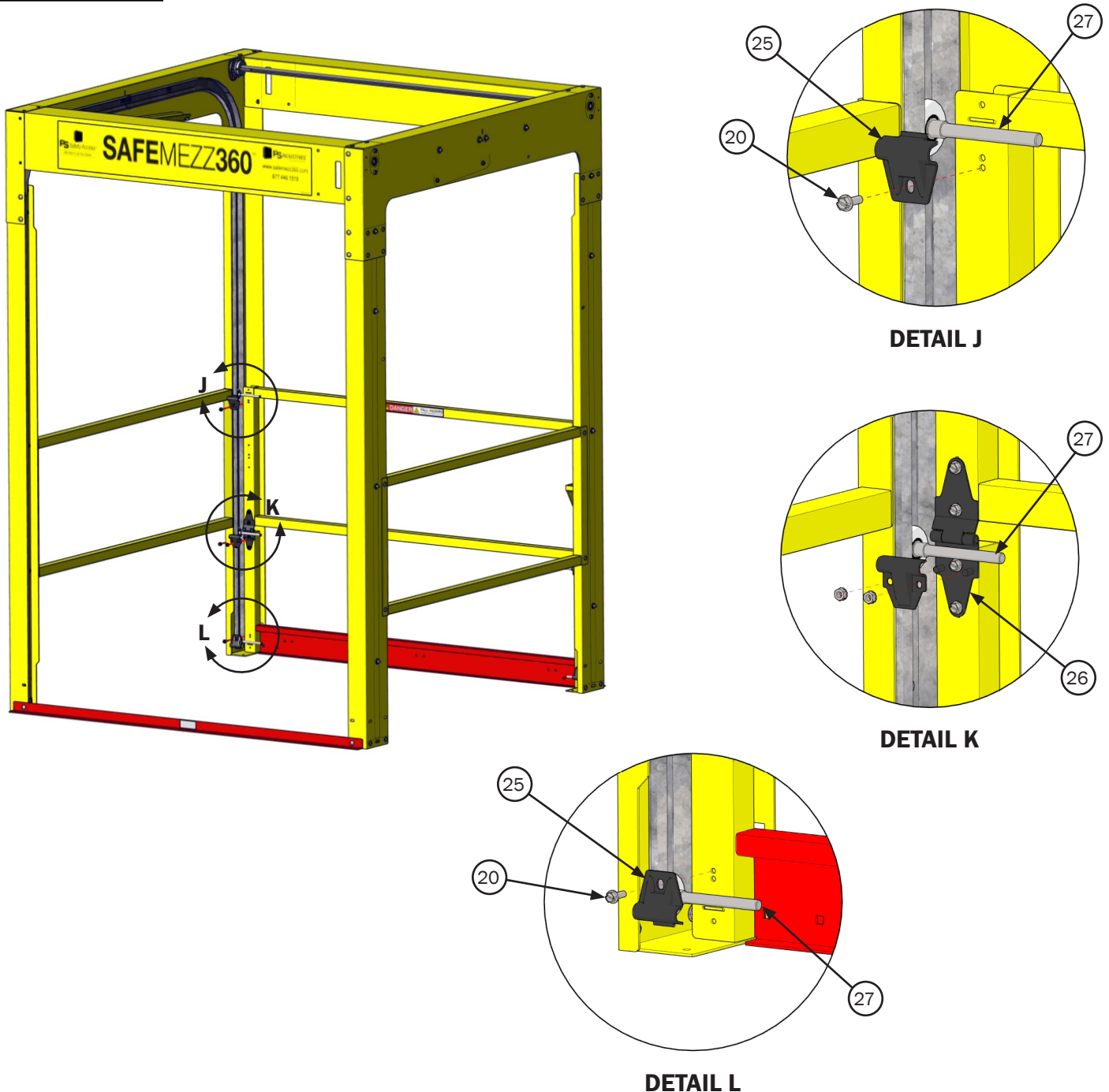
A. Installing the SafeMezz360™ Gates into main assembly.

STEP 11. Stand the gate up in its appropriate opening and attach two (2) 2" nylon rollers with roller clamps, and two (2) 1/4" thread cutting screws. (See Detail J)

STEP 12. Attach two (2) 2" nylon rollers using roller clamps and (4) 1/4" keps nut. (See Detail K)

STEP 13. Attach two (2) 2" nylon rollers using the roller clamps and (2) 1/4" thread cutting screws. (See Detail L)

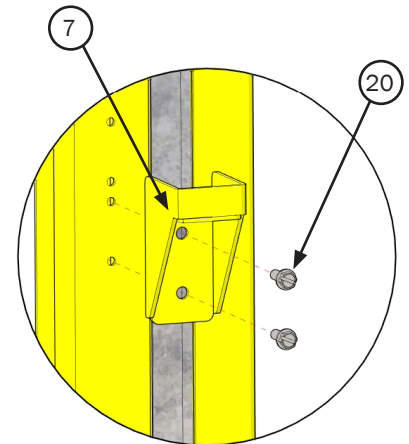
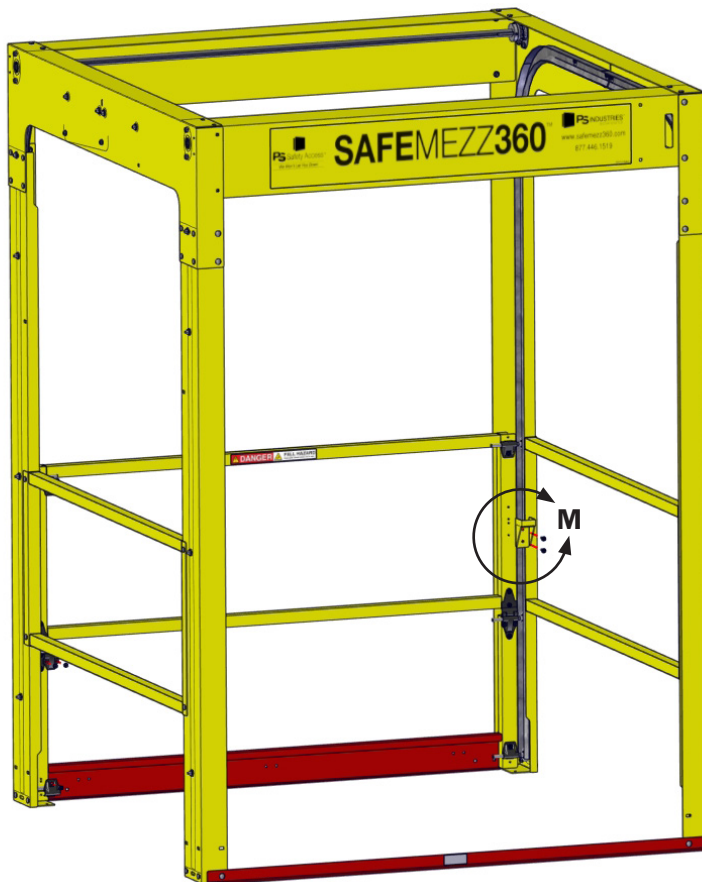
Step 11-13 Illustration



Installation

STEP 14. Attach one (1) dampener strike to the right side of the gate *ONLY*, as shown below, using two (2) 1/4" thread cutting screws. (See Detail M)

Step 14 Illustration



DETAIL M

STEP 15. Repeat steps 9-14 for the opposing gate.

Installation

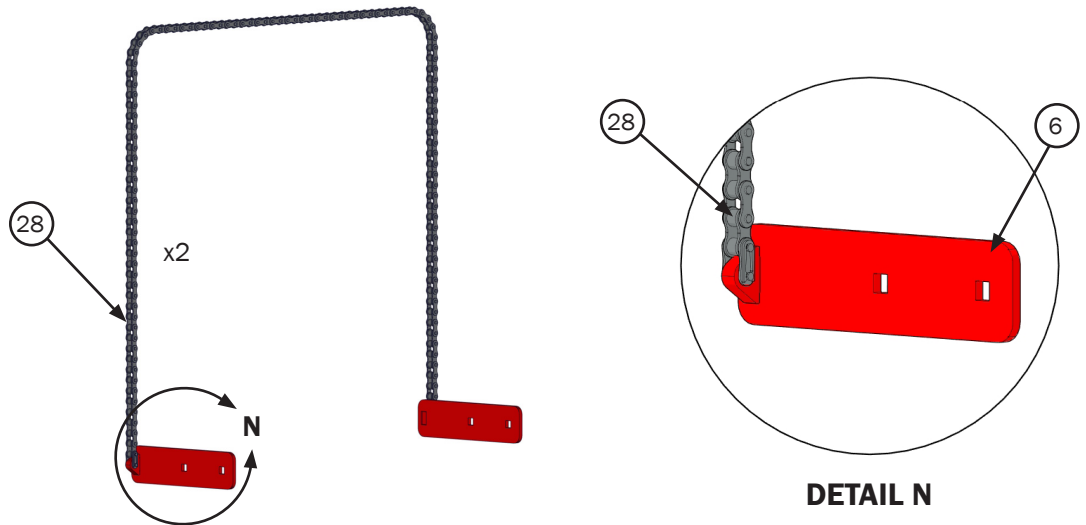
X. Drive Chain Installation and Leveling Gates

A. Installing the Drive Chain and Leveling Gates.

NOTICE The Drive Chain is pre-sized to the correct length.

STEP 16. Attach chain mount brackets on each end using connect links as shown below.

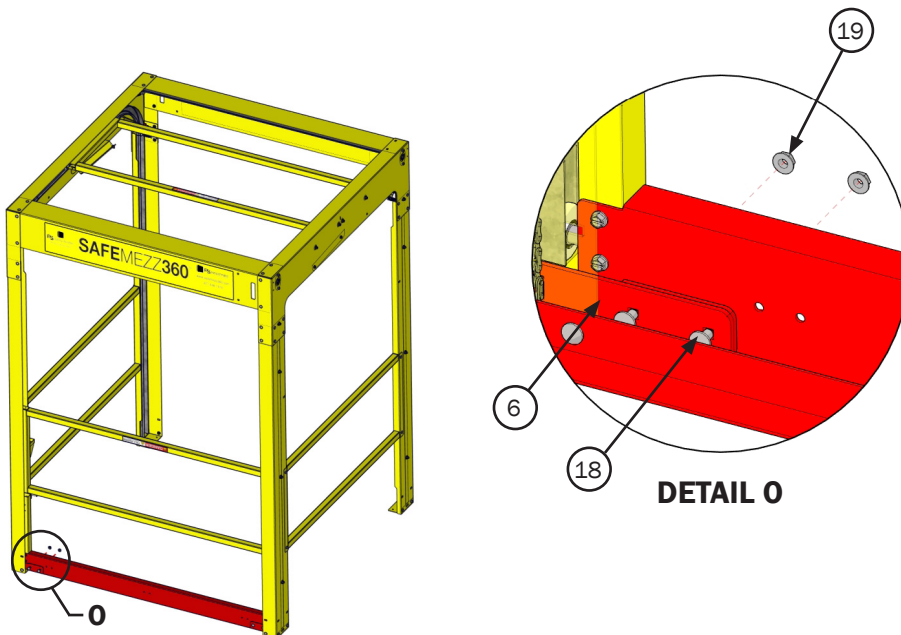
Step 16 Illustration



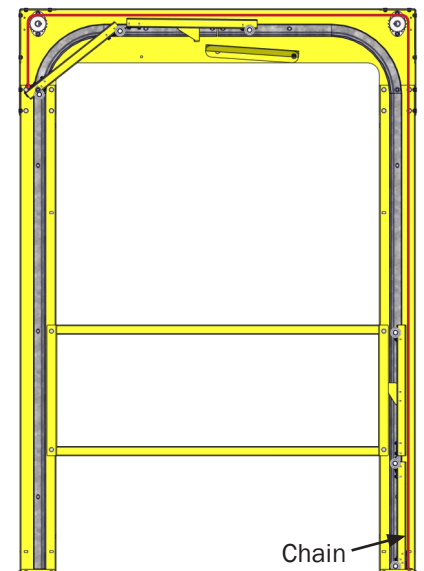
STEP 17. Install two (2) chain mount brackets (one from each chain) to a single gate toeboard using two (2) $\frac{5}{16}$ " carriage bolts and flange nuts.

- Raise the gate and clamp or tether so that the toeboard is 81" or greater above floor level.
- Secure gate safely and redundantly so not to create an overhead falling hazard.
- Route each chain up and over both jack-shafts (not over sprockets at this time) and install remaining chain mount brackets to opposing gate toeboard.

Step 17 Illustration A



Step 17 Illustration B



Installation

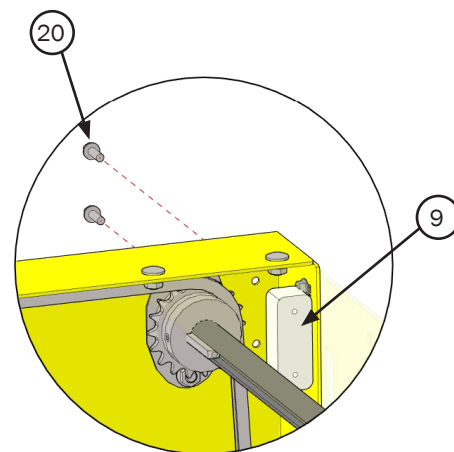
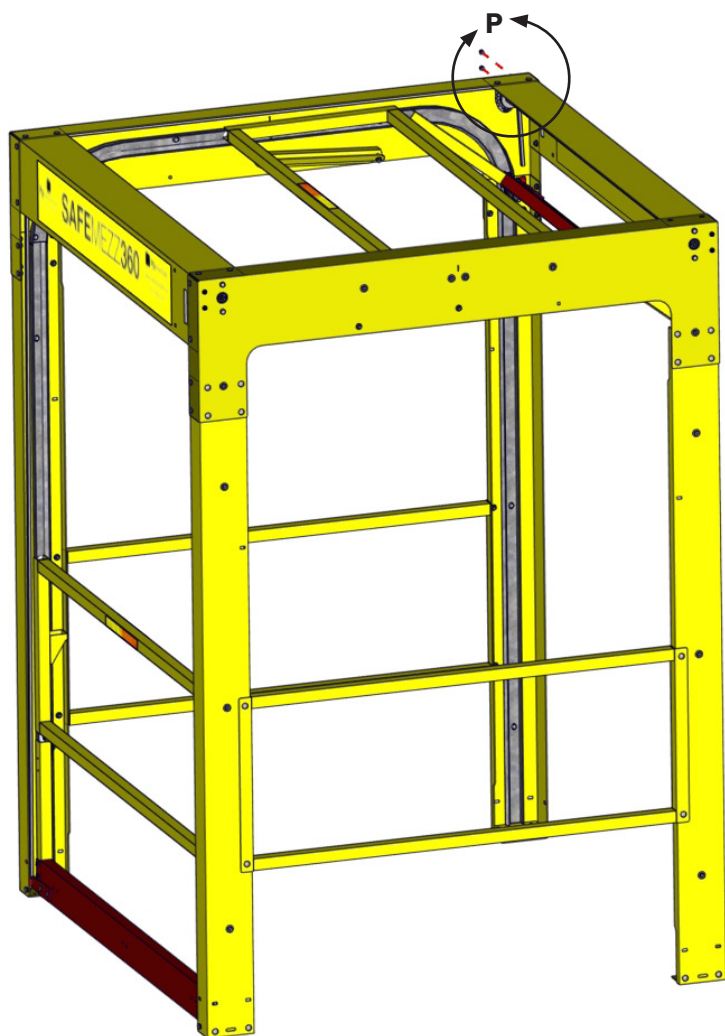
STEP 18. Place the chains onto the sprockets while ensuring that the gates remain level and lower the secured gate to remove slack from chain.

- Inspect both gates to ensure both are level. If the gates are not hanging level, create slack in chain by hoisting and securing one of the gates.
- Remove chain from one sprocket and adjust it one tooth at a time in the appropriate direction until both gates hang and operate level.

▲ WARNING Only operate gates with slow and controlled movements until the SLAM-PROOF DAMPENING SYSTEM is installed (refer to Step 20). Do not operate gates when working on or near the chain and sprockets to avoid pinching or collision with moving gates.

STEP 19. Attach four (4) chain retainers at each sprocket location using (2) 1/4" thread cutting screws.

Step 19 Illustration



DETAIL P

Installation

XI. Dampener Installation

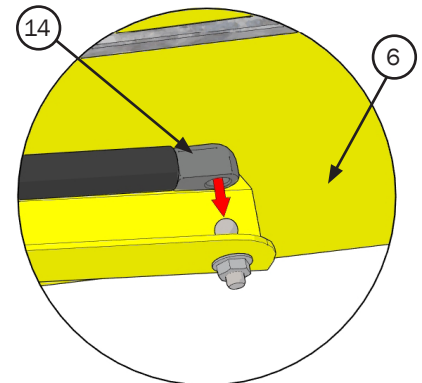
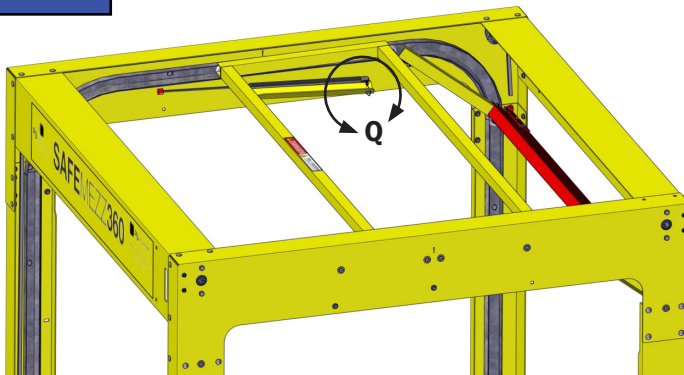
A. Install slam-proof gate dampening system.

NOTICE Use precaution to protect the dampener piston rod from ANY scratches or abrasion to ensure long working lift.

STEP 20. Attach dampener by pushing the ball socket onto the ball stud in the dampener bracket causing the spring clip to snap-in-place.

a. Repeat for other side.

Step 20 Illustration



DETAIL Q

Anchoring

XII. Anchoring

A. Anchoring SafeMezz360 to platform.

▲ WARNING Ensure the method of fastening is sufficient to support all external loading and meets applicable codes.

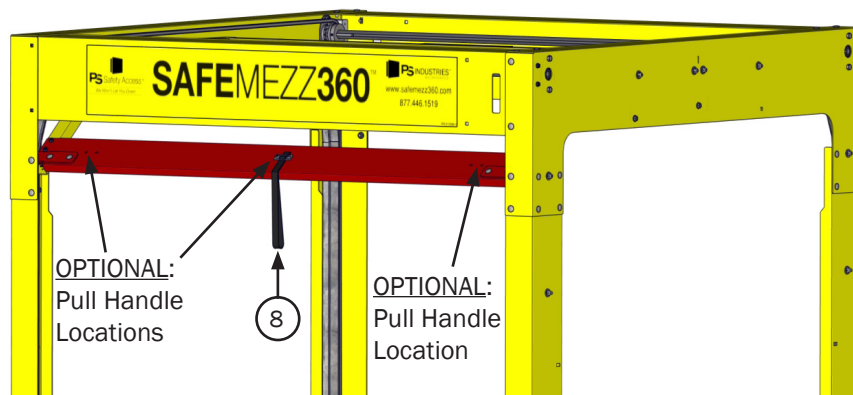
STEP 21. Safely move the SafeMezz360 into its final location and anchor (Anchors provided by others, NOT PS Safety Access) to the floor ensuring the SafeMezz360 remains square and level.

NOTICE Anchors are not included.

STEP 22. Remove installation braces that were attached in Step 6 on Page 7.

STEP 23. (OPTIONAL) Attach pull strap to the toeboard of the mezzanine side gate.

Step 23 Illustration



Replacement Parts List

XIII. Replacement Parts List

NOTE 1. This replacement parts list is for all SafeMezz360™ Models.

NOTE 2. Diagram and details are located on Page 15 and Page 16.

Replacement Parts List		
ITEM #	DESCRIPTION	PART #
1	SMZ;SIDE HEADER ASM	512992
2	SMZ;COLUMN ASM	513004
3	SMZ;ANCHOR BRACKET PCY	513022
4	SMZ;SIDE RAIL PCY	513008
5	SMZ;TOEBOARD LINKAGE ARM PCY	513018
6	SMZ;CHAIN MOUNT BRACKET PCR	513028
7	SMZ;DAMPENER STRIKE PCY	513031
8	SMZ;PULL STRAP ASM	513029
9	SMZ;CHAIN RETAINER	513003
10	REFER TO HARDWARE VARIANT	
11	REFER TO HARDWARE VARIANT	
12	REFER TO HARDWARE VARIANT	
13	REFER TO HARDWARE VARIANT	
14	REFER TO HARDWARE VARIANT	
16	NUT;NYLOCK 5/16"18 HEAVY ZN	513780
17	ANCHOR;PWRSTUD+SD1-3/8"X3"CS	513454
18	BOLT; HEX 3/8" 16X2 1/4 GR5ZN	500405
19	BOLT;SHOULDER3/8"X2-1/4"	513779
20	BOLT; HEX 3/8" 16X2 3/4 GR5ZN	500406
21	BOLT; HEX 1/4" 20X3 1/2 GR5ZN	502651
22	BOLT;HEX3/8"16X4 GR5ZN	502859
23	BOLT; HEX 3/8" 16X 3GR5ZN	500411
24	BUMPER;ROUND 1-1/2"DIAX1-1/2	513133
25	NUT;NYLOCK 1/4"20 ZN NYL CAP	514472
26	HINGE;END W/ ROLLER CLAMP, BLA	513042
27	ROLLER;2" NYLON, 11-BALL	513044
28	SMZ;CHAIN #41 CUT TO LENGTH	513049
29	SMZ;DAMPENER MOUNT PCY	513002
30	BEARING;FLANGE 2-BOLT 1" SHAFT	513040
31	BOLT;HEX3/8"16X1/2GR5ZN	500399
32	NUT;FLANGE 3/8"16ZN-CASE HARD	501085
33	SMZ;TOP TRACK, TRK H	513033
34	STUD;10MM BALL X 5/169"-18 ZN	513035
35	WASHER;FLAT 5/16"Z1-1/4HD ZN	512986
36	SMZ;VERTICAL TRACK TRL V	513034

FINISH OPTIONS	
PCR	Powder Coat Red
PCY	Powder Coat Safety Yellow

**TO ORDER PARTS CONTACT PS SAFETY ACCESS AT
877.446.1519 or 4psinfo@psindustries.com**

Hardware Variant for SMZ-MM060		
ITEM #	DESCRIPTION	PART #
10	SMZ;FRONT HEADER SGL PCY	512996
11	SMZ;GATE SGL PCY	513010
12	SMZ;TOEBOARD SGL PCR	513014
13	SMZ;JACK SHAFT SGL	512999
14	SMZ;DAMPENER ASM SNG	513062

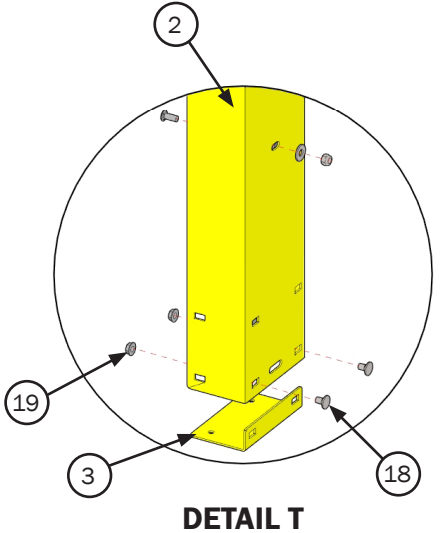
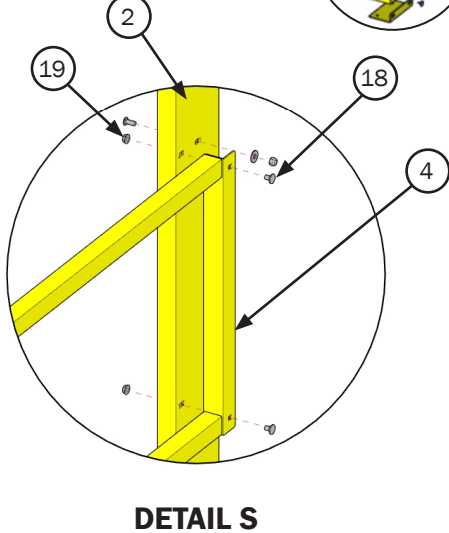
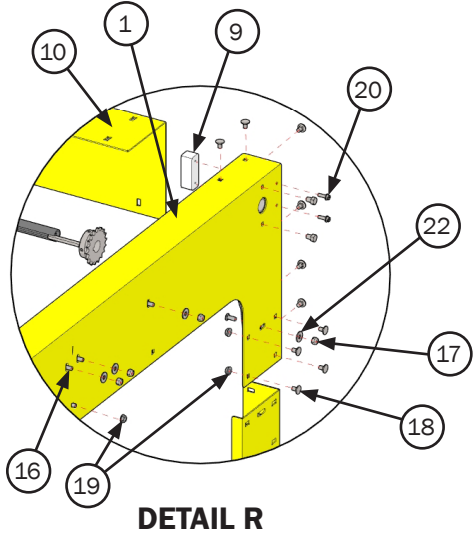
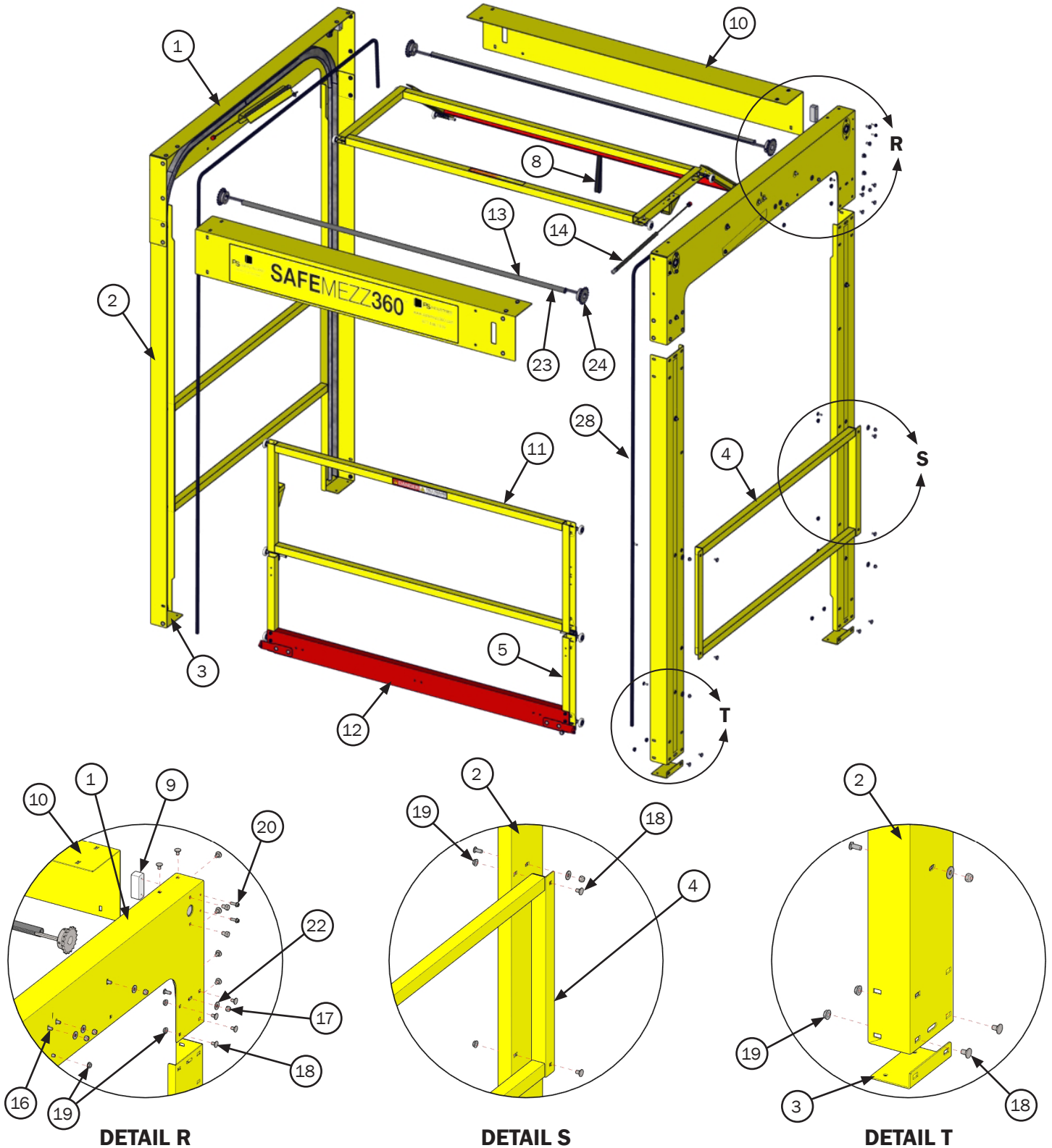
Hardware Variant for SMZ-MM100		
ITEM #	DESCRIPTION	PART #
10	SMZ;FRONT HEADER DBL PCY	512998
11	SMZ;GATE DBL PCY	513012
12	SMZ;TOEBOARD DBL PCR	513016
13	SMZ;JACK SHAFT DBL	513000
14	SMZ;DAMPENER ASM DBL	513063

Replacement Parts Diagram

XIV. Replacement Parts Diagram

NOTE 1. This Diagram and Details are for all SafeMezz360™ Models.

NOTE 2. The Exploded Details are located on Page 16.

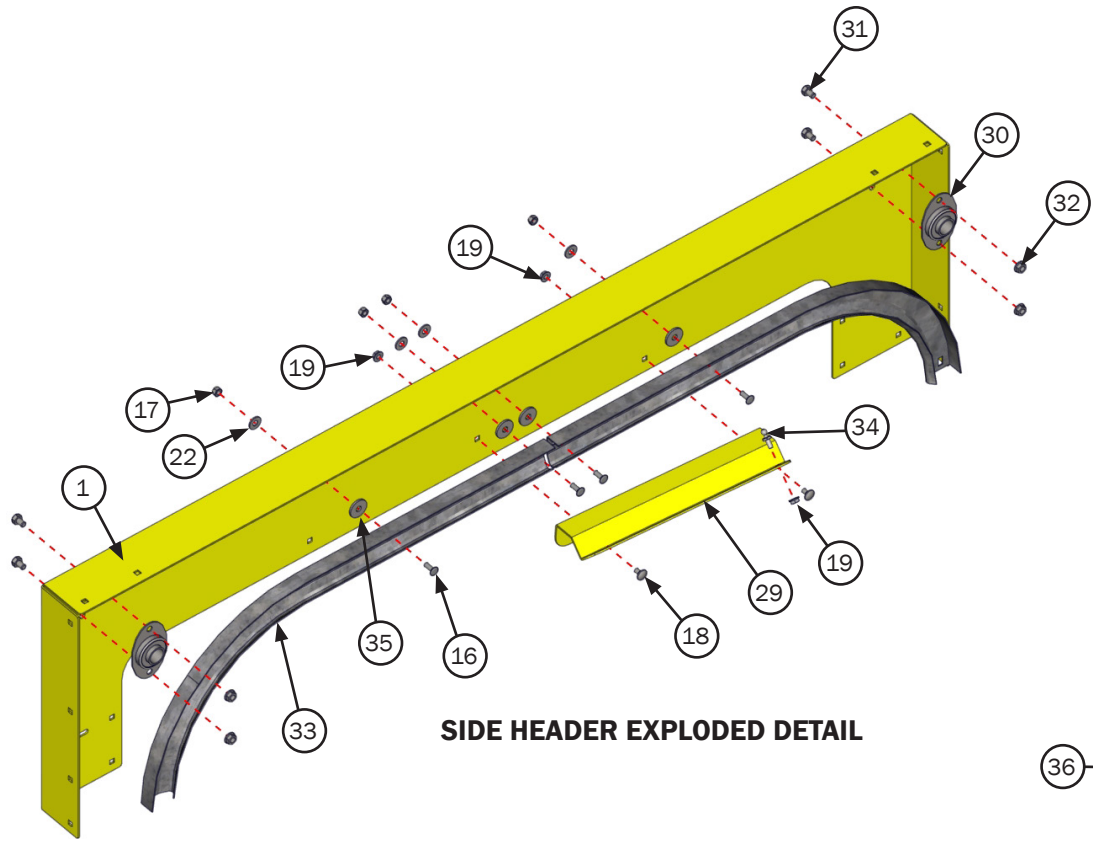


*Same detail for all four corners.

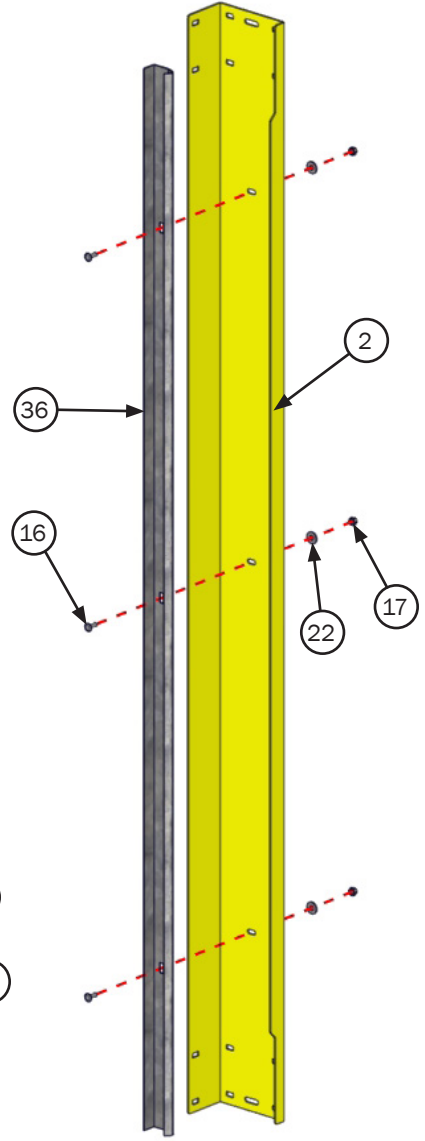
*Same detail for both side rails.

*Same detail for all four corners.

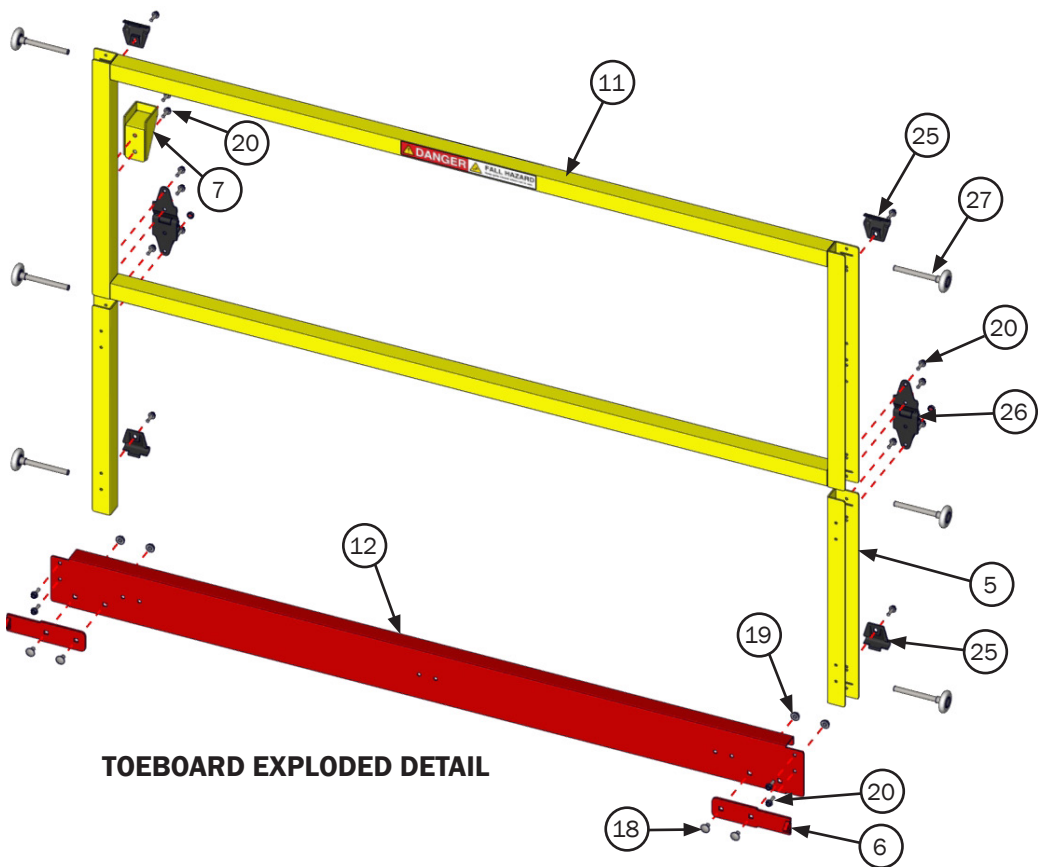
Replacement Parts Diagram



SIDE HEADER EXPLODED DETAIL



COLUMN EXPLODED DETAIL



TOEBOARD EXPLODED DETAIL

Inspection and Maintenance

XV. Inspection and Maintenance (Minimum Annually)

IMPORTANT! Consult parts list before replacing fasteners, as all have specific design load requirements. Only use like items for replacement.

A. Headers, Columns, and Gate:

1. Inspect components for damage and misalignment. Adjust, repair, or replace as needed, to meet original design tolerance.
2. Check for proper alignment with catch. Adjust as necessary to achieve proper alignment.
3. Check dampener alignment to ensure red bumper only makes contact with the dampener strike. Adjust the track for clearance as necessary.
4. Dampeners are maintenance free, replace dampener if assisting force has diminished.

B. Sprockets:

1. Ensure keys are in place and set screws are tight.
2. Replace any missing keys.

C. Track:

1. Inspect track for damage and misalignment. Verify smooth gate operation.
2. Realign or replace track as needed.

D. Chain:

1. Ensure the connecting links are connected appropriately. Adjust, repair, or replace any damaged connecting links, to meet original design tolerance.
2. Grease chain as required.

E. Rollers, Roller Clamps, and Hinges:

1. Inspect components for damage and misalignment. Adjust, repair, or replace as needed, to meet original design tolerance.

F. Fasteners and mechanical connections:

1. All fasteners must be in place and adjusted to their original design standard. Replace any damaged components.
2. Check all mounting connections, making sure they meet original design standards (refer to instructions).

G. Finishes:

1. Inspect and clean finishes periodically.
2. Touch up repair finishes, or refinish as necessary to protect the structural integrity of the SafeMezz360.
3. The PCY SafeMezz360 comes with a polyester powder coat finish. Use finish materials compatible with powder coat. Follow paint manufacturers' instructions for prep and touch-up.

H. Housekeeping:

1. To ensure your product continues to operate and last, upon completion of proper installation, complete the following:
 - a. Clean all surfaces.
 - b. If project is ongoing, protect installed products until final completion of project.
 - c. Touch-up, repair, or replace damaged components.
2. Ensure the horizontal bars are clear of debris and interferences.

I. Labels and Placards:

1. Inspect all labels and placards.
2. Replace any labels and placards which are unreadable/missing.

Inspection and Maintenance Log

CRITICAL Periodic Inspection and Maintenance Required. Inspect at minimum annually.

Date Installed: _____

Product: _____

Model Number: _____

Serial Number: _____

Opening Identifier/ Number: _____

Location: _____

DATE INSPECTED	INSPECTED BY <i>(Print & Sign)</i>	INSPECTION ITEMS NOTED	CORRECTIVE ACTION	CORRECTED BY <i>(Print & Sign)</i>

PS INDUSTRIES® INCORPORATED – LIMITED WARRANTY

Limited Warranty: Subject to the terms of this Limited Warranty, PS Industries® Incorporated warrants to the original user or consumer (the “Owner”) of a PS Industries product (the “Product”) that, for a period of one (1) year from date of shipment, the Product will be free from defects in material and workmanship under normal use and service, and provided the Product is installed, operated and maintained in accordance with instructions supplied by PS Industries. The terms and limitations of this Limited Warranty apply to all repaired or replacement Products for a term equal to the balance of the warranty remaining on the Product that was repaired or replaced as of the date of such repair or replacement. Register online at: www.psindustries.com/contact/register-your-product

PS Flood Barriers™ Product Warranty Registration: For PS Flood Barriers™ Products, this Limited Warranty will only be valid if the Owner completes the Warranty Registration Form provided within thirty (30) days of Product installation. To request a copy of the Warranty Registration Form, contact PS Industries Incorporated, 1150 S. 48th Street, Grand Forks, ND 58201, phone 877-446-1519, email: 4psinfo@psindustries.com. Register online at: www.psindustries.com/contact/register-your-product/ Additional Warranty Registration Forms can be downloaded at www.psfloodbarriers.com/download-center/

Warranty Exclusions: Notwithstanding anything to the contrary, this Limited Warranty does not cover any of the following:

1. Normal wear and tear (including, but not limited to, normal wear and tear to gaskets and weather seals); damage or accidents resulting from freight damage, from failure to follow precautionary safety measures, or applied paint failure; abuse, misuse or unauthorized modification of the Product; misapplication; improper installation; or any defects, damage or other harm that is not the result of the acts or omissions of PS Industries.
2. Cost of field labor or other charges incurred by Owner in removing and/or re-affixing the Product or any part or component thereof.
3. Transportation costs.

Unauthorized modification of or to the Product voids this Limited Warranty. Authorized modifications, received in writing from PS Industries, as long as the modification is accomplished in strict accordance with PS Industries’ instructions, does not void warranty. To request product modifications contact PS Industries, 1150 S. 48th Street, Grand Forks, ND 58201, phone 877-446-1519, email: 4psinfo@psindustries.com.

Claim Procedure: To make a claim under this Limited Warranty, the claim must be received by PS Industries before the expiration of the above stated Limited Warranty period together with proof of purchase. Contact PS Industries at the address shown below.

PS Industries Incorporated	Toll Free: 877-446-1519
Attention: Warranty	Phone: 701-746-4519
1150 S. 48th Street	Fax: 701-746-8340
Grand Forks, ND 58201	E-mail: 4psinfo@psindustries.com

An authorized PS Industries representative must be given a reasonable opportunity to inspect and investigate the alleged Product defect prior to any work being done that affects the Product or its installation. PS Industries reserves the right to charge reasonable amounts for travel and labor associated with investigation of claims. PS Industries may also require photographs of the alleged Product defect or return of the Product or part to a designated PS Industries location, freight prepaid. A return goods authorization must be received prior to the return of the Product or part. Please contact PS Industries to determine the designated location for return and to obtain the return material authorization.

Exclusive Remedy: In the event of a warranty claim that PS Industries determines to be covered by this Limited Warranty, PS Industries will replace or repair, at PS Industries’ discretion, the Product or any part of the Product found to be defective.

Disclaimers: The above warranty and remedy is the sole express warranty and remedy given by PS Industries on its Product. No warranties or representations at any time made by any representative from PS Industries shall vary or expand the provisions hereof. TO THE EXTENT PERMITTED BY LAW, ALL EXPRESS AND IMPLIED WARRANTIES (INCLUDING IMPLIED WARRANTIES OF MERCHANTABILITY, FITNESS FOR A PARTICULAR PURPOSE AND NON-INFRINGEMENT) OTHER THAN THE EXPRESS LIMITED WARRANTY SET FORTH ABOVE ARE EXPRESSLY DISCLAIMED. UPON THE EXPIRATION OF THE ABOVE STATED LIMITED WARRANTY PERIOD, ANY AND ALL APPLICABLE IMPLIED WARRANTIES, INCLUDING, WITHOUT LIMITATION, WARRANTIES OF MERCHANTABILITY, FITNESS FOR A PARTICULAR PURPOSE AND NON-INFRINGEMENT, ARE DISCLAIMED. SOME STATES DO NOT ALLOW LIMITATION ON HOW LONG AN IMPLIED WARRANTY LASTS, SO THE ABOVE LIMITATION MAY NOT APPLY TO OWNER.

LIABILITY LIMITATION: In no event will PS Industries’ liability to Owner or any other person or entity exceed the price paid to PS Industries for the defective Product. IN NO EVENT SHALL PS INDUSTRIES BE LIABLE TO OWNER OR ANY OTHER PERSON OR ENTITY FOR INCIDENTAL, CONSEQUENTIAL, INDIRECT OR SPECIAL DAMAGES OF ANY DESCRIPTION, WHETHER ARISING OUT OF WARRANTY (INCLUDING ANY IMPLIED WARRANTIES) OR ANY OTHER CONTRACT, STRICT LIABILITY, NEGLIGENCE OR OTHER TORT, OR OTHERWISE, INCLUDING ARISING FROM INSPECTION OR REMEDY DELAYS. SOME STATES DO NOT ALLOW THE EXCLUSION OR LIMITATION OF INCIDENTAL OR CONSEQUENTIAL DAMAGES, SO THE ABOVE LIMITATION AND EXCLUSION MAY NOT APPLY TO OWNER.

THIS WARRANTY GIVES OWNER SPECIFIC LEGAL RIGHTS AND OWNER MAY ALSO HAVE OTHER RIGHTS, WHICH VARY FROM STATE TO STATE.



877.446.1519

4psinfo@psindustries.com | pssafetyaccess.com
1150 South 48th Street | Grand Forks, ND 58201

Product Registration:
psindustries.com/contact/register-your-product