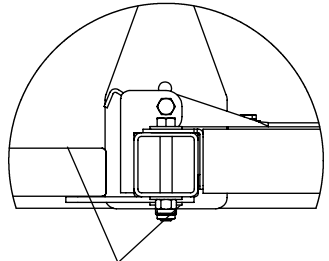
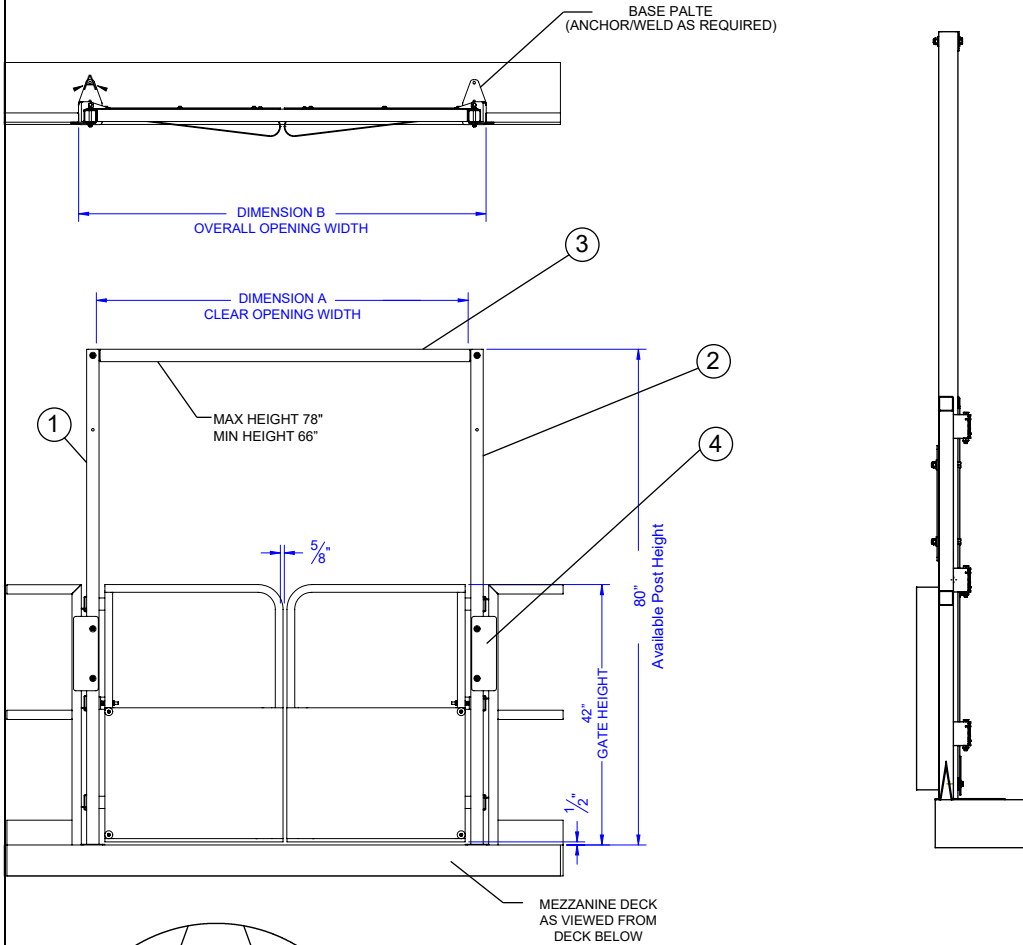


PALLET GATE MEASURING GUIDE & ORDER FORM



1150 S. 48TH STREET, GRAND FORKS, ND 58201
 PHONE: 701.746.4519 | TOLL FREE: 877.446.1519
 FAX: 701.746.8340 | WWW.PSSAFETYACCESS.COM



FIELD ANCHOR OR WELD IN PLACE (PLATE MAY BE FASTENED ON EITHER SIDE OF POST)

B.O.M. IS FOR QTY - 1

ITEM NO.	PART NO.	DESCRIPTION	Qty	U/M
1	511560	PLG;LEFT HAND ASSY-60	1	EA
2	511561	PLG;RIGHT HAND ASSY-60	1	EA
3	502509	PLG;ASSY CROSS BAR - 60" PCY	1	EA
4	502210	PLG;VERTICAL POST PLATE PCY	2	EA

QUOTATION REQUESTED PALLET GATE ORDER

SOLD/QUOTE TO:

Name: _____
 Company: _____
 Address: _____
 City, State, Zip: _____
 Phone: _____ Fax: _____
 E-Mail: _____

SHIP TO:

Name: _____ Date: _____
 Address: _____ P.O. #: _____
 City, State, Zip: _____ TAG: _____
 Phone: _____ SHIP VIA: _____

Location: _____

Models:

- ★ PLG - 6084 (60" Opening = Dimension A; 65 3/4" = Dimension B) Quantity:
 - ★ PLG - 7284 (72" Opening = Dimension A; 77 3/4" = Dimension B) Quantity:
 - ★ PLG - 9684 (96" Opening = Dimension A; 101 3/4" = Dimension B) Quantity:
 - PLG - XX84 (Custom Opening - Dimension A; XX + 5 3/4" - Dimension B) Quantity:
- ★ Stock Sizes

Custom Dimensions:

Clear Opening Width (Dimension A):

Overall Opening Width (Dimension A + 5 3/4" = Dimension B):

Notes:

CUSTOM DRAWINGS If "NO" Approval Drawings are requested, the Name of the person "Declining" approval drawings must be shown below.

Yes No Name Date