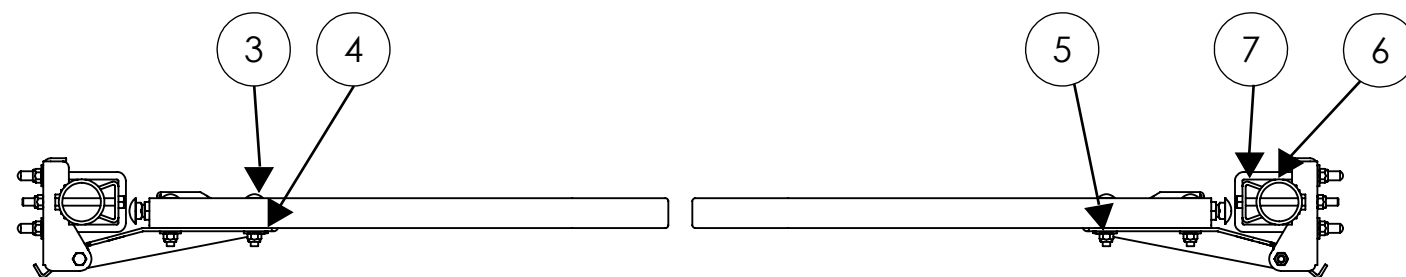
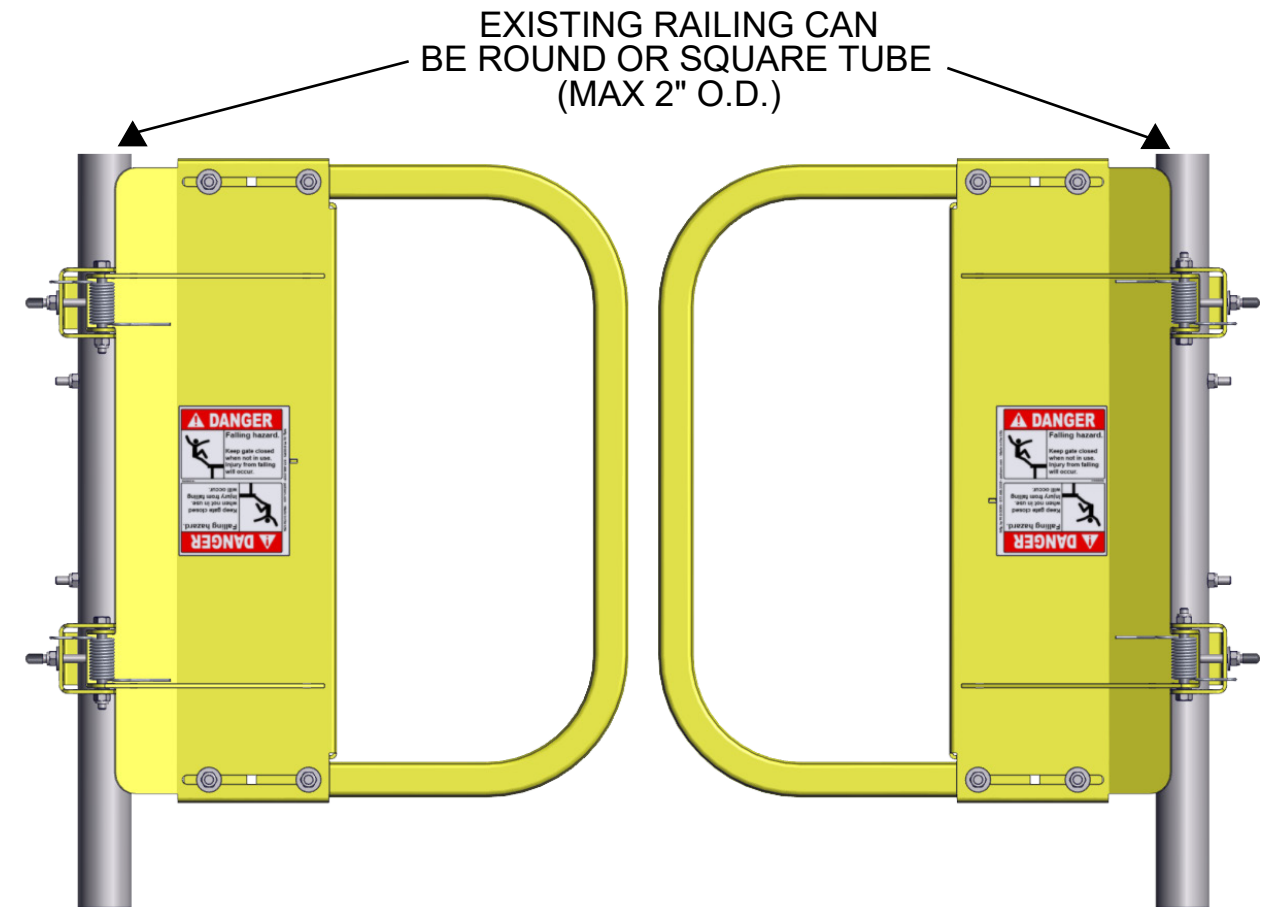
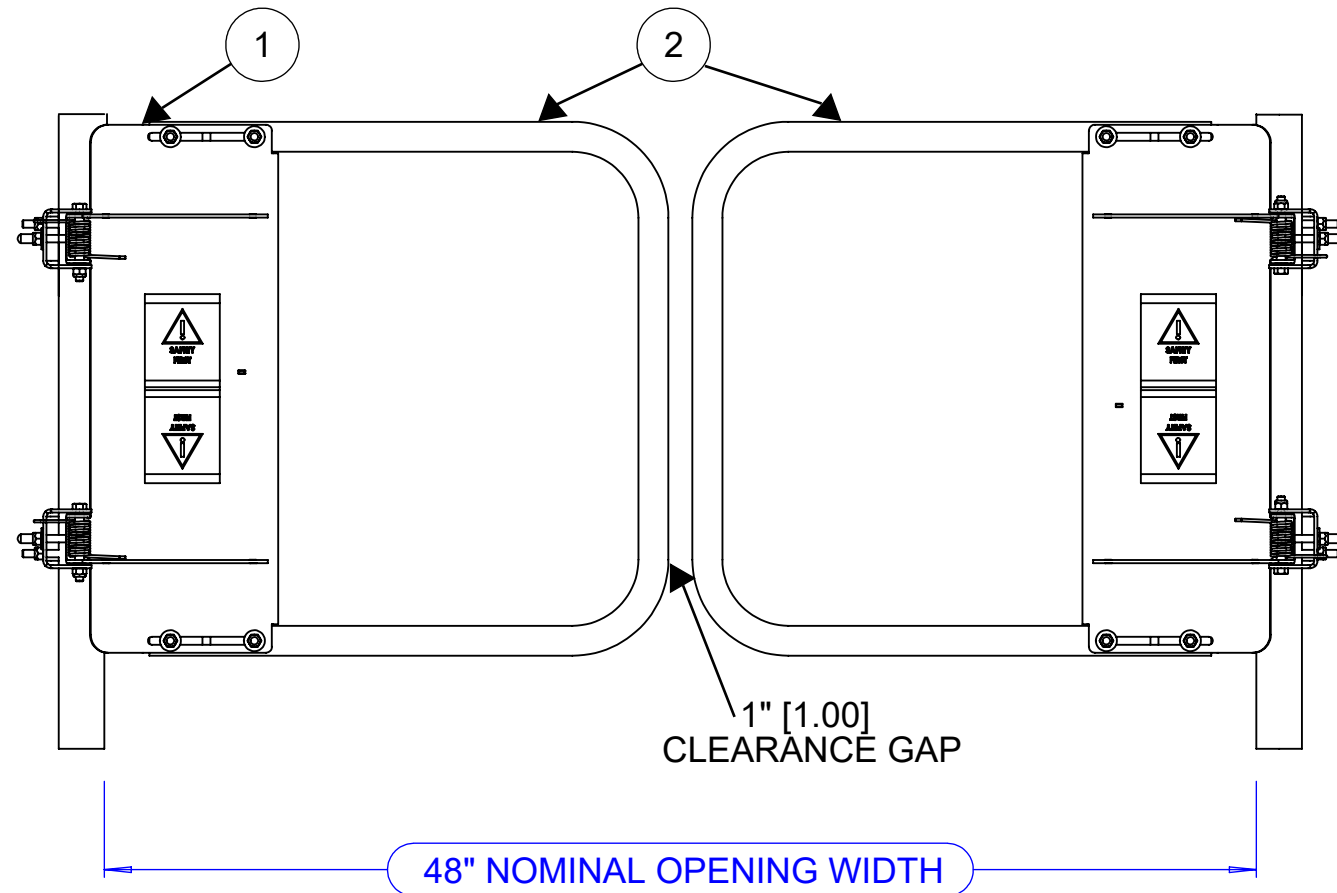


MODEL #	DESCRIPTION	OPENING RANGES	HOOP PART #		
			PCY	GAL	SS
LSGDBL-9	Ladder Safety Gate Double 18 Wide	16" - 22 1/2"	510403	510398	513840
LSGDBL-12	Ladder Safety Gate Double 24 Wide	22" - 28 1/2"	510404	510399	513841
LSGDBL-15	Ladder Safety Gate Double 30 Wide	28" - 34 1/2"	510405	510400	510425
LSGDBL-18	Ladder Safety Gate Double 36 Wide	34" - 40 1/2"	510406	510401	510426
LSGDBL-21	Ladder Safety Gate Double 42 Wide	40" - 46 1/2"	510407	510126	510427
LSGDBL-24	Ladder Safety Gate Double 48 Wide	46" - 52 1/2"	510408	510402	510528

ITEM NO.	PART NO.	DESCRIPTION	Qty
1	510410	LSG;HINGEPLT ASSY/PT,GS,SP-PCY	2
2	510408	LSG;HOOP-24-PCY	2
3	500326	BOLT;CARRIAGE5/16"18X2GR5ZN	8
4	501949	WASHER;FLAT 5/16"ZN	8
5	501126	NUT;NYLOCK 5/16"18 ZN	8
6	510396	LSGDBL;HARDWARE BAG PCY/GAL/MS	2
7	510413	LSG;RAILING SUPPORT CHAN-PCY	2

Finishes: Available in Powder Coat Yellow, Hot-dip Galvanized and Stainless Steel 304.



ESTIMATED PART/ASSY WEIGHT: 44 LBS.  
FINISH: SHERWIN WILLIAMS POLYESTER POWDER COAT SAFETY YELLOW

REV.	REVISIONS	DATE	REVISED BY	DOOR/OPENING NAME:	SN:	SALES ORDER #:	QTY: 1
				PRODUCT: DBL LADDER SAFETY GATE PCY 24	DWG STATUS: APPROVAL DRAWING		DATE:
				CUSTOMER:	DWG #: LSGDBL-24-PCY		SCALE: NTS
				CUST PO #:	DWG BY: aswenson	CHECKED: /	
				SALES ORDER NAME:			

**PS** Safety Access™  
1150 48th St. S  
GRAND FORKS, ND 58201  
PH. 701-746-4519  
FAX 701-746-8340  
SHEET #.1 OF 1 REV: C