

WARNING: LOAD RATINGS OF GATES WILL VARY BASED ON INDIVIDUAL INSTALLATION

NOTE:
GATE TO ATTACH TO MEZZANINE FLOOR AND BE ATTACHED TO ADJACENT RAILING SYSTEM TO PROVIDE STABILITY TO GATE COLUMNS.

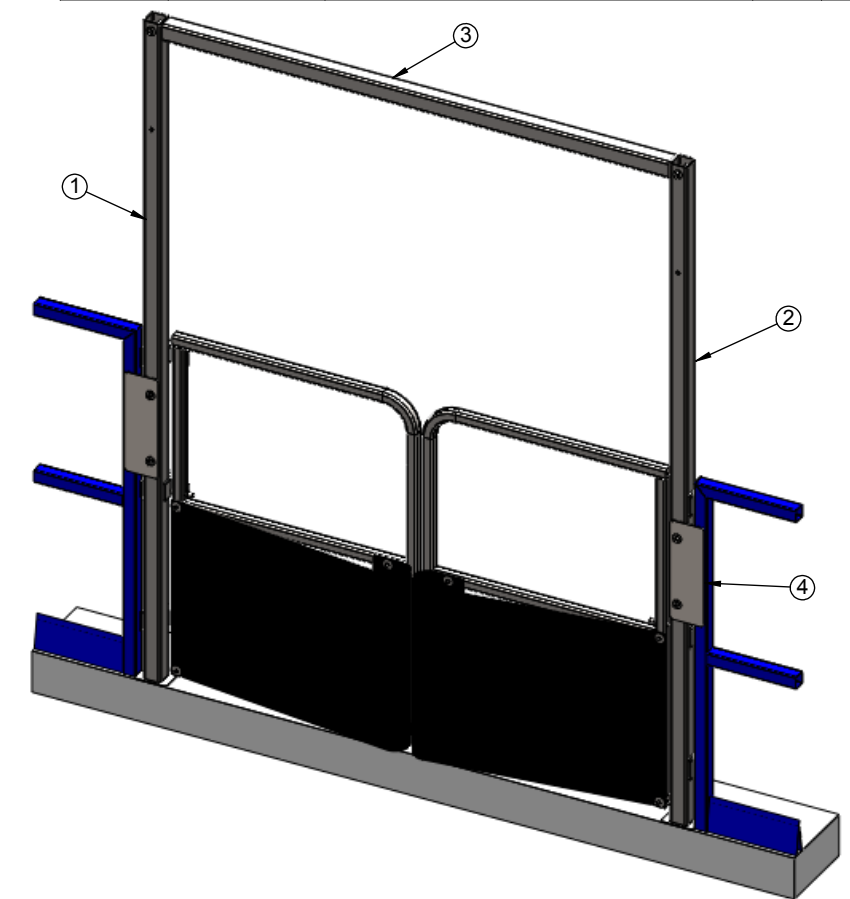
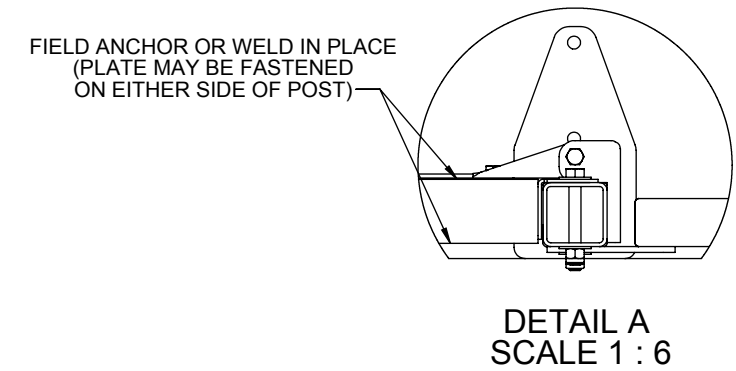
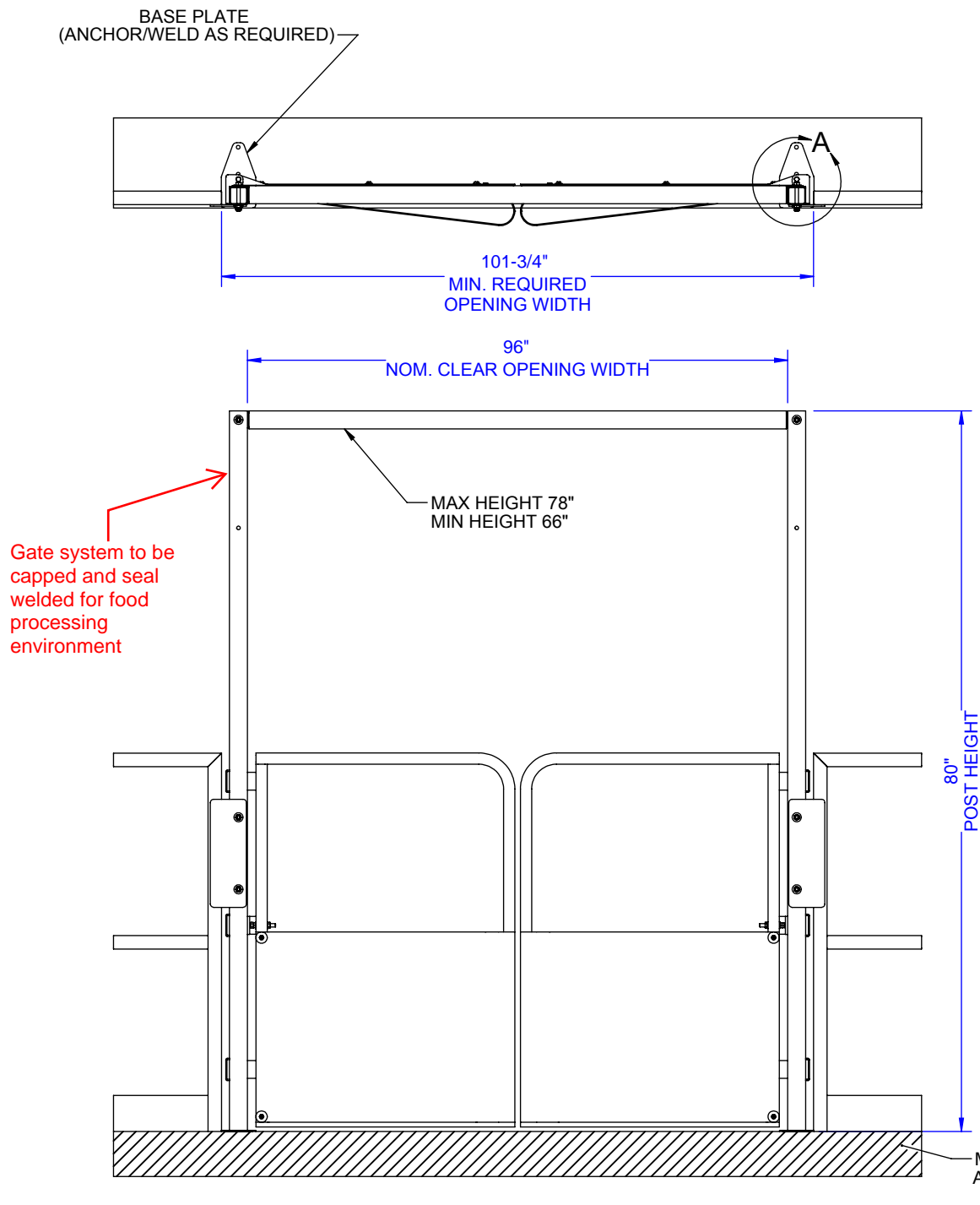
SUBMITTAL REVIEW
APPROVER IS REQUIRED TO ONE BOX ONLY AND SIGN

APPROVED; PROCEED WITH FABRICATION
 APPROVED WITH CORRECTIONS; PROCEED WITH FABRICATION
 REVISE AS NOTED & RESUBMIT
 REJECTED _____

Signature _____ Date _____

Printed Name _____

B.O.M. IS FOR QTY - 1				
ITEM NO.	PART NO.	DESCRIPTION	Qty	U/M
1	511652	PLG;LEFT HAND ASSY- 96" SST	1	EA
2	511653	PLG;RIGHT HAND ASSY-96" SST	1	EA
3	503246	PLG;ASSY CROSS BAR- 96" SST	1	EA
4	503196	PLG;VERTICAL POST PLATE SS	2	EA
5	506973	PLG;CARTON;84" X 7.5" X 44", KRAFT	1	EA
6	503199	BOLT;HEX3/8" 16X2 3/4SS	6	EA
7	501945	WASHER;FLAT 3/8"SS	8	EA
8	501119	NUT;NYLOCK 3/8" 16 316SS	6	EA



- GATE ARM: FORMED 1 1/4" SQUARE, 11GA TYPE 304 STAINLESS STEEL
- COLUMNS/CROSSBAR: 2" SQUARE, 11GA TYPE 304 STAINLESS STEEL
- HINGE SPRING: TORSION TYPE, STAINLESS STEEL PROVIDE (3) SPRINGS PER GATE, HOUSED WITHIN HINGE PIVOT.
- TEARDROP IMPACT BUMPERS: HIGH IMPACT CROSS-LINKED POLYETHYLENE BUMPERS WITH 3" PROJECTION. BLACK IN COLOR
- GATE OPERATION: ALLOWS FOR 180° OF TRAVEL.
- FINISH: FINISH ON ALL EXPOSED SURFACES TO BE TYPE 304-2B STAINLESS STEEL WELDS TO BE GROUND NOT POLISHED.

FINISH:
UNPAINTED 304 STAINLESS STEEL

REV.	REVISIONS	DATE	REVISED BY	<p align="center"><small>PROPRIETARY AND CONFIDENTIAL</small></p> <p align="center"><small>DRAWINGS ARE EXCLUSIVE PROPERTY OF PRODUCTION SPECIALTIES CORPORATION. PS DOORS AND CANNOT BE USED IN WHOLE OR PART WITHOUT WRITTEN CONSENT. © 2014 PS DOORS ALL RIGHTS RESERVED</small></p>	PRODUCT DESCRIPTION: Pallet Gate SST 96" x 84"	SN/WO:	PART #: PLG-9684-SST
					CUSTOMER: XXXXX	DWG STATUS: APPROVED FOR CONSTRUCTION	UNLESS OTHERWISE SPECIFIED
					CUSTOMER PO #: XXXXX	ESTIMATED ASSEMBLY WEIGHT: 287.10 LBS.	LINEAR ± .0312" (1/32")
					SALES ORDER NAME:	DWG #: PLG-9684-SST	CUTOUT ± .0156" (1/64")
					SALES ORDER #:	DWG BY: DT	SQUARENESS ± .0625" (1/16")
						CHECKED: /	ANGULAR ± .5°
WATERJET PROGRAM #:				FOLDING MACHINE PROGRAM #:		REV: B+	

PS DOORS

1150 48th St. S
 GRAND FORKS, ND 58201
 PH. 701-746-4519
 FAX 701-746-8340

Rev. Date: 091316