

WARNING: LOAD RATINGS OF GATES WILL VARY BASED ON INDIVIDUAL INSTALLATION

NOTE:
GATE TO ATTACH TO MEZZANINE FLOOR AND BE ATTACHED TO ADJACENT RAILING SYSTEM TO PROVIDE STABILITY TO GATE COLUMNS.

SUBMITTAL REVIEW

APPROVER IS REQUIRED TO ONE BOX ONLY AND SIGN

APPROVED; PROCEED WITH FABRICATION

APPROVED WITH CORRECTIONS; PROCEED WITH FABRICATION

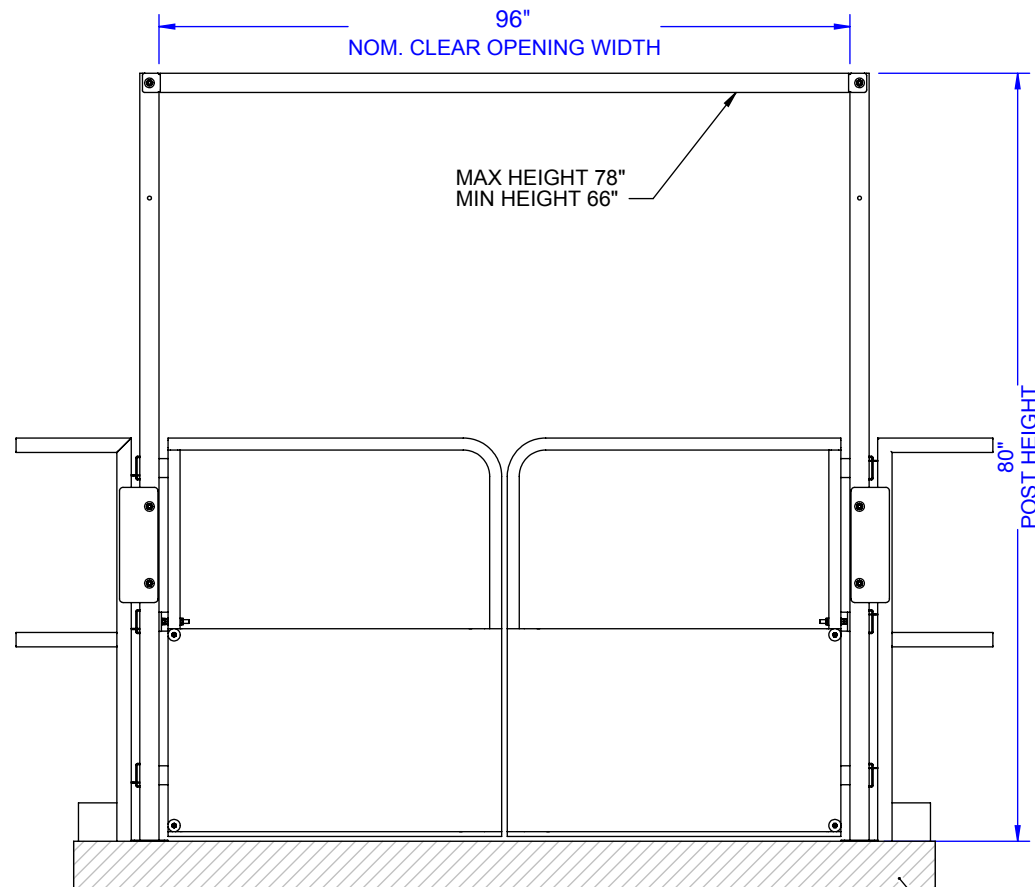
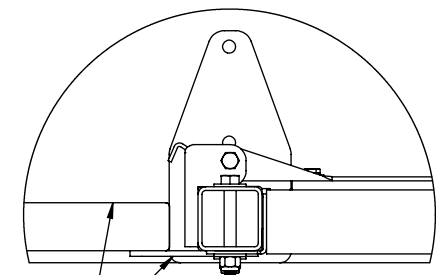
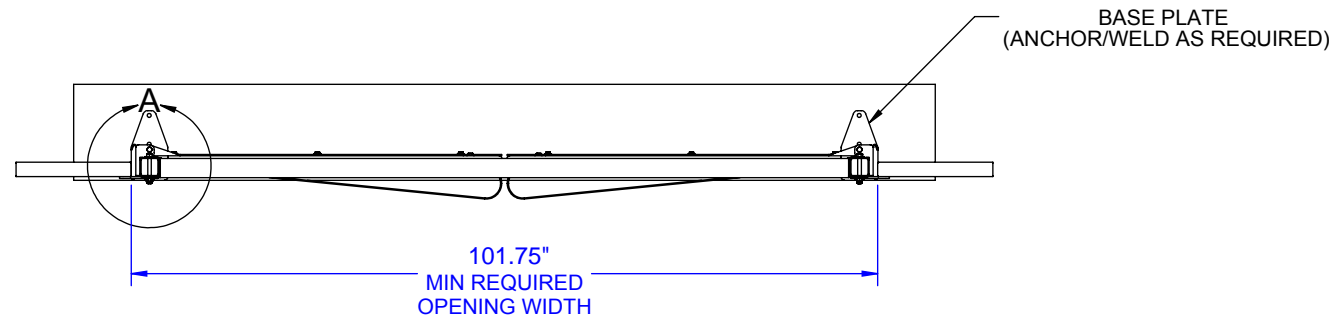
REVISE AS NOTED & RESUBMIT

REJECTED

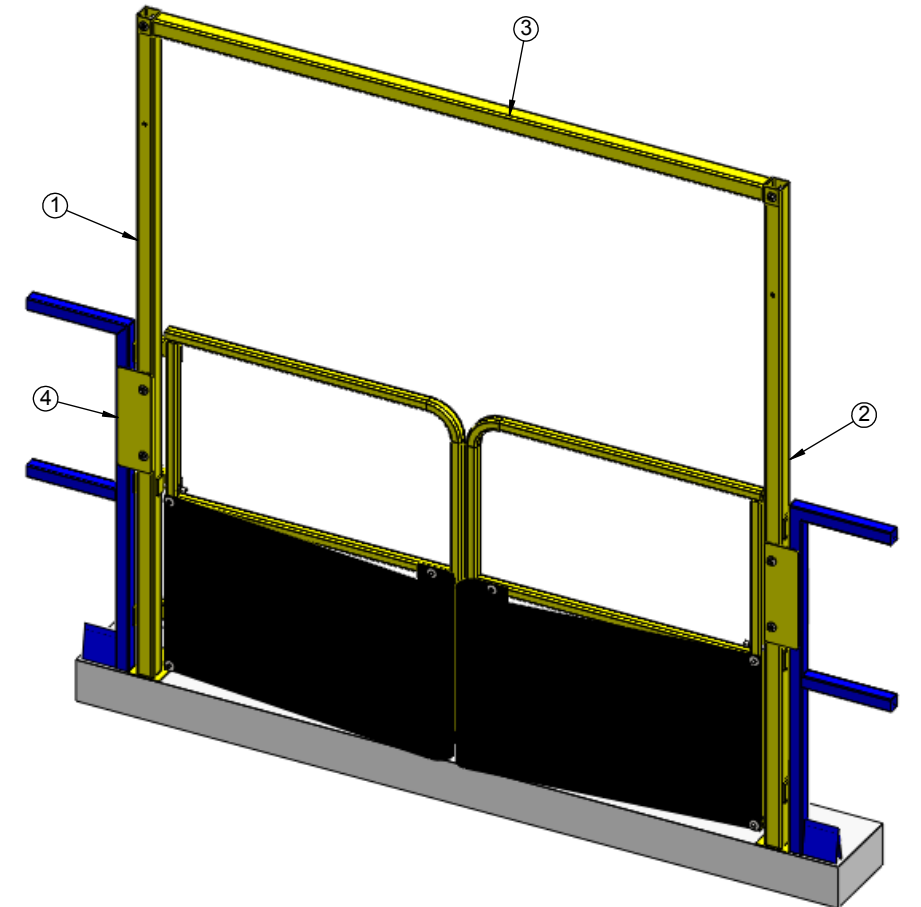
Signature _____ Date _____

Printed Name _____

B.O.M. IS FOR QTY - 1				
ITEM NO.	PART NO.	DESCRIPTION	Qty	U/M
1	511564	PLG;LEFT HAND ASSY- 96	1	EA
2	511565	PLG;RIGHT HAND ASSY- 96	1	EA
3	502510	PLG;ASSY CROSS BAR - 96" PCY	1	EA
4	502210	PLG;VERTICAL POST PLATE PCY	2	EA
5	506973	PLG;CARTON;84"X 7.5"X44",KRAFT	1	EA
6	500406	BOLT;HEX3/8"16X2 3/4GR5ZN	6	EA
7	501947	WASHER;FLAT 3/8"ZN	8	EA
8	501120	NUT;NYLOCK 3/8"16 ZN	6	EA



MEZZANINE DECK AS VIEWED FROM DECK BELOW



- GATE ARM: FORMED 1 1/4" SQUARE, 11GA
- COLUMNS/CROSSBAR: 2" SQUARE, 11GA
- HINGE SPRING: TORSION TYPE, STAINLESS STEEL PROVIDE (3) SPRINGS PER GATE, HOUSED WITHIN HINGE PIVOT.
- TEARDROP IMPACT BUMPERS: HIGH IMPACT CROSS-LINKED POLYETHYLENE BUMPERS WITH 3" PROJECTION. BLACK IN COLOR
- GATE OPERATION: ALLOWS FOR 180° OF TRAVEL.

FINISH ON ALL EXPOSED SURFACES TO BE POWDER COATED SAFETY YELLOW

FINISH:
POWDER COAT SAFETY YELLOW

REV.	REVISIONS	DATE	REVISED BY	PRODUCT DESCRIPTION: PALLET GATE, 96" x 84"	SN/WO:	PART #: PLG-9684
				CUSTOMER: XXXXX	DWG STATUS: FOR REFERENCE ONLY	UNLESS OTHERWISE SPECIFIED
				CUSTOMER PO #: XXXXX	ESTIMATED ASSEMBLY WEIGHT:	LINEAR ± .0312" (1/32")
				SALES ORDER NAME:	DWG #: 1	CUTOUT ± .0156" (1/64")
				SALES ORDER #:	DWG BY: DT	SQUARENESS ± .0625" (1/16")
				FOLDING MACHINE PROGRAM #:	CHECKED: /	ANGULAR ± .5°
				WATERJET PROGRAM #:	REV: B+	

PS DOORS

1150 48th St. S
GRAND FORKS, ND 58201
PH. 701-746-4519
FAX 701-746-8340