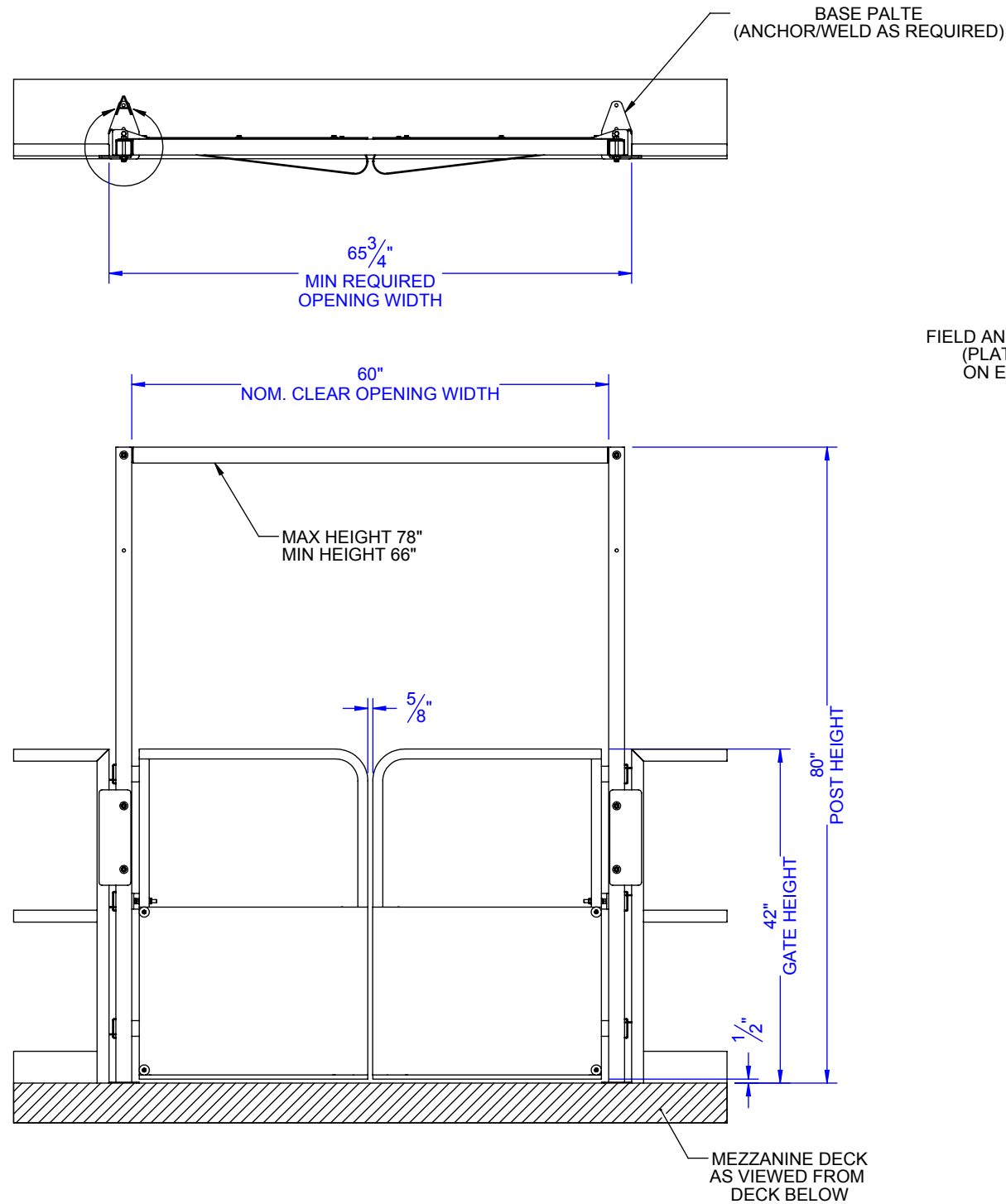


WARNING: LOAD RATINGS OF GATES WILL VARY BASED ON INDIVIDUAL INSTALLATION

NOTE:
GATE TO ATTACH TO MEZZANINE FLOOR AND BE ATTACHED TO ADJACENT RAILING SYSTEM TO PROVIDE STABILITY TO GATE COLUMNS.



SUBMITTAL REVIEW

APPROVER IS REQUIRED TO ONE BOX ONLY AND SIGN

APPROVED; PROCEED WITH FABRICATION

APPROVED WITH CORRECTIONS; PROCEED WITH FABRICATION

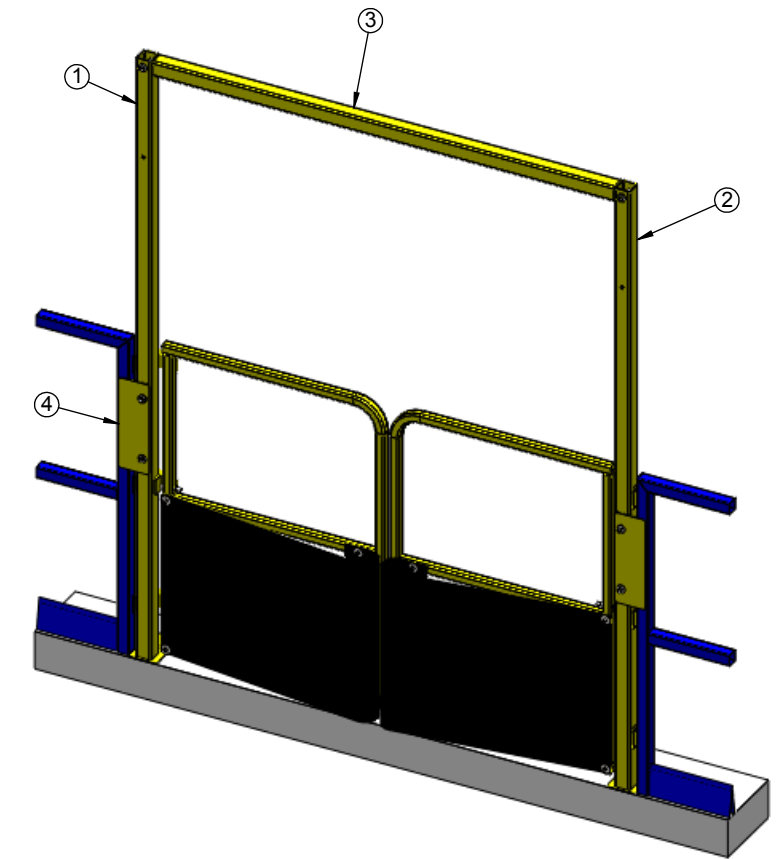
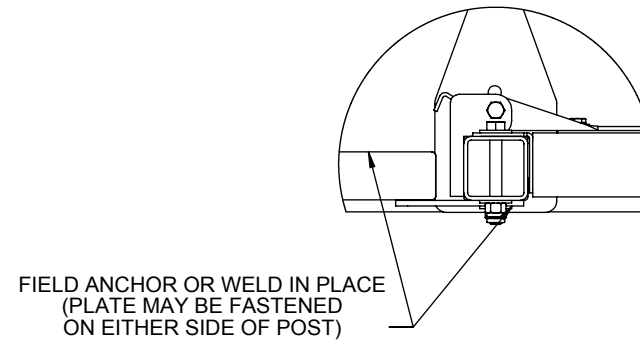
REVISE AS NOTED & RESUBMIT

REJECTED

Signature _____ Date _____

Printed Name _____

B.O.M. IS FOR QTY - 1				
ITEM NO.	PART NO.	DESCRIPTION	Qty	U/M
1	511560	PLG;LEFT HAND ASSY-60	1	EA
2	511561	PLG;RIGHT HAND ASSY-60	1	EA
3	502509	PLG;ASSY CROSS BAR - 60" PCY	1	EA
4	502210	PLG;VERTICAL POST PLATE PCY	2	EA
5	506973	PLG;CARTON;84"X 7.5"X44",KRAFT	1	EA
6	500406	BOLT;HEX3/8"16X2 3/4GR5ZN	6	EA
7	501947	WASHER;FLAT 3/8"ZN	8	EA
8	501120	NUT;NYLOCK 3/8"16 ZN	6	EA



- GATE ARM: FORMED 1 1/4" SQUARE, 11GA
- COLUMNS/CROSSBAR: 2" SQUARE, 11GA
- HINGE SPRING: TORSION TYPE, STAINLESS STEEL PROVIDE (3) SPRINGS PER GATE, HOUSED WITHIN HINGE PIVOT.
- TEARDROP IMPACT BUMPERS: HIGH IMPACT CROSS-LINKED POLYETHYLENE BUMPERS WITH 3" PROJECTION. BLACK IN COLOR
- GATE OPERATION: ALLOWS FOR 180° OF TRAVEL.
- FINISH: FINISH ON ALL EXPOSED SURFACES TO BE POWDER COATED SAFETY YELLOW

FINISH:
SHERWIN WILLIAMS POLYESTER POWDER COAT SAFETY YELLOW

REV.	REVISIONS	DATE	REVISED BY	PRODUCT DESCRIPTION: PALLET GATE, 60" X 84"	SN/WO:	PART #: PLG-6084
				CUSTOMER:	DWG STATUS:	UNLESS OTHERWISE SPECIFIED
				CUSTOMER PO #:	APPROVAL DRAWING	LINEAR ± .0312" (1/32")
				SALES ORDER NAME: PS DOORS - STOCK	ESTIMATED ASSEMBLY WEIGHT: 284.75 LBS.	CUTOUT ± .0156" (1/64")
				SALES ORDER #:	DWG #: PLG-6084	SQUARENESS ± .0625" (1/16")
				FOLDING MACHINE PROGRAM #:	DWG BY: adeshaw	ANGULAR ± .5°
				WATERJET PROGRAM #:	CHECKED: /	SCALE: NTS
					REV: B+	SHEET #: 1 OF 1

PS DOORS

1150 48th St. S
GRAND FORKS, ND 58201
PH. 701-746-4519
FAX 701-746-8340