

PALLET GATE MEASURING GUIDE & ORDER FORM



1150 S. 48TH STREET, GRAND FORKS, ND 58201
 PHONE: 701.746.4519 | TOLL FREE: 877.446.1519
 FAX: 701.746.8340 | WWW.PSINDUSTRIES.COM

QUOTATION REQUESTED PALLET GATE ORDER

SOLD/QUOTE TO:

Name: _____
 Company: _____
 Address: _____
 City, State, Zip: _____
 Phone: _____ Fax: _____
 E-Mail: _____

SHIP TO:

Name: _____ Date: _____
 Address: _____ P.O. #: _____
 City, State, Zip: _____ TAG: _____
 Phone: _____ SHIP VIA: _____

Location: _____

Models: PG - 6090 (60" Opening - Dimension A) PG - 7290 (72" Opening - Dimension A) PG - XX90 (Custom Opening - Dimension A)

Quantity: _____

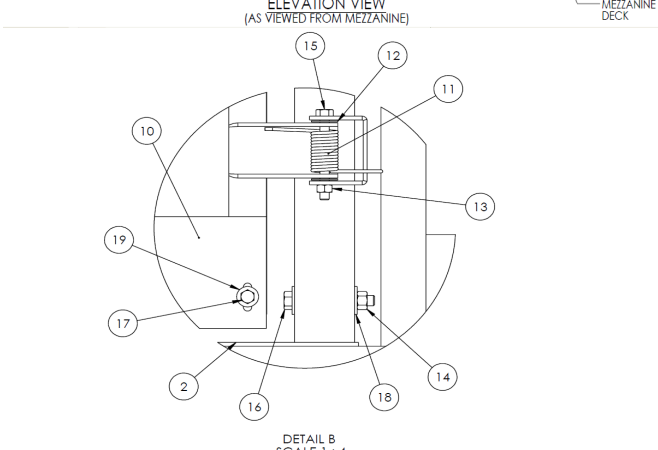
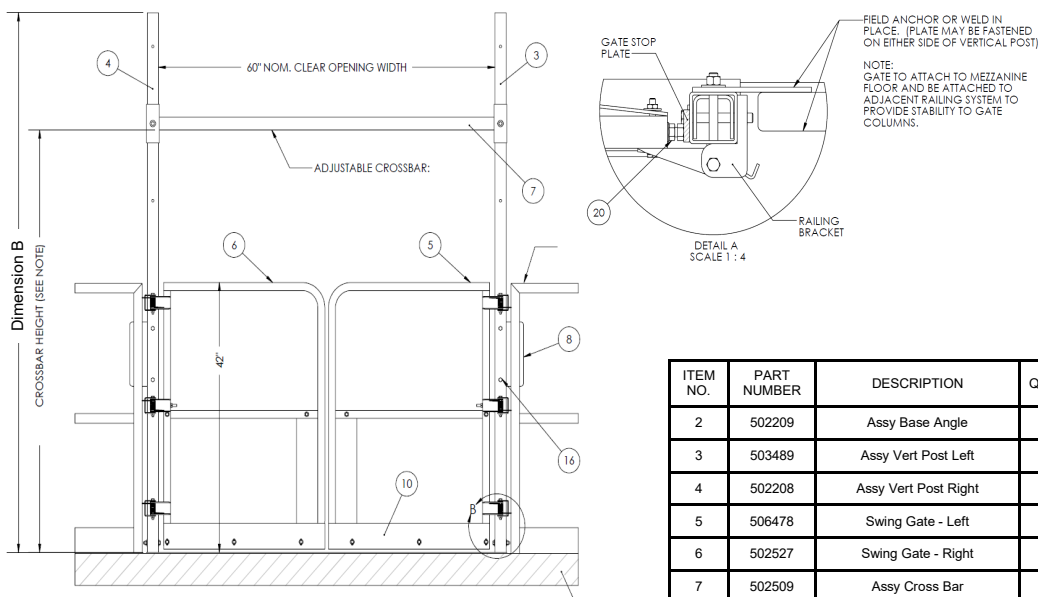
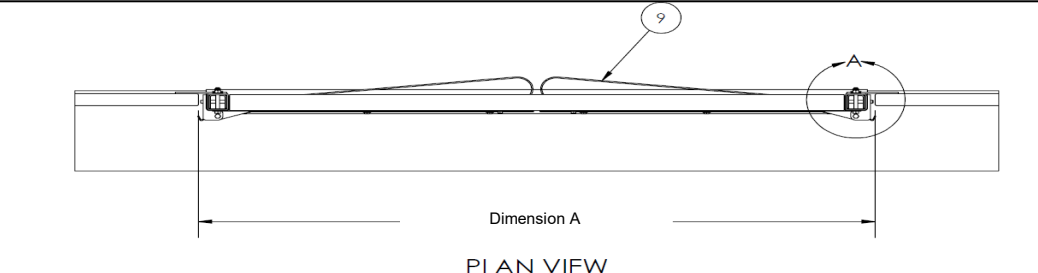
Custom Dimensions: Opening Width: _____ Dimension A
 Available Height: _____ Dimension B

Notes: _____

CUSTOM DRAWINGS FOR APPROVAL *If "NO" Approval Drawings are requested, the Name of the person "Declining" approval drawings must be shown below.*

Yes No

Name: _____ Date: _____



ITEM NO.	PART NUMBER	DESCRIPTION	QTY
2	502209	Assy Base Angle	1
3	503489	Assy Vert Post Left	1
4	502208	Assy Vert Post Right	1
5	506478	Swing Gate - Left	1
6	502527	Swing Gate - Right	1
7	502509	Assy Cross Bar	1
8	502210	Vertical Post Plate	2
9	501233	Bumper	2
10	502191	Toe Board	2
11	501659	Spring Torsion Sprin, St. Stil.	6
12	501018	Washer Nylon 875x.367x.04	12
13	501126	Nut; Nylock 5/16"18 Zn	6
14	501120	Nut; Nylock 3/8"16 Zn	8
15	500431	Bolt; Hex 5/16"18x3 Gr5 Zn	6
16	500406	Bolt; Hex 3/8"16X2 3/4 Gr5 Zn	10
17	500378	Bolt; Hex 1/4"20x2 Gr5 Zn	10
18	501947	Washer; Flat 3/8"Zn	12
19	501939	Washer; Flat 1/4" Zn USS	20
20	501085	Nut; Flange 3/8"16 Gr2 Zn	2
21	501124	Nut; Nylock Jam 1/4"20 Zn	10