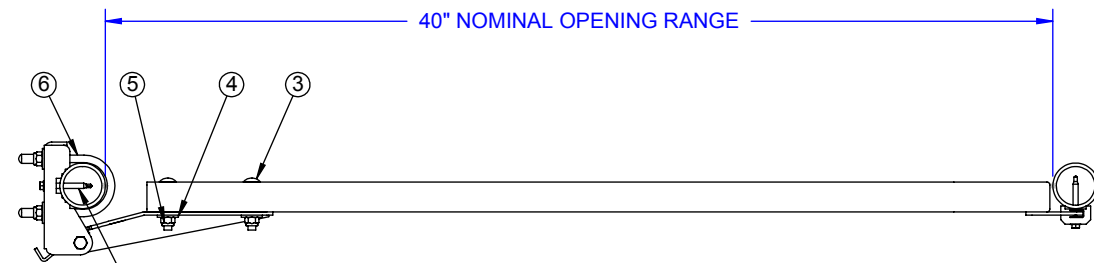
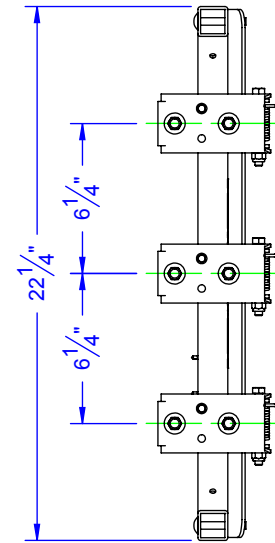
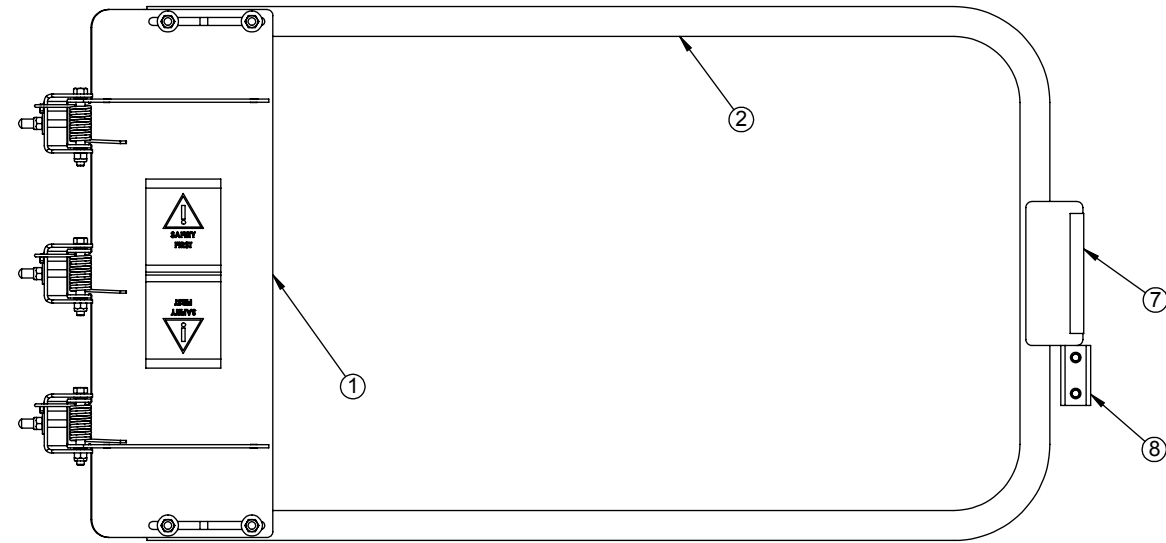


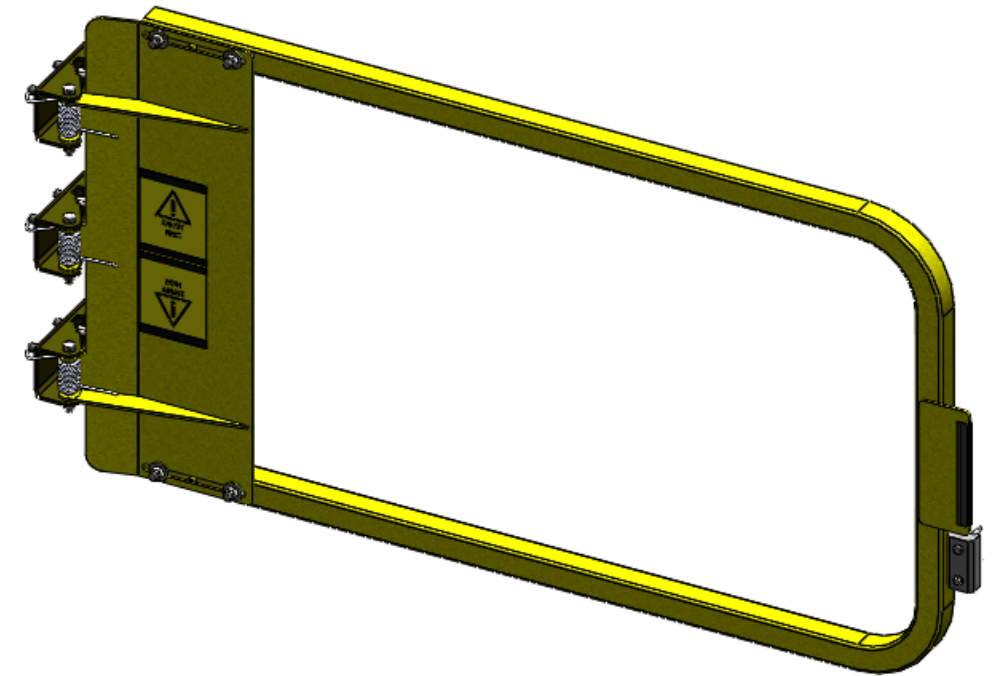
MODEL #	Description	*(LSG:HOOP LSG-XX-PCY) PART #	OPENING RANGES
LSG-40-PCY	LADDER SAFETY GATE PCY 40	502067	38-3/4" - 42-1/2"
LSG-44-PCY	LADDER SAFETY GATE PCY 44	502071	42-3/4" - 46-1/2"
LSG-48-PCY	LADDER SAFETY GATE PCY 48	500996	46-3/4" - 50-1/2"

Finishes: Powder Coat Yellow, Galvanized and Stainless Steel.



HEX HEAD SELF-DRILLER SCREWS (SCREW;HEXDRILL1/4X2ZN) ARE RECOMMENDED ON ALL GATES >= 40"

B.O.M. IS FOR QTY - 1				
ITEM NO.	PART NO.	DESCRIPTION	Qty	U/M
1	502082	LSG; HINGE PLATE LG ASM PCY	1	EA
2	502067	LSG;HOOPWELD-40-PCY	1	EA
3	500326	BOLT;CARRIAGE5/16"18X2GR5ZN	4	EA
4	501949	WASHER;FLAT 5/16"ZN	4	EA
5	501126	NUT;NYLOCK 5/16"18 ZN	4	EA
6	502204	LSG;HARDWARE BAG MOD; PCY/GAL/MS	1	EA
7	510376	LSG;STRIKE PLATE TRIM	1	EA
8	503633	LSG;SUPPORT BLOCK KIT	1	EA
9	502626	CARTON LSG 40" - 48"	1	EA
10	500496	CARTON; LADDER GATE INSERT	2	EA
11	509210	LSG; INSTALLATION/O & M MANUAL	1	EA



TOTAL PIECES FOR ORDER

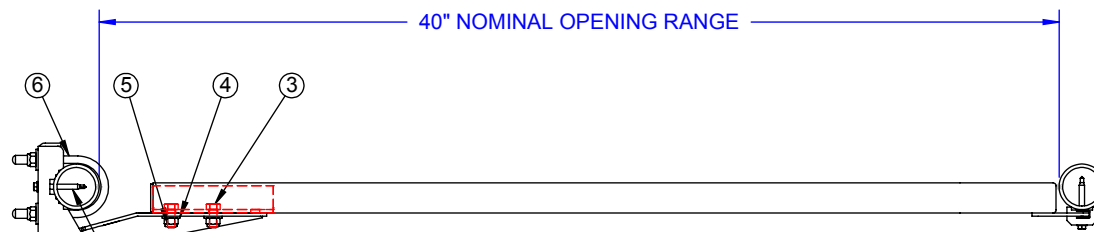
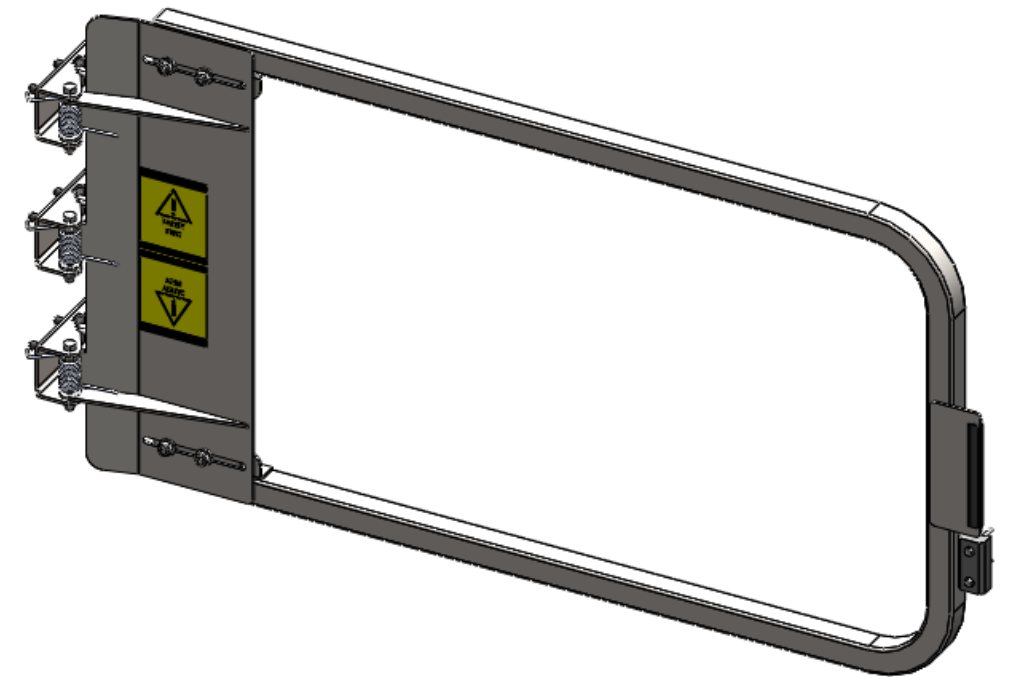
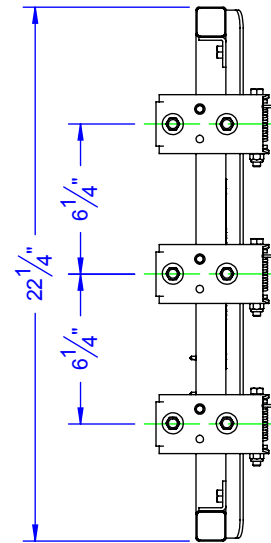
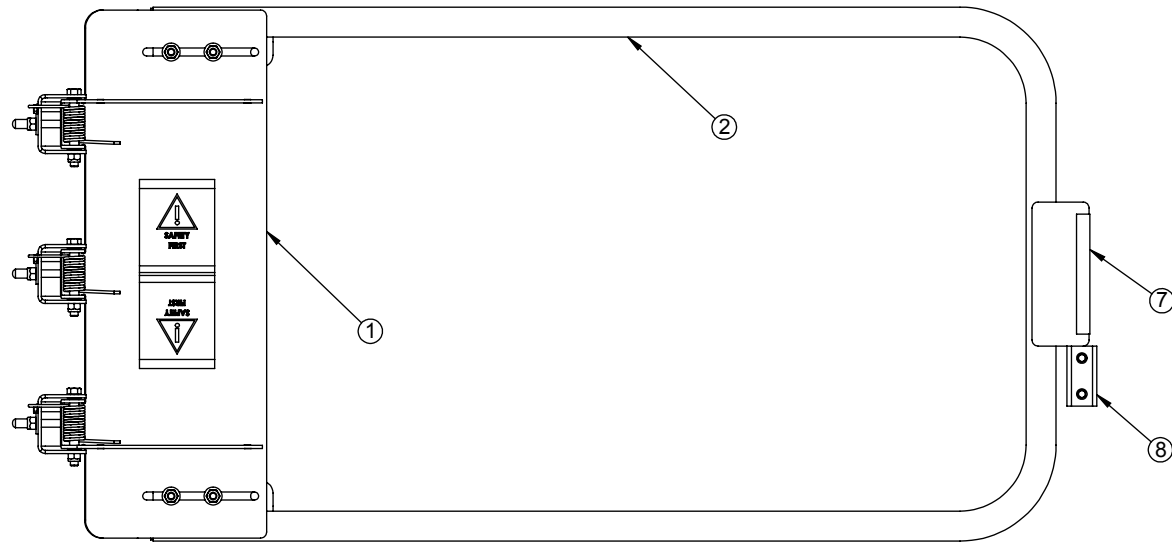
ESTIMATED PART/ASSY WEIGHT: 24.91 LBS.

FINISH: SHERWIN WILLIAMS POLYESTER POWDER COAT SAFETY YELLOW

REV.	REVISIONS	DATE	REVISED BY	PROPRIETARY AND CONFIDENTIAL DRAWINGS ARE EXCLUSIVE PROPERTY OF PRODUCTION SPECIALTIES CORPORATION PS DOORS AND CANNOT BE USED IN WHOLE OR PART WITHOUT WRITTEN CONSENT. © 2012 PS DOORS ALL RIGHTS RESERVED	DOOR/OPENING NAME:	SN:	SALES ORDER #:	QTY: 1	 1150 48th St. S GRAND FORKS, ND 58201 PH. 701-746-4519 FAX 701-746-8340 SHEET # 1 OF 1 REV: B+
					PRODUCT: LADDER SAFETY GATE PCY 40	DWG STATUS: FABRICATION DRAWING		DATE:	
					CUSTOMER: PS DOORS - STOCK	DWG #: LSG-40-PCY		SCALE: NTS	
					CUST PO #:	DWG BY: jhogberg	CHECKED: /		
					SALES ORDER NAME:				

MODEL #	Description	*(LSG:HOOP LSG-XX-SS-SW) PART #	OPENING RANGES
LSG-40-SS-SW	LADDER SAFETY GATE 316SS-SW 40	508268	38-3/4" - 42-1/2"
LSG-44-SS-SW	LADDER SAFETY GATE 316SS-SW 44	508270	42-3/4" - 46-1/2"
LSG-48-SS-SW	LADDER SAFETY GATE 316SS-SW 48	508271	46-3/4" - 50-1/2"

B.O.M. IS FOR QTY - 1				
ITEM NO.	PART NO.	DESCRIPTION	Qty	U/M
1	502083	LSG;HINGE PLATE LG ASSM-SSSW	1	EA
2	508268	LSG;HOOPWELD-40-316SSSW	1	EA
3	500430	BOLT;HEX5/16"18X3/4SS	4	EA
4	501948	WASHER;FLAT 5/16"X 3/4 316SS	4	EA
5	501121	NUT; NYLOCK 5/16"-18, 316SS	4	EA
6	510976	LSG;HARDWARE BAG MOD; SS	1	EA
7	510376	LSG;STRIKE PLATE TRIM	1	EA
8	503753	LSG;SUPPORT BLOCK KIT-SST	1	EA
9	502626	CARTON LSG 40" - 48"	1	EA
10	500496	CARTON; LADDER GATE INSERT	2	EA
11	509210	LSG; INSTALLATION/O & M MANUAL	1	EA



HEX HEAD SELF-DRILLER SCREWS (SCREW;HEXDRILL1/4X2ZN) ARE RECOMMENDED ON ALL GATES >= 40"

TOTAL PIECES FOR ORDER

ESTIMATED PART/ASSY WEIGHT: 20.21 LBS.

FINISH: 316 STAINLESS STEEL

C:\Users\jhogberg\Desktop\PDM Workgroup (Working Directory)\LSG-40-SS-SW; 7/9/2012

REV.	REVISIONS	DATE	REVISED BY	DOOR/OPENING NAME:	SN:	SALES ORDER #:	QTY: 1	 <small>1150 48th St. S GRAND FORKS, ND 58201 PH. 701-746-4519 FAX 701-746-8340</small>
				PRODUCT: LADDER SAFETY GATE SS-SW 40	DWG STATUS: APPROVAL DRAWING		DATE: 7/9/2012	
				CUSTOMER: PS DOORS - STOCK	DWG #: LSG-40-SS-SW		SCALE: NTS	
				CUST PO #:	DWG BY: jhogberg	CHECKED: /		
				SALES ORDER NAME:				SHEET #1 OF 1 REV: B+