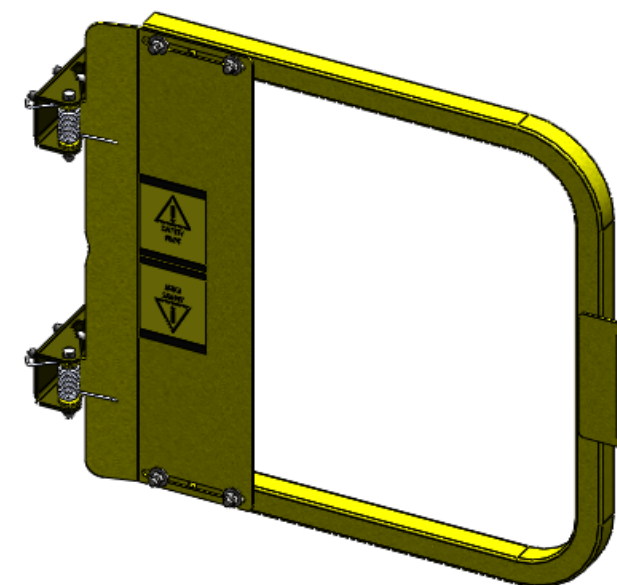
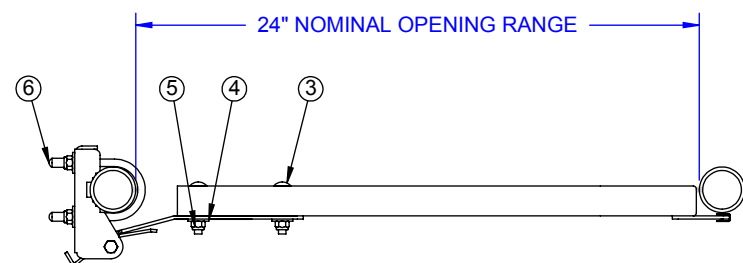
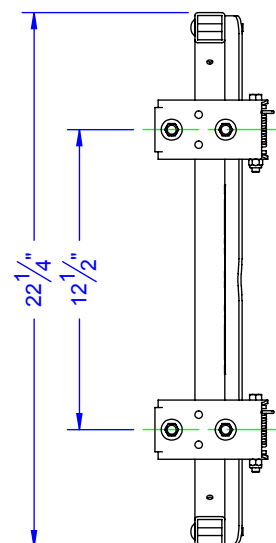
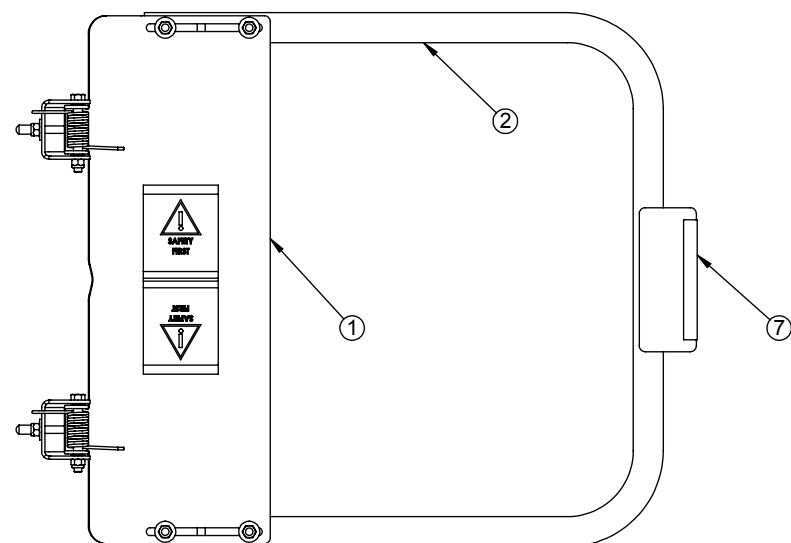


MODEL #	Description	*(LSG:HOOP LSG-XX-PCY) PART #	OPENING RANGES
LSG-15-PCY	LADDER SAFETY GATE PCY 15	500964	13-3/4" - 17-1/2"
LSG-18-PCY	LADDER SAFETY GATE PCY 18	500967	16-3/4" - 20-1/2"
LSG-21-PCY	LADDER SAFETY GATE PCY 21	500971	19-3/4" - 23-1/2"
LSG-24-PCY	LADDER SAFETY GATE PCY 24	500975	22-3/4" - 26-1/2"
LSG-27-PCY	LADDER SAFETY GATE PCY 27	500979	25-3/4" - 29-1/2"
LSG-30-PCY	LADDER SAFETY GATE PCY 30	500983	28-3/4" - 32-1/2"
LSG-33-PCY	LADDER SAFETY GATE PCY 33	500987	31-3/4" - 35-1/2"
LSG-36-PCY	LADDER SAFETY GATE PCY 36	500991	34-3/4" - 38-1/2"

Finishes: Available in Powder Coat Yellow, Hot-dip Galvanized and Stainless Steel.


B.O.M. IS FOR QTY - 1				
ITEM NO.	PART NO.	DESCRIPTION	Qty	U/M
1	502079	LSG;HINGE PLATE ASSEMBLY-PCY	1	EA
2	500975	LSG;HOOPWELD-24-PCY	1	EA
3	500326	BOLT;CARRIAGE5/16"18X2GR5ZN	4	EA
4	501949	WASHER;FLAT 5/16"ZN	4	EA
5	501126	NUT;NYLOCK 5/16"18 ZN	4	EA
6	502075	LSG;HARDWARE BAG PCY/GAL/MS	1	EA
7	510376	LSG;STRIKE PLATE TRIM	1	EA
8	500496	CARTON; LADDER GATE INSERT	2	EA
9	500490	CARTON LSG 15" - 24"	1	EA
10	509210	LSG; INSTALLATION/O & M MANUAL	1	EA



TOTAL PIECES FOR ORDER

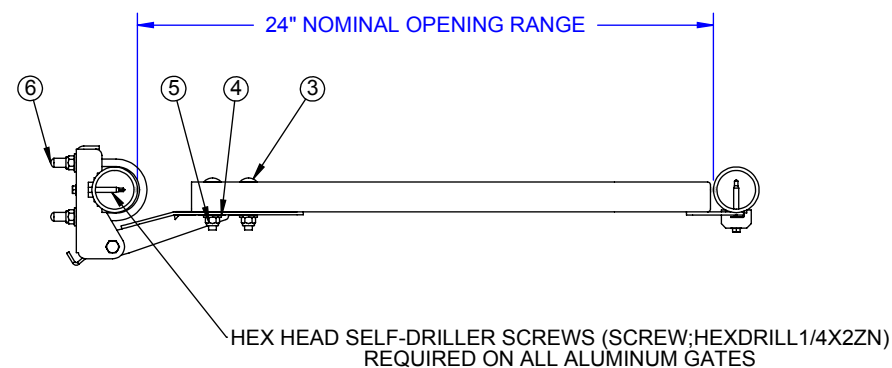
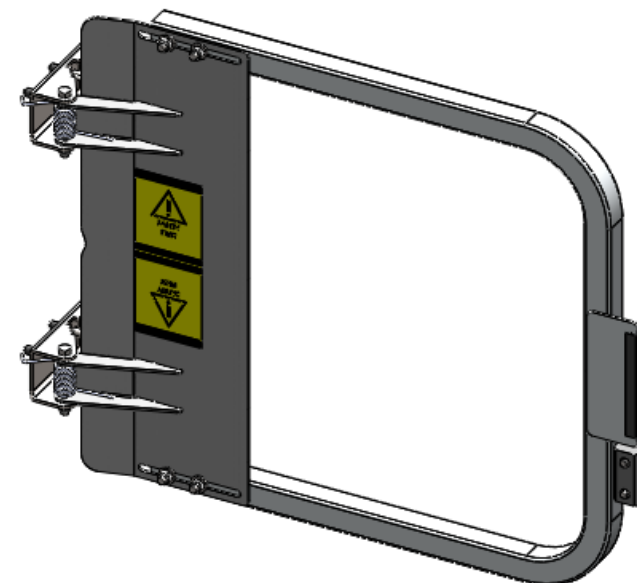
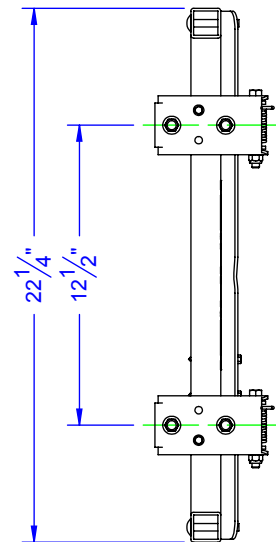
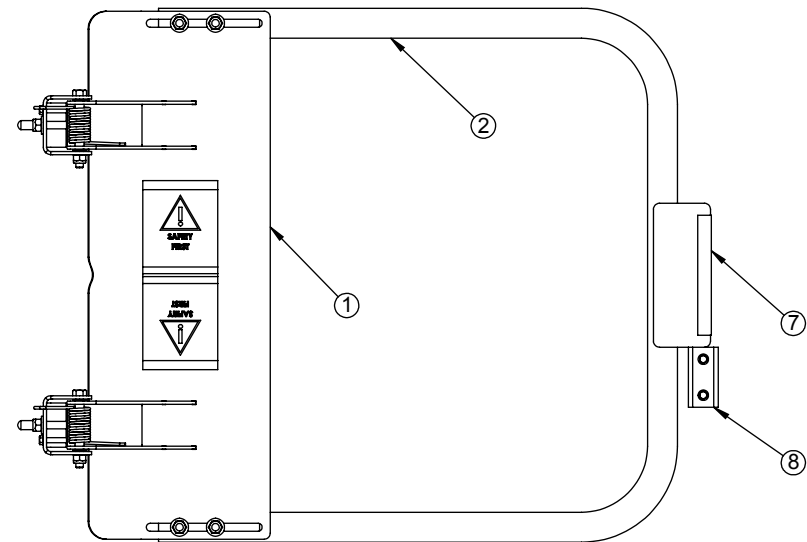
ESTIMATED PART/ASSY WEIGHT: 18.36 LBS.

FINISH: SHERWIN WILLIAMS POLYESTER POWDER COAT SAFETY YELLOW

REV.	REVISIONS	DATE	REVISED BY	PROPRIETARY AND CONFIDENTIAL DRAWINGS ARE EXCLUSIVE PROPERTY OF PRODUCTION SPECIALTIES CORPORATION PS DOORS AND CANNOT BE USED IN WHOLE OR PART WITHOUT WRITTEN CONSENT. © 2012 PS DOORS ALL RIGHTS RESERVED	DOOR/OPENING NAME:	SN:	SALES ORDER #:	QTY: 1	 1150 48th St. S GRAND FORKS, ND 58201 PH. 701-746-4519 FAX 701-746-8340
					PRODUCT: LADDER SAFETY GATE PCY 24	DWG STATUS: APPROVAL DRAWING		DATE:	
					CUSTOMER: PS DOORS - STOCK	DWG #: LSG-24-PCY/GAL/SS		SCALE: NTS	
					CUST PO #:	DWG BY: jhogberg	CHECKED: /		
					SALES ORDER NAME:				SHEET # 1 OF 1 REV: B+

MODEL #	Description	*(LSG:HOOP LSG-XX-ALUM) PART #	OPENING RANGES
LSG-18-ALUM	LADDER SAFETY GATE ALUM 18	509881	16-3/4" - 20-1/2"
LSG-21-ALUM	LADDER SAFETY GATE ALUM 21	509883	19-3/4" - 23-1/2"
LSG-24-ALUM	LADDER SAFETY GATE ALUM 24	509815	22-3/4" - 26-1/2"
LSG-27-ALUM	LADDER SAFETY GATE ALUM 27	509885	25-3/4" - 29-1/2"
LSG-30-ALUM	LADDER SAFETY GATE ALUM 30	509887	28-3/4" - 32-1/2"
LSG-33-ALUM	LADDER SAFETY GATE ALUM 33	509889	31-3/4" - 35-1/2"
LSG-36-ALUM	LADDER SAFETY GATE ALUM 36	509891	34-3/4" - 38-1/2"

B.O.M. IS FOR QTY - 1				
ITEM NO.	PART NO.	DESCRIPTION	Qty	U/M
1	509816	LSG;HINGE PLATE ASSEMBLY-ALUM	1	EA
2	509815	LSG;HOOPWELD-24-ALUM	1	EA
3	509980	BOLT;CARRIAGE5/16"18X2"SS	4	EA
4	501948	WASHER;FLAT 5/16"X 3/4 316SS	4	EA
5	501121	NUT; NYLOCK 5/16"-18, 316SS	4	EA
6	502076	LSG;HARDWARE BAG, 316SS	1	EA
7	510376	LSG;STRIKE PLATE TRIM	1	EA
8	503753	LSG;SUPPORT BLOCK KIT-SST	1	EA
9	500490	CARTON LSG 15" - 24"	1	EA
10	500496	CARTON; LADDER GATE INSERT	2	EA
11	509210	LSG; INSTALLATION/O & M MANUAL	1	EA



TOTAL PIECES FOR ORDER

ESTIMATED PART/ASSY WEIGHT: 8.58 LBS.

FINISH:

C:\Users\jhogberg\Desktop\To Vault\LSG-24-ALUM: 7/9/2012

REV.	REVISIONS	DATE	REVISED BY

PROPRIETARY AND CONFIDENTIAL
 DRAWINGS ARE EXCLUSIVE PROPERTY OF
 PRODUCTION SPECIALTIES CORPORATION
 PARTS CANNOT BE USED IN WHOLE OR
 PART WITHOUT WRITTEN CONSENT. © 2012
 PS DOORS ALL RIGHTS RESERVED

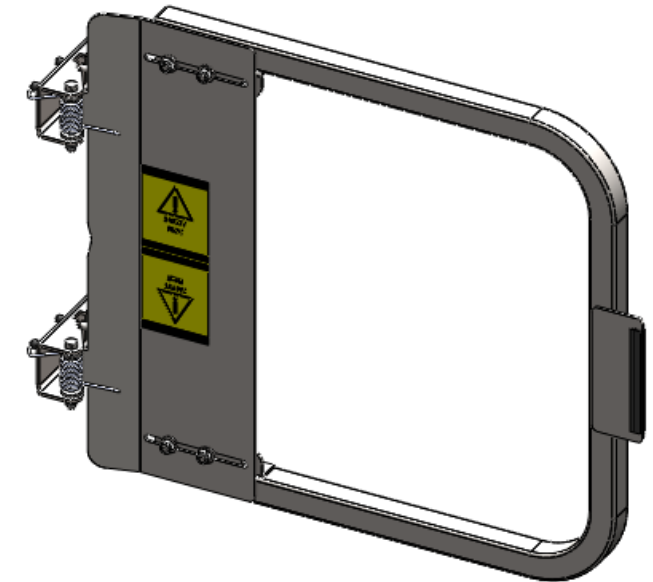
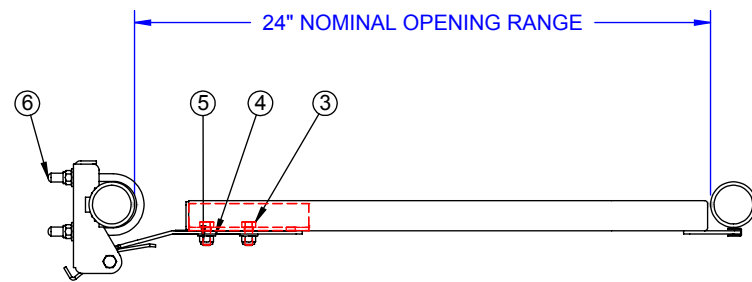
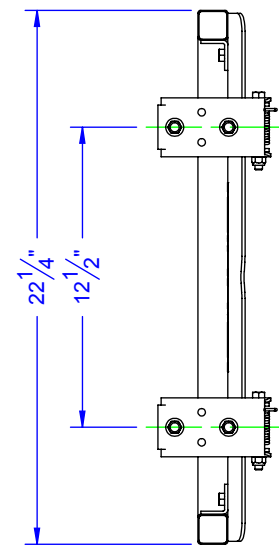
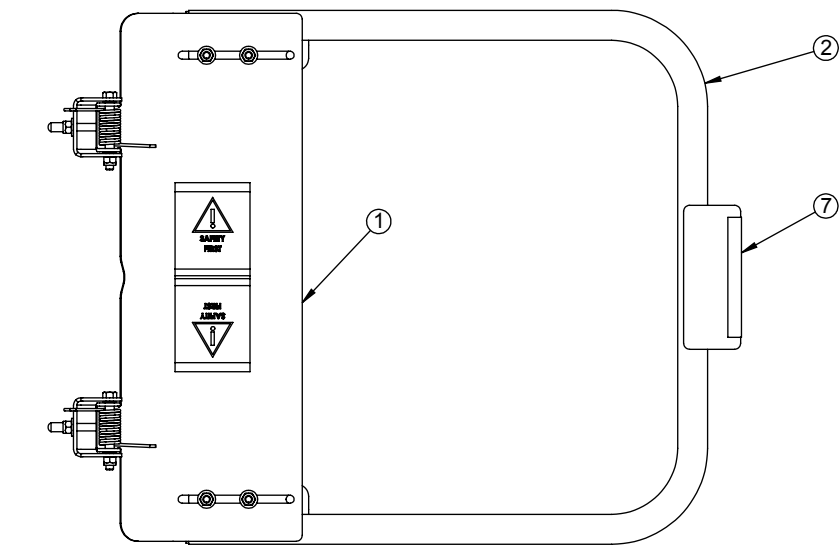
DOOR/OPENING NAME:	SN:	SALES ORDER #:	QTY: 1
PRODUCT: LADDER SAFETY GATE ALUM 24	DWG STATUS: APPROVAL DRAWING	DATE: 7/9/2012	SCALE: NTS
CUSTOMER: PS DOORS - STOCK	DWG #: LSG-24-ALUM	CHECKED: /	SHEET # 1 OF 1
CUST PO #:	DWG BY: jhogberg	REV: B+	
SALES ORDER NAME:			

ESTIMATED PART/ASSY WEIGHT: 8.58 LBS.	FINISH:
---------------------------------------	---------

PS DOORS
 MANUFACTURING DIVISION
 1150 48th St. S
 GRAND FORKS, ND 58201
 PH. 701-746-4519
 FAX 701-746-8340

MODEL #	Description	*(LSG:HOOP LSG-XX-SS-SW) PART #	OPENING RANGES
LSG-15-SS-SW	LADDER SAFETY GATE 316SS-SW 15	508260	13-3/4" - 17-1/2"
LSG-18-SS-SW	LADDER SAFETY GATE 316SS-SW 18	508261	16-3/4" - 20-1/2"
LSG-21-SS-SW	LADDER SAFETY GATE 316SS-SW 21	508262	19-3/4" - 23-1/2"
LSG-24-SS-SW	LADDER SAFETY GATE 316SS-SW 24	508263	22-3/4" - 26-1/2"
LSG-27-SS-SW	LADDER SAFETY GATE 316SS-SW 27	508264	25-3/4" - 29-1/2"
LSG-30-SS-SW	LADDER SAFETY GATE 316SS-SW 30	508265	28-3/4" - 32-1/2"
LSG-33-SS-SW	LADDER SAFETY GATE 316SS-SW 33	508266	31-3/4" - 35-1/2"
LSG-36-SS-SW	LADDER SAFETY GATE 316SS-SW 36	508267	34-3/4" - 38-1/2"

B.O.M. IS FOR QTY - 1				
ITEM NO.	PART NO.	DESCRIPTION	Qty	U/M
1	502080	LSG;HINGE PLATE ASSEMBLY-SSSW	1	EA
2	508263	LSG;HOOPWELD-24-316SSSW	1	EA
3	500430	BOLT;HEX5/16"18X3/4SS	4	EA
4	501948	WASHER;FLAT 5/16"X 3/4 316SS	4	EA
5	501121	NUT; NYLOCK 5/16"-18, 316SS	4	EA
6	502076	LSG;HARDWARE BAG, 316SS	1	EA
7	510376	LSG;STRIKE PLATE TRIM	1	EA
8	500490	CARTON LSG 15" - 24"	1	EA
9	500496	CARTON; LADDER GATE INSERT	2	EA
10	509210	LSG; INSTALLATION/O & M MANUAL	1	EA



TOTAL PIECES FOR ORDER

FINISH:
316 STAINLESS STEEL

REV.	REVISIONS	DATE	REVISED BY

PROPRIETARY AND CONFIDENTIAL
DRAWINGS ARE EXCLUSIVE PROPERTY OF
PRODUCTION SPECIALTIES CORPORATION
PS DOORS AND CANNOT BE USED IN WHOLE OR
PART WITHOUT WRITTEN CONSENT.
PS DOORS ALL RIGHTS RESERVED

PRODUCT DESCRIPTION: LADDER SAFETY GATE SS-SW 24		SN/WO:	PART #: LSG-24-SS-SW
CUSTOMER: PS DOORS - STOCK	DWG STATUS: APPROVAL DRAWING	UNLESS OTHERWISE SPECIFIED	DATE: 7/9/2012
CUSTOMER PO #:	ESTIMATED ASSEMBLY WEIGHT: 15.90 LBS.	LINEAR ± .0312" (1/32")	SCALE: NTS
SALES ORDER NAME:	DWG #: LSG-24-SS-SW	CUTOUT ± .0156" (1/64")	SHEET #: 1 OF 1
SALES ORDER #:	DWG BY: jhogberg	SQUARENESS ± .0625" (1/16")	REV: B+
WATERJET PROGRAM #:	FOLDING MACHINE PROGRAM #:	ANGULAR ± .5°	CHECKED: /

