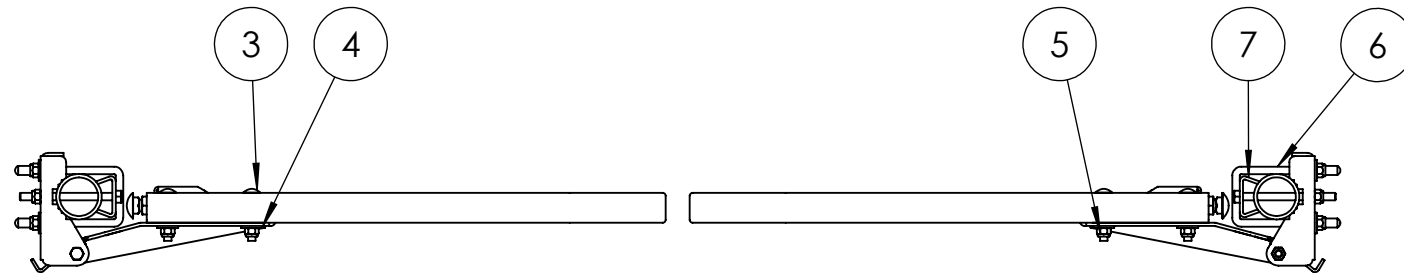
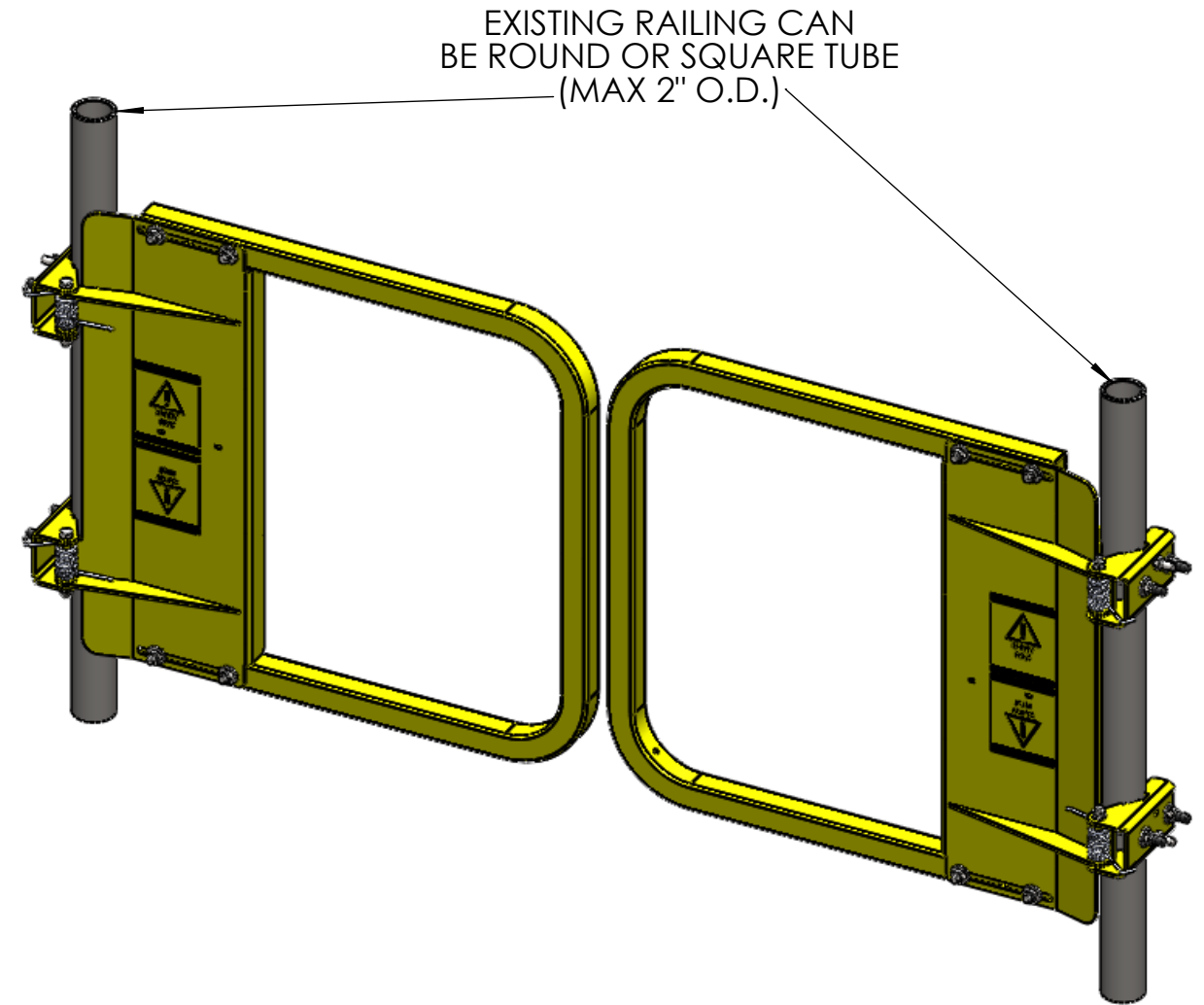
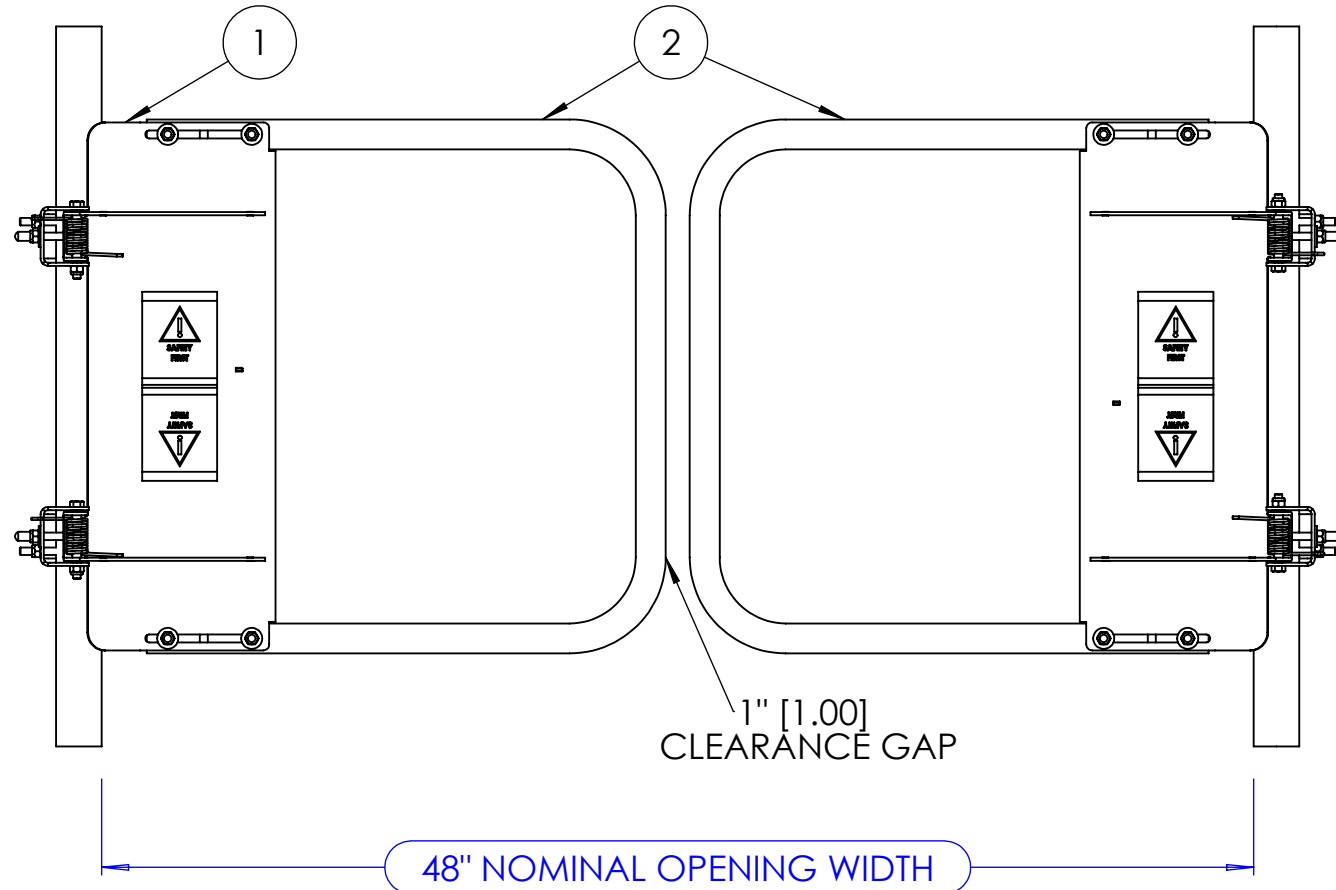



MODEL #	DESCRIPTION	OPENING RANGES
LSGDBL-9-PCY/GAL	Ladder Gate Double 18 Wide	16" - 22 1/2"
LSGDBL-12-PCY/GAL	Ladder Gate Double 24 Wide	22" - 28 1/2"
LSGDBL-15-PCY/GAL	Ladder Gate Double 30 Wide	28" - 34 1/2"
LSGDBL-18-PCY/GAL	Ladder Gate Double 36 Wide	34" - 40 1/2"
LSGDBL-21-PCY/GAL	Ladder Gate Double 42 Wide	40" - 46 1/2"
LSGDBL-24-PCY/GAL	Ladder Gate Double 48 Wide	46" - 52 1/2"

ITEM NO.	PART NO.	DESCRIPTION	Qty
1	510410	LSG;HINGEPLT ASSY/PT,GS,SP-PCY	2
2	510408	LSG;HOOP-24-PCY	2
3	500326	BOLT;CARRIAGE5/16"18X2GR5ZN	8
4	501949	WASHER;FLAT 5/16"ZN	8
5	501126	NUT;NYLOCK 5/16"18 ZN	8
6	510396	LSGDBL;HARDWARE BAG PCY/GAL/MS	2
7	510413	LSG;RAILING SUPPORT CHAN-PCY	2



ESTIMATED PART/ASSY WEIGHT: 44 LBS.
 FINISH: SHERWIN WILLIAMS POLYESTER POWDER COAT SAFETY YELLOW

REV.	REVISIONS	DATE	REVISED BY	DOOR/OPENING NAME:	SN:	SALES ORDER #:	QTY: 1	 1150 48th St. S GRAND FORKS, ND 58201 PH. 701-746-4519 FAX 701-746-8340
				PRODUCT: DBL LADDER SAFETY GATE PCY 24	DWG STATUS: APPROVAL DRAWING		DATE:	
				CUSTOMER:	DWG #: LSGDBL-24-PCY		SCALE: NTS	
				CUST PO #:	DWG BY: jhogberg	CHECKED: /		
				SALES ORDER NAME:			SHEET # 1 OF 1 REV: B+	