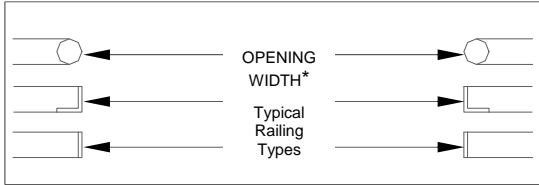


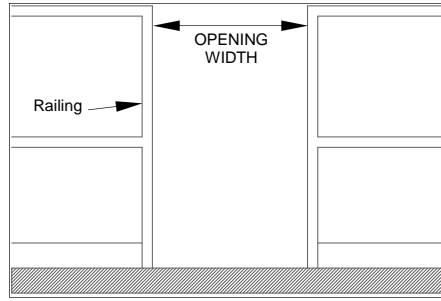
LADDER SAFETY GATE MEASURING GUIDE & ORDER FORM



1150 S. 48TH STREET, GRAND FORKS, ND 58201
 PHONE: 701.746.4519 | TOLL FREE: 877.446.1519
 FAX: 701.746.8340 | WWW.PSSAFETYACCESS.COM

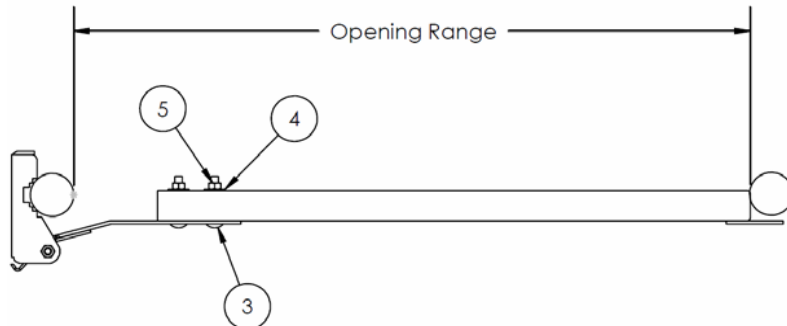
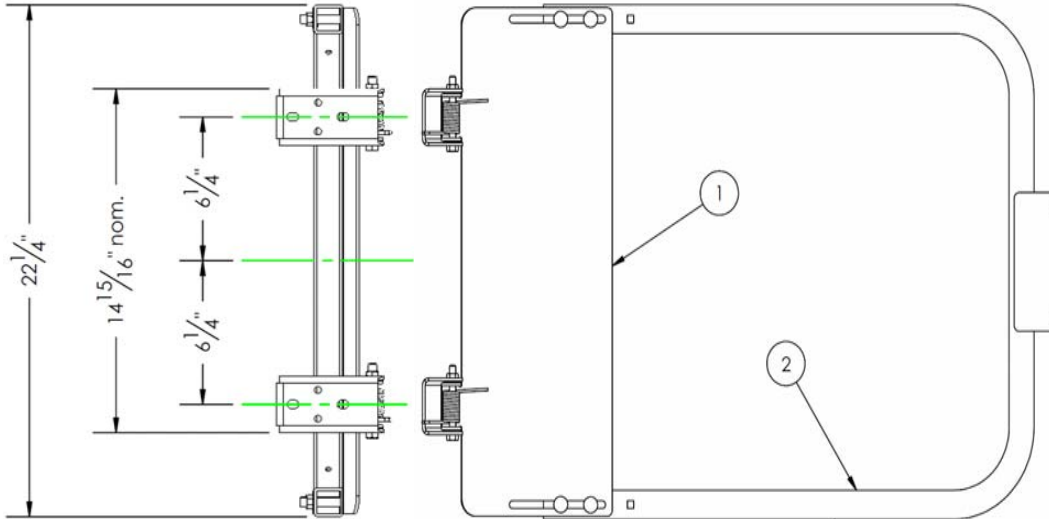


Top View Looking Down on Typical Railing Openings



Elevation View

* If bolting to angle iron, flat bar or wall surface, order Ladder Safety Gate size 2-1/2" smaller to account for mounting location.



QUOTATION REQUESTED LADDER SAFETY GATE ORDER

SOLD/QUOTE TO:

Name: _____
 Company: _____
 Address: _____
 City, State, Zip: _____
 Phone: _____ Fax: _____
 E-Mail: _____

SHIP TO:

Name: _____ Date: _____
 Address: _____ P.O. #: _____
 City, State, Zip _____ TAG: _____
 Phone: _____ SHIP VIA: _____

Location: _____

ITEM NO.	PART NUMBER	DESCRIPTION	Qty.
1	502079	LSG - Hinge Plate Assembly	1
2	5009XX	LSG - Hoop	1
3	500326	Bolt: Carriage 5/16" 18x2Gr5Zn	4
4	501949	Washer; Flat 5/16"Zn	4
5	501126	Nut; Nylock 5/16"18Zn	4

Put Qty in White Cells	LADDER SAFETY GATE: MODEL/SIZE							
	(Gate Will Fit Ranges Listed Below)							
Opening Width	13-3/4" to 17-1/2"	16-3/4" to 20-1/2"	19-3/4" to 23-1/2"	22-3/4" to 26-1/2"	25-3/4" to 29-1/2"	28-3/4" to 32-1/2"	31-3/4" to 35-1/2"	34-3/4" to 38-1/2"
FINISH	LSG-15	LSG-18	LSG-21	LSG-24	LSG-27	LSG-30	LSG-33	LSG-36
GAL								
PCY								
SST								
SSSW								

Finish Key:
 • GAL - Hot Dipped Galvanized • SS - Stainless Steel • ALU - Aluminum (18-36" only)
 • PCY - Powder Coat Safety Yellow • SS-SW- Stainless Steel Food Processing