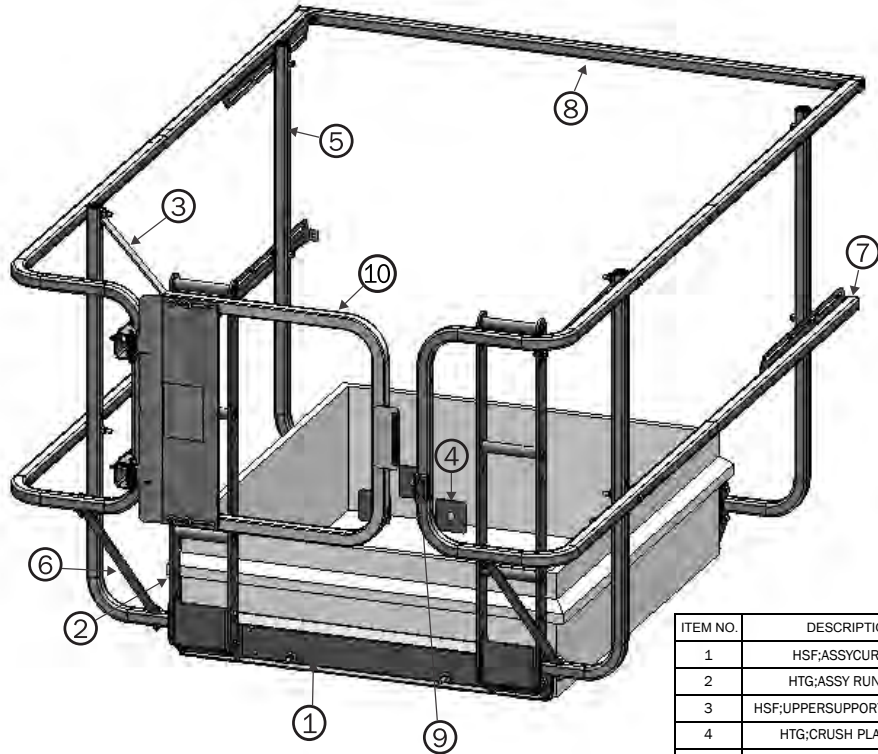
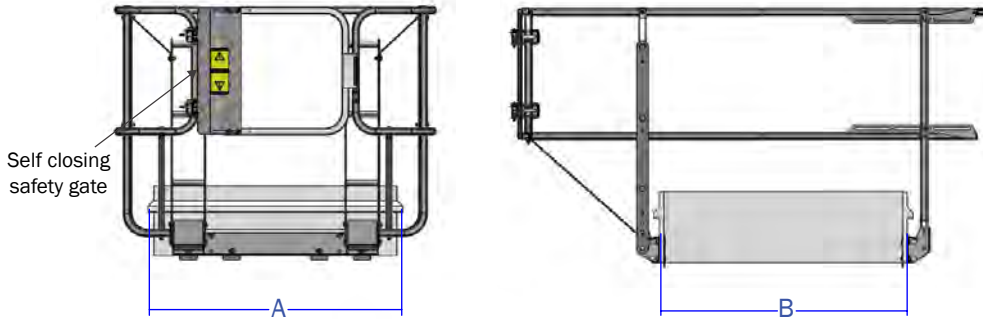


HATCHSAFE® MEASURING GUIDE & ORDER FORM



Toll Free 877-446-1519
 Phone: 701-746-4519
 Fax 701-746-8340
 Website: www.psddoors.com



ITEM NO.	DESCRIPTION	QTY
1	HSF;ASSYCURB-PCG	2
2	HTG;ASSY RUNG-PCG	2
3	HSF;UPPERSUPPORTSTRAP-PCG	2
4	HTG;CRUSH PLATE-PCG	12
5	HSF;VERTSUPPORTASSY-PCG	4
6	HSF;LOWERSUPPORTSTRAP-PCG	2
7	HSF;ASSY SIDE RAIL-PCG	2
8	HSF;BACKCROSSASSY-PCG	1
9	LSG;SUPPORT BLOCK KIT	1
10	LADDER SAFETY GATE GAL	1

QUOTATION REQUESTED HATCHSAFE® ORDER

SOLD/QUOTE TO:

Name: _____
 Company: _____
 Address: _____
 City, State, Zip: _____
 Phone: _____ Fax: _____
 E-Mail: _____

SHIP TO: SAME AS ABOVE

Name: _____ Date: _____
 Address: _____ P.O. #: _____
 City, State, Zip: _____ TAG: _____
 Phone: _____ SHIP VIA: _____

Location: _____

Quantity	ITEM #	DESCRIPTION	Fits Curb Ranges:	
			A Range	B Range
	HSF-4848MG	HatchSafe®	30" → 48"	30" → 48"
	HSF-5448MG	HatchSafe®	48" → 54"	30" → 48"
	HSF-4866MG	HatchSafe®	30" → 48"	48" → 66"
	HSF-5466MG	HatchSafe®	48" → 54"	48" → 66"
	HSF-4884MG	HatchSafe®	30" → 48"	66" → 84"
	HSF-5484MG	HatchSafe®	48" → 54"	66" → 84"
	Custom	HatchSafe®	Consult Factory	

Custom Dimensions:

Dimension A (In Inches)

Dimension B (In Inches)

Notes:

DRAWINGS FOR APPROVAL

If "NO" Approval Drawings are requested, the Name of the person "Declining" approval drawings must be shown below.

Yes
 No

Name

Date