

# ANGLE IRON LADDER SAFETY GATE ADAPTER BRACKETS



## Installation Instructions



**Models:**

All LSG Models

FINISH OPTIONS	
SST	Stainless Steel
PCY	Powder Coat Safety Yellow
GAL	Hot Dipped Galvanized

**Table of Contents:**

Parts List..... 1  
Product Installation..... 2

## Contact Information

**Mail**

PS Safety Access  
1150 South 48th Street  
Grand Forks, ND 58201

**Local Phone**

701.746.4519

**Toll Free Phone**

877.446.1519

**Website**

psafetyaccess.com

**Email**

4psinfo@psindustries.com

**Hours of Operation**

8 A.M. to 5 P.M. CT  
Monday – Friday

**NOTICE** This product is designed to work with the Ladder Safety Gate for various mounting applications. Once adapter brackets are installed refer to the Ladder Safety Gate O&M manual for proper installation of the Ladder Safety Gate. Failure to do so may result in product failure.

## Parts List

**I. Angle Iron Ladder Safety Gate Adapter Bracket Parts**

LSG-AC2-2206GAL and LSG-AC2-2206PCY

The LSG;Angle Clamp Front and Back are the only parts different between the GAL and PCY Kit Gate Sizes: 15-36

ITEM #	PART #	DESCRIPTION	QTY
1	500924 500926	LSG;ANGLE CLAMP BACK-GAL LSG;ANGLE CLAMP BACK-PCY	2
2	500928 500930	LSG;ANGLE CLAMP FRONT-GAL LSG;ANGLE CLAMP FRONT-PCY	2
3	501484	SCREW;FLSLOTMACH 3/8-16X1 ZN	2
4	501085	NUT;FLANGE 3/8"16ZN-CASE HARD	2
5	500418	BOLT;HEX5/16"-18X1-1/2GR5ZN	8
6	501126	NUT;NYLOCK 5/16"18 ZN	8
7*	500392	BOLT;HEX3/8"16X1 1/2GR5ZN	4
8*	501120	NUT;NYLOCK 3/8"16 ZN	4

LSG-AC2-2206SST

ITEM #	PART #	DESCRIPTION	QTY
1	500927	LSG;ANGLE CLAMP BACK-SST	2
2	500931	LSG;ANGLE CLAMP FRONT-SST	2
3	501086	NUT;FLANGE 3/8"16, 316SS	2
4	502153	SCREW;FLTSLOTMACH3/8"16X1SST	2
5	500419	BOLT;HEX5/16"18X1-1/2SS	8
6	501121	NUT;NYLOCK 5/16"-18, 316SS	8
7*	500394	BOLT;HEX3/8"16X1-1/2SS	4
8*	501119	NUT;NYLOCK 3/8"16 316SS	4

\*These items are used for angles greater than 2 1/2", they replace the 5/16" nuts and bolts.

\*\*Quantities for Large Gates (LSG-AC3-2206XXX) will include a total of three(3) Angle connections (drawing shows two) and corresponding quantities of bolts, and nuts. Gate Sizes: 40-48

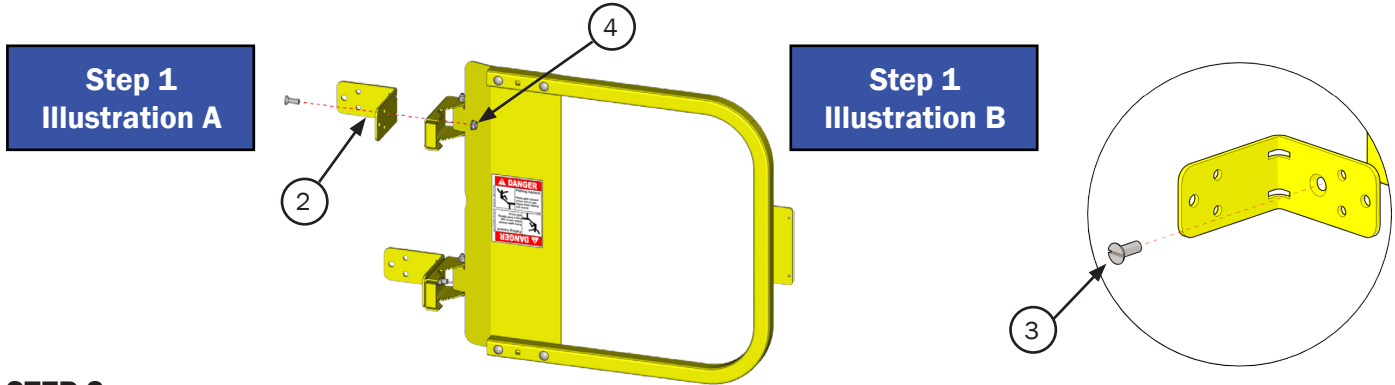


# Angle Iron Installation

## II. Installation of Angle Iron Ladder Safety Gate Adapter Bracket

### STEP 1.

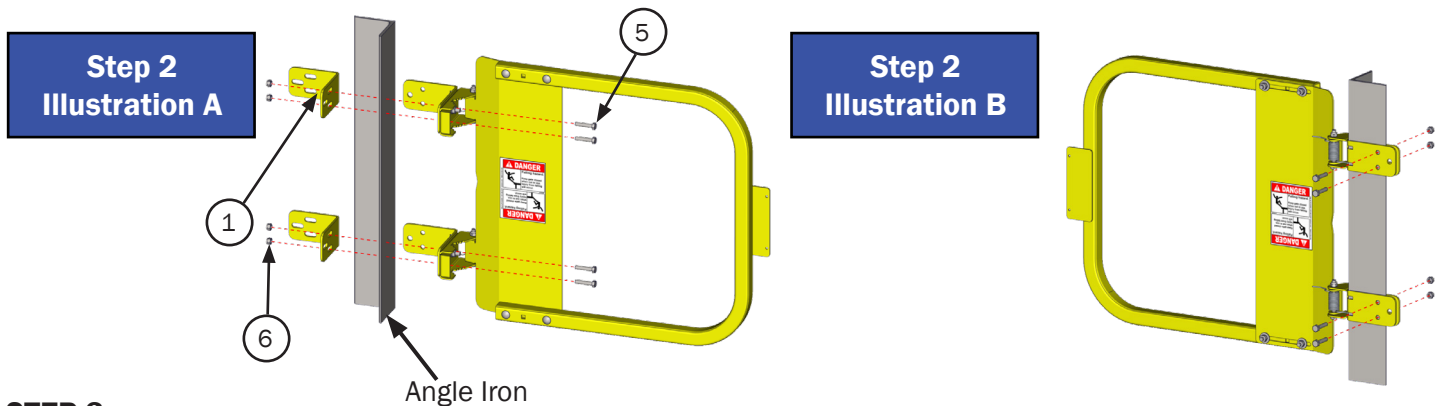
Attach angle iron adapter front bracket plate to the Ladder Safety Gate mounting bracket with provided 3/8" machine screws and 3/8" flange nuts.



### STEP 2.

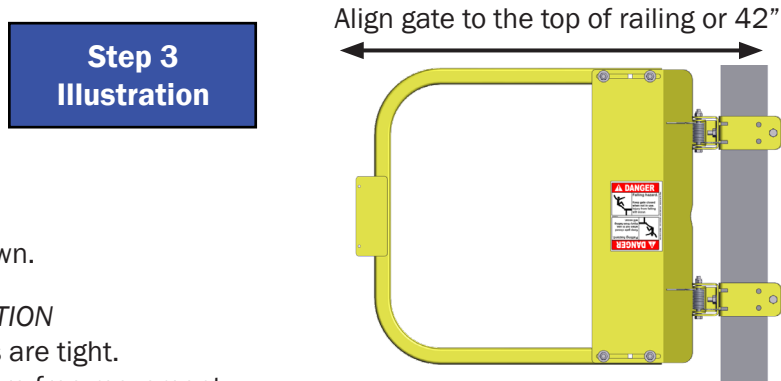
Loosely mount the Ladder Safety Gate to the angle iron (Provided By Others, NOT PS Safety Access) with provided 5/16" bolts and 5/16" nylock nuts. (3/8" bolts and 3/8" nylock nuts provided for angles greater than 2 1/2")

*\*Do not tighten, additional adjustment may be required.*



### STEP 3.

Adjust top of Ladder Safety Gate to align with top of existing railing.  
Tighten all bolts.



**NOTICE** Rest of gate not shown.

**CRITICAL VERIFY INSTALLATION**

1. Ensure all bolts/nuts are tight.
2. Operate gate to ensure free movement.

**STEP 4.** Refer to Ladder Safety Gate Operations and Maintenance Manual for remainder of installation.