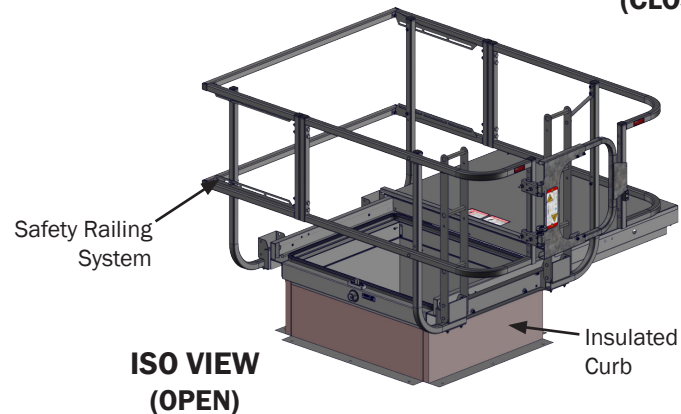
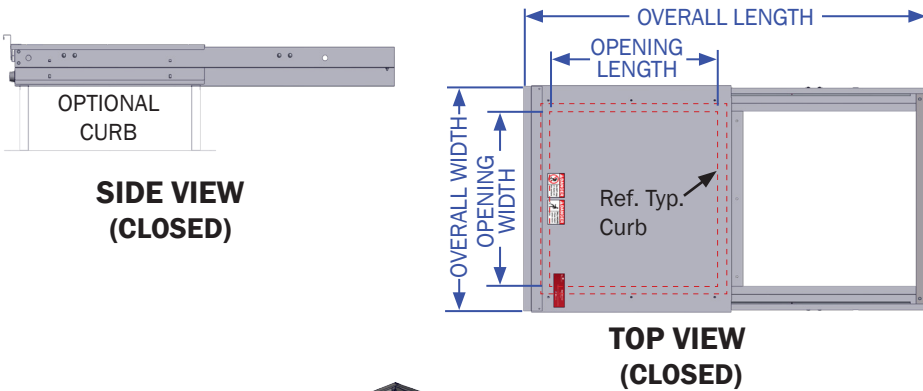
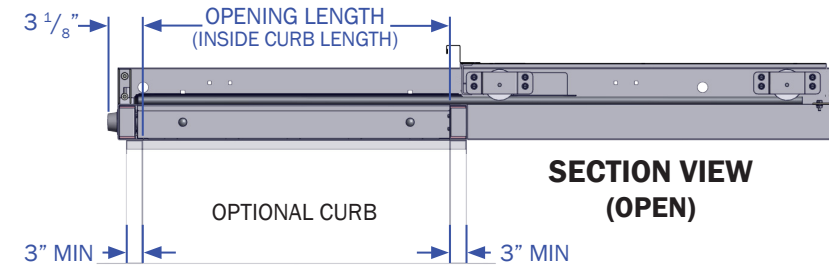


SLIDEWISE MEASURING GUIDE & ORDER FORM



1150 S. 48TH STREET, GRAND FORKS, ND 58201
Phone: 701.746.4519 | **Toll Free:** 877.446.1519
Website: psaccessolutions.com
Email: 4psinfo@psindustries.com



QUOTATION REQUESTED

SLIDEWISE ORDER

SOLD/QUOTE TO:

NAME: _____

COMPANY: _____

ADDRESS: _____

CITY, STATE, ZIP: _____

PHONE: _____ FAX: _____

EMAIL: _____

SHIP TO:

NAME: _____ DATE: _____

ADDRESS: _____ P.O.#: _____

CITY, STATE, ZIP: _____ TAG: _____

PHONE: _____ SHIP VIA: _____

HATCH MODEL/SIZE	HATCH MODEL/SIZE					QTY	
	MODEL	OVERALL WIDTH	OVERALL LENGTH	OPENING WIDTH	OPENING LENGTH		WEIGHT
	SRH-3030M	40 5/8"	72 1/8"	30"	30"	231 lbs	
	SRH-3630M	46 5/8"	72 1/8"	36"	30"	249 lbs	
	SRH-3636M	46 5/8"	84 1/8"	36"	36"	274 lbs	
	SRH-4848M	58 5/8"	108 1/8"	48"	48"	367 lbs	
	SRH-9630M	106 5/8"	72 1/8"	96"	30"	460 lbs	
	CUSTOM						

Note: Minimum curb thickness is 3".

-Put quantity in white table cells.

DEADBOLT:	AVAILABLE OPTIONS:
<input type="checkbox"/> KEYED/ KEYED	<input type="checkbox"/> INSULATED CURB
<input type="checkbox"/> KEYED/ THUMB-TURN	<input type="checkbox"/> SAFETY RAILING SYSTEM

FINISH OPTION	
PCG	Powder Coat Gray