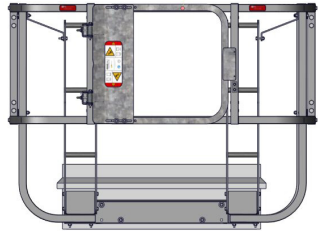


# HATCHSAFE MEASURING GUIDE & ORDER FORM

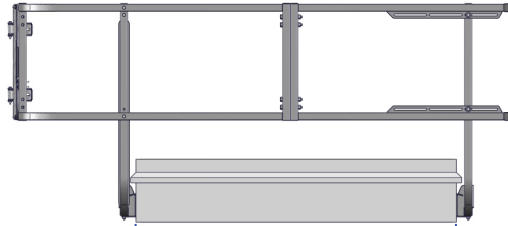


1150 S. 48<sup>TH</sup> STREET, GRAND FORKS, ND 58201  
**Phone:** 701.746.4519 | **Toll Free:** 877.446.1519  
**Website:** psaccesssolutions.com  
**Email:** 4psinfo@psindustries.com



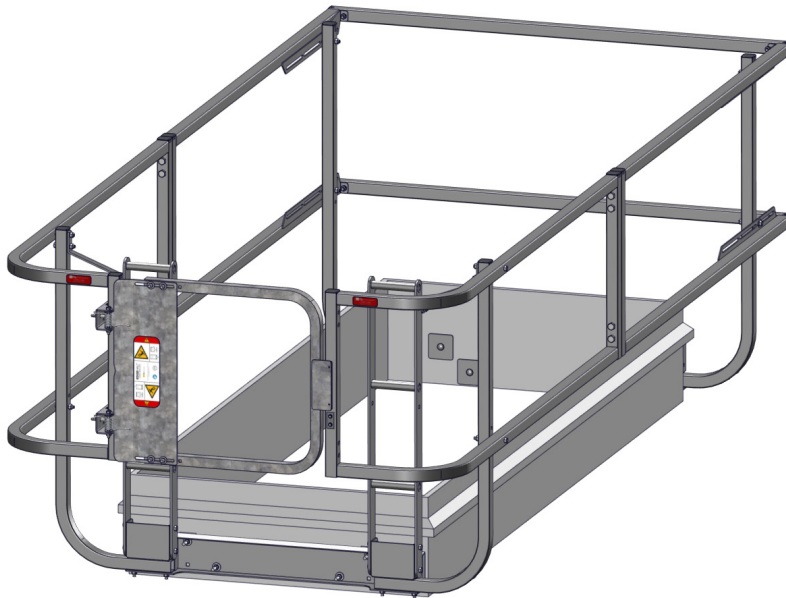
← CURB WIDTH →  
(DIM "A")

**FRONT VIEW**



← CURB LENGTH →  
(DIM "B")

**SIDE VIEW**



**ISO VIEW**

QUOTATION REQUESTED

HATCHSAFE ORDER

**SOLD/QUOTE TO:**

NAME:

COMPANY:

ADDRESS:

CITY, STATE, ZIP:

PHONE:

FAX:

EMAIL:

**SHIP TO:**

NAME:

DATE:

ADDRESS:

P.O.#:

CITY, STATE, ZIP:

TAG:

PHONE:

SHIP VIA:

MODEL #	FITS CURB RANGES:		QTY
	CURB WIDTH (DIM "A")	CURB LENGTH (DIM "B")	
HSF-4848MG	30" TO 48"	30" TO 48"	
HSF-6048MG	48" TO 60"	30" TO 48"	
HSF-4866MG	30" TO 48"	48" TO 66"	
HSF-6066MG	48" TO 60"	48" TO 66"	
HSF-4884MG	30" TO 48"	66" TO 84"	
HSF-6084MG	48" TO 60"	66" TO 84"	
HSF-48102MG	30" TO 48"	84" TO 102"	
HSF-60102MG	48" TO 60"	84" TO 102"	
CUSTOM SIZE (FILL IN DIMS)			

**APPROVAL DRAWINGS:**

*(If "NO" approval drawings are requested, the Name of the person "Declining" approval drawings and signature must be included.)*

YES

NO

NAME:

SIGNATURE: