

# Slidewise™ Roof Hatch

## Installation Instructions/Operation and Maintenance Manual



MODELS	
Slidewise Roof Hatch	Safety Railing System
SRH-3030A	SRS-30M
SRH-3630A	SRS-36M
SRH-3636A	SRS-36M

### Table of Contents

Product Information .....	2
Replacement Parts List .....	3
Installation Instructions .....	4
Inspection & Maintenance .....	7
Operation .....	8
Warranty Information .....	8

### PS DOORS Contact Information

<b>Mail</b> PS DOORS Attn: PS Access Solutions 1150 South 48th Street Grand Forks, ND 58201	<b>Local Phone</b> 701.746.4519  <b>Toll Free Phone</b> 877.446.1519	<b>Website</b> psdoors.com  <b>Email</b> 4psinfo@psdoors.com	<b>Hours of Operation</b> 8 A.M. to 5 P.M. CT Monday – Friday
---	--	--	---

**IMPORTANT!** Read entire Instruction and Operations Manual to become familiar with the product.

**NOTICE** This product is a commercial product. The effectiveness of the product is directly related to the proper installation and operation of this product. Failure to properly maintain this product **will** affect performance.

### Publication Notice

This manual has been compiled and published covering the latest product descriptions and specifications.

PS DOORS reserves the right to make changes without notice in the specifications and materials contained herein and shall not be responsible for any damages (including consequential) caused by reliance on the materials presented, including but not limited to typographical and other errors relating to the publication.

PS DOORS and/or its respective suppliers may make improvements and/or changes in the product(s)/service(s) offered at any time without notice.

Retain this manual for future reference.

If you would like to download an 8.5"x11" copy of this manual, please go to [psdoors.com/slidewise](http://psdoors.com/slidewise). Slidewise installation video available at [psdoors.com/slidewise](http://psdoors.com/slidewise).

## Slidewise Roof Hatch Product Information

### I. General Information

- A. This manual contains information regarding installation, operation, and maintenance of the PS DOORS Slidewise Roof Hatch.
- B. PS DOORS recommends that the owner implement a regular maintenance program to inspect the Slidewise as necessary.

**NOTICE** This product is manufactured to specific guidelines. Unauthorized alteration in any way will result in voiding the Factory Warranty, and may cause product to fail with potential serious consequences. Accordingly, if the product requires service after unauthorized modification, you can expect any request for warranty repair to be charged to you. Authorized modifications, received in writing from PS DOORS, as long as the modification is accomplished strictly in accordance with PS DOORS' instructions, does not void warranty. To request product modifications, contact PS DOORS.

### II. Storage Prior To Installation of Product

- A. Store materials in a dry, ventilated location. If outdoor storage is required, block materials and tarp in a tent-like arrangement, elevated above the product with open sides to allow airflow.

### III. Installation Site Preparation

- A. Clear work area of any debris.
- B. Ensure the necessary tools are available.

#### Recommended Tools:

1. One (1) Drill
2. One (1) 3/16" Allen Bit
3. One (1) 1/2" Wrench
4. Two (2) 9/16" Wrenches (used for optional Safety Railing System install)

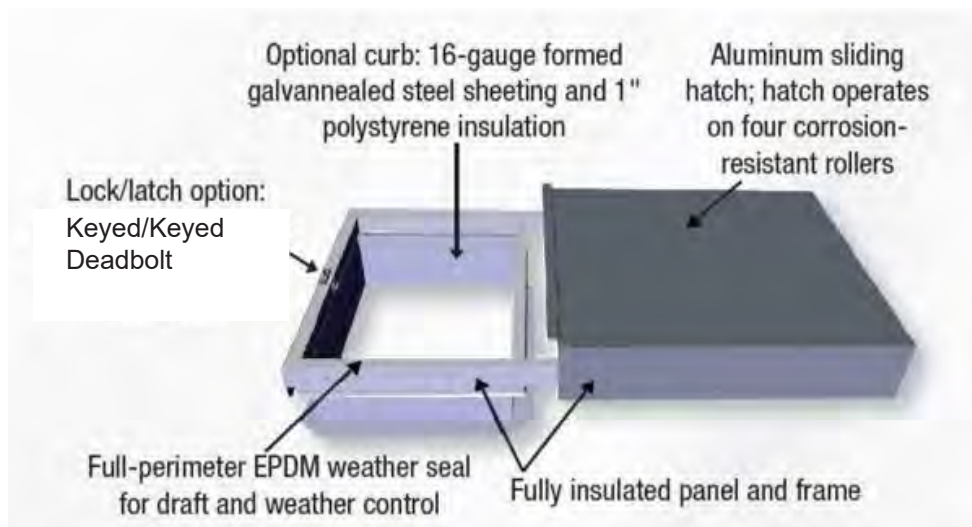
#### Recommended Supplies (optional, not included):

1. Eight (8) Fasteners
2. Caulk

### IV. Installation Safety Precautions

- A. Comply with all OSHA Safety Regulations and/or company safety policies when installing.

**▲ DANGER** Installer/owner are responsible for verifying that the fastening surface is structurally capable of supporting all potential static and dynamic loadings from the assembly. Fastening hardware is not necessarily a guarantee of structural adequacy, since other structural limiting factors may be present that are not the responsibility of PS DOORS. Additional fastening hardware, and/or alternate fastening locations may be more suitable for some installations.



## Parts List

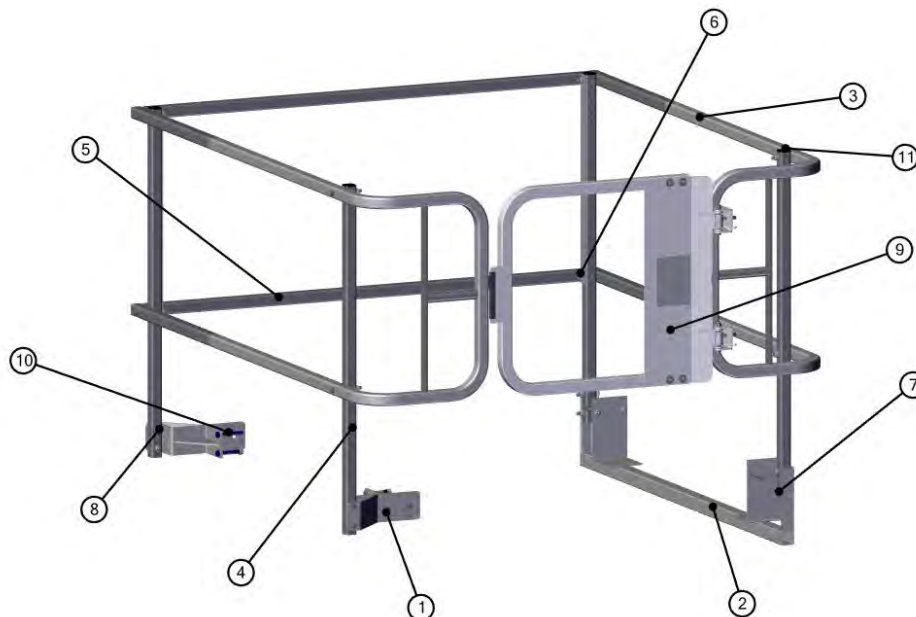
### V. Parts List

#### Slidewise Roof Hatch Replacement Parts List

PART NUMBER	DESCRIPTION
512963	ANTI-LIFT BLOCK KIT
512962	GROOVED ROLLER KIT
512961	FLAT ROLLER KIT
512858	LOCK; DEADBOLT DOUBLE CYLINDER
512723	PANEL GASKET 1.0 x .875 D, 15'
502001	FRAME GASKET .375 x .25 D, 4'

#### Optional Safety Railing System Parts List

ITEM NO.	PART NO.	DESCRIPTION	QTY
1	512975	CORNER MOUNT BRACKET 30	2
1	512977	CORNER MOUNT BRACKET 36	2
2	512971	TRACK MOUNT BRACKET 30	1
2	512973	TRACK MOUNT BRACKET 36	1
3	512967	SIDE RAIL	2
4	512969	VERTICAL POST	4
5	512965	REAR CROSS RAIL	1
6	502933	BOLT; HEX 3/8" -16 x 3-1/4"	14
7	501120	NUT; NYLOCK 3/8" - 16	26
8	500405	BOLT; HEX 3/8" - 16 x 2-1/4"	8
9	LSG-24-GAL	SAFETY GATE GALVANIZED 24	1
10	500406	BOLT; HEX 3/8" - 16 x 2-3/4"	4
11	508144	CAP; SQUARE BLK 1-1/4 OD	8



## Installing the Slidewise Roof Hatch

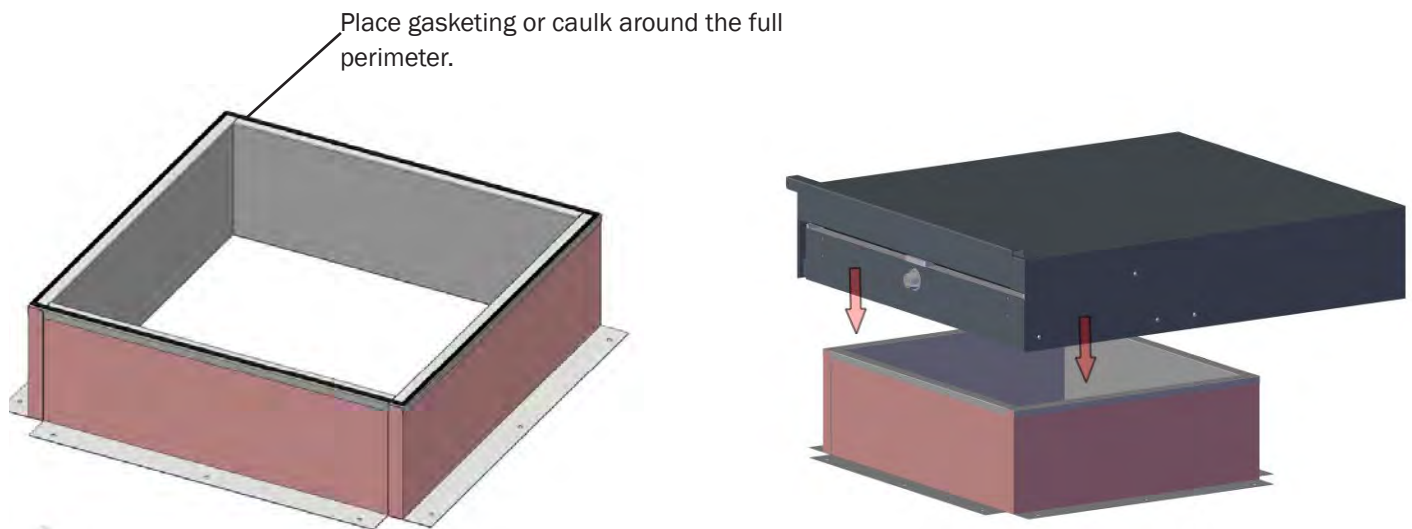
### VI. Installation of Slidewise Roof Hatch

- A. The Slidewise Roof Hatch ships fully assembled. If retrofitting hatch to existing curbing, installation to curb is required. See installation instructions (fasteners not included).
- B. Optional Safety Railing System requires installation to Slidewise Roof Hatch. See page 5.

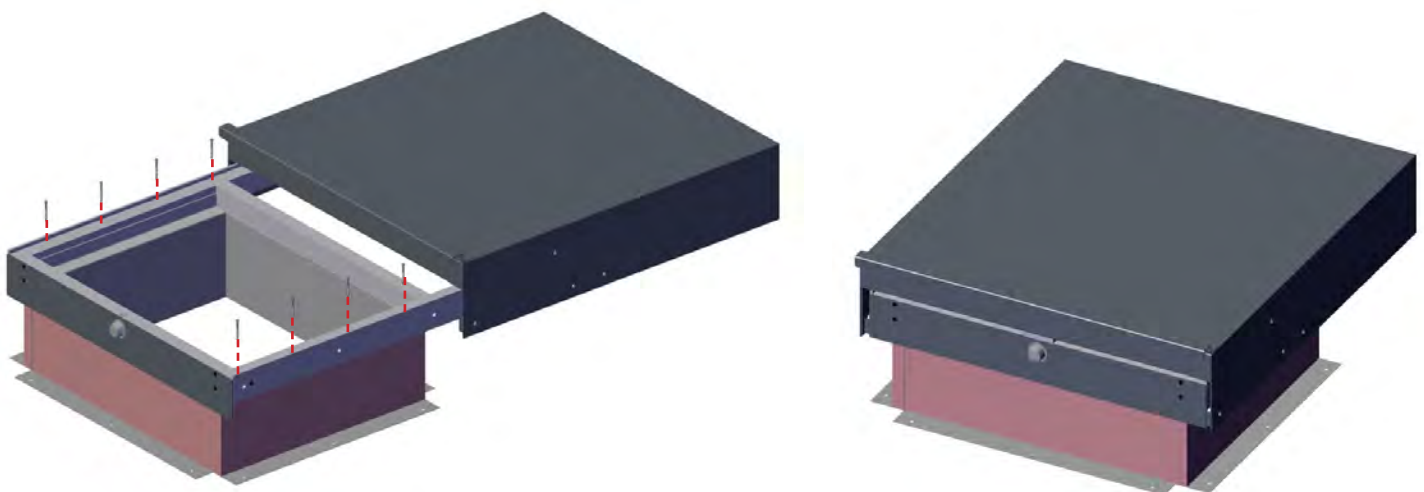
**STEP 1.** If retrofitting hatch to existing curb, remove existing hatch and test Slidewise roof hatch fit to your curb to ensure proper fit.

**STEP 2.** Apply provided gasketing around the perimeter of the top of the curb. Caulking may be used as an alternative sealant (1/4" bead placed around perimeter of the curb).

**STEP 3.** Place hatch assembly squarely on level curb. Ensure weathertight seal is continuous between hatch frame and curb. Apply additional caulk as necessary. (Panel not shown in rendering).



**STEP 4.** Open hatch panel and fasten in place through provided holes (fasteners not included). Maintain downward pressure on frame to counterbalance hatch cover while fastening. Ensure frame is adequately fastened to support all field loads. If installing the optional OSHA Compliant Railing System, continue to steps 5-7.



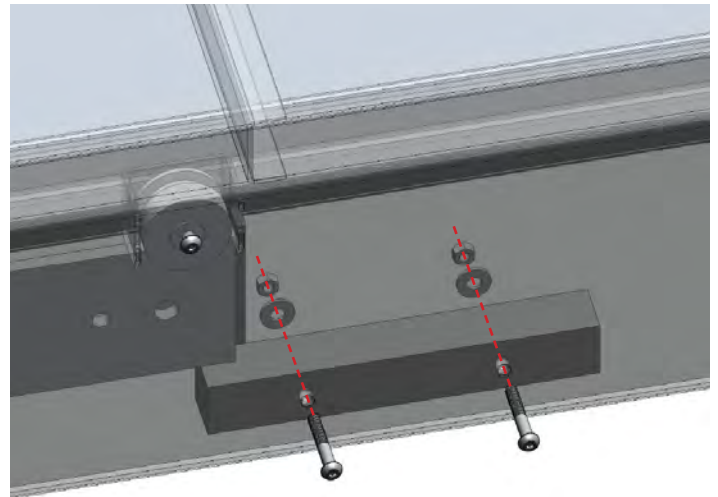
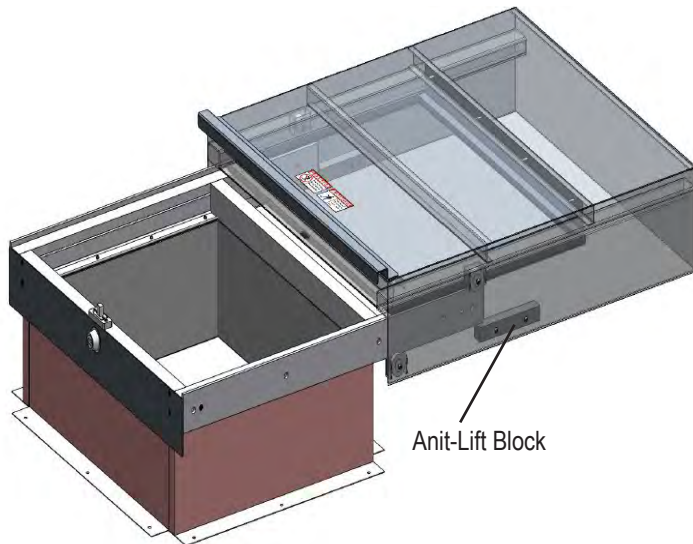
Fasteners not included. (Must be provided at time of install).

Installed Slidewise Roof Hatch

## Installing the Safety Railing System

### VII. Installation of optional Safety Railing System

**STEP 5.** Slide hatch to fully extended position. Remove anti-lift blocks from each side of the hatch cover. (Nut and washer found on the interior of the hatch).

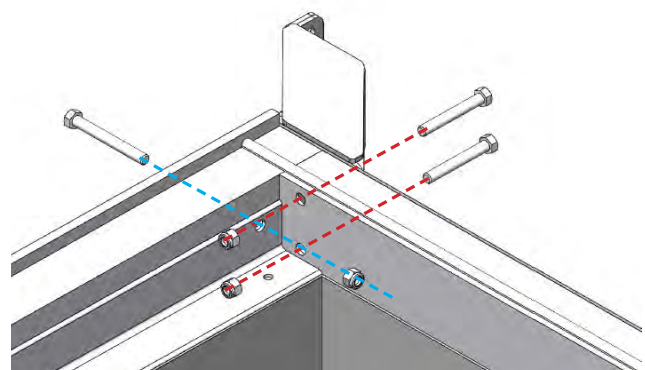
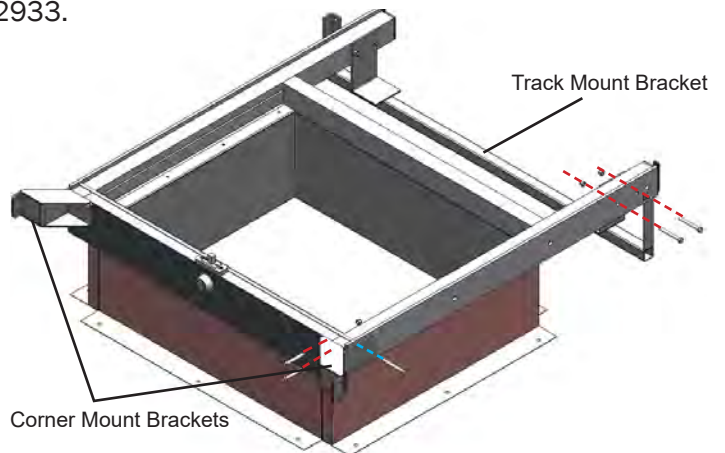
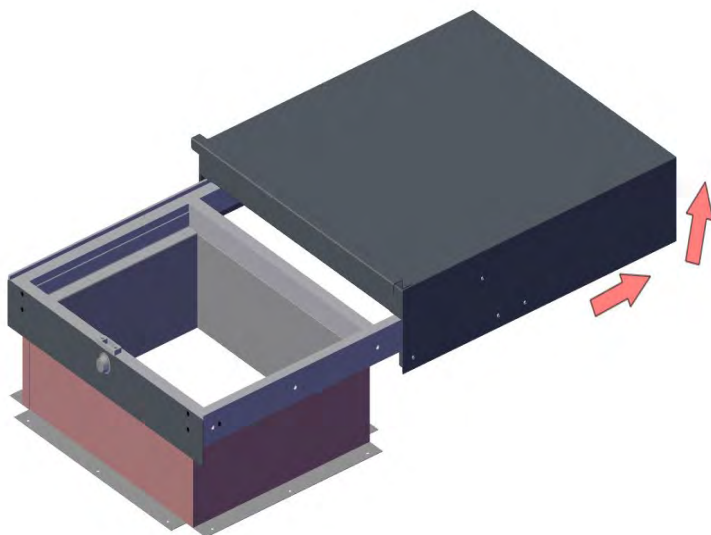


Anit-Lift Block Interior Detail

**STEP 6.** Remove the hatch cover by slowly sliding the hatch back and lifting the rear. Continue sliding and lifting until the hatch fully removes from the track.

**STEP 7.** Bolt Corner Mount Brackets in place using part #502933 and #500406.

**STEP 8.** Bolt Track Mount Bracket in place using part #502933.



Corner Mount Bracket Detail

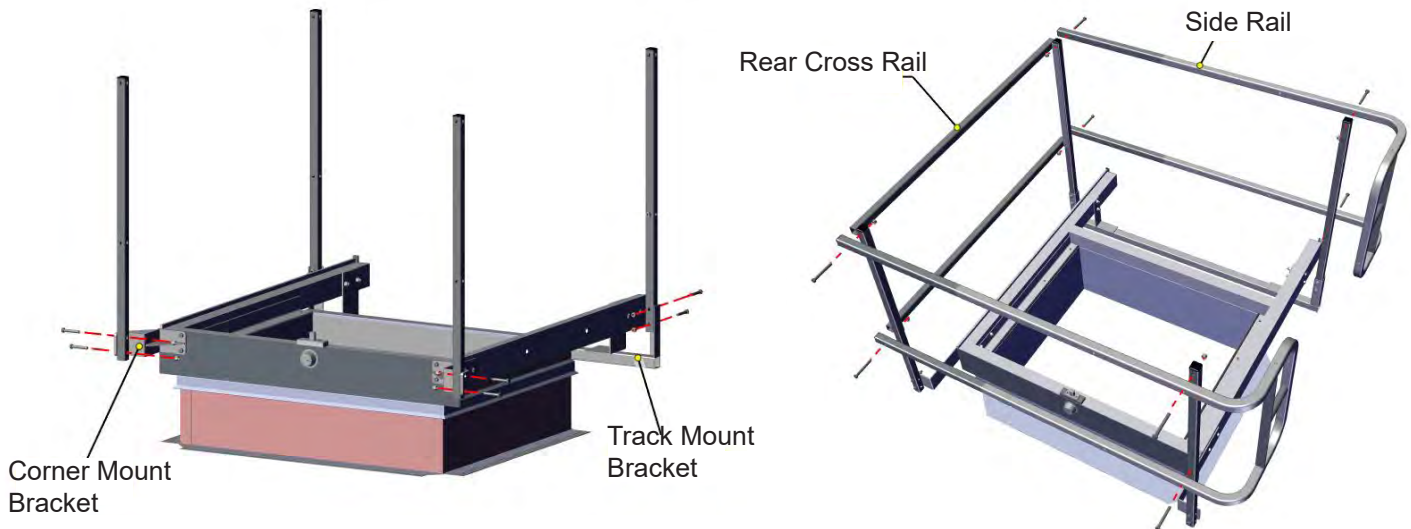
## Installing optional Safety Railing System

### VI. Installation of optional Safety Railing System continued

**STEP 9.** Bolt Vertical Posts to Mounting Brackets using part #500405.

**STEP 10.** Bolt Side Rails to Vertical Posts using part #502933. Bolt Rear Cross Rail in place using part #502933.

**NOTICE:** Safety Railing System orientation can be rotated to allow for side or front exist from hatch opening.

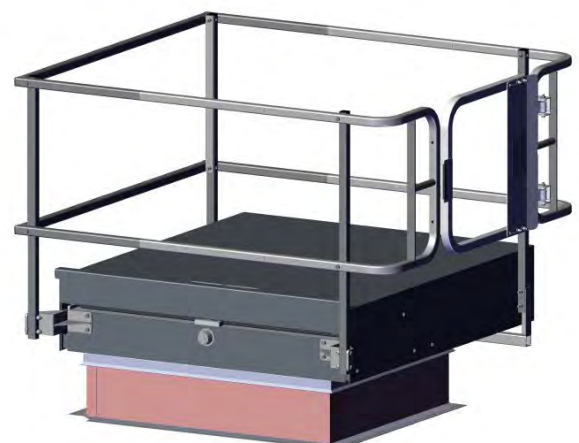


**STEP 11.** Install Safety Gate on Side Rail opening. See the Ladder Safety Gate installation manual for additional details.

**STEP 12.** Slide hatch panel back on track and attach anti-lift blocks to each side of the hatch cover.



Reference included Ladder Safety Gate installation instructions for details.



Installed Safety Railing System

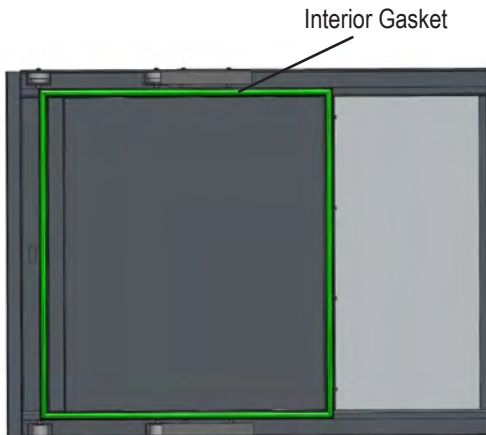
## Replacing Gasket

### VII. Replacing Gasket

**STEP 13.** Remove anti-lift blocks and hatch cover (see steps 5&6).

**STEP 14.** Replace gasketing on the interior of the hatch as shown.

**STEP 15.** Slide hatch panel back on track and attach anti-lift blocks to each side of the hatch cover.



## Inspection & Maintenance

### VIII. Inspection and Maintenance

- A. Extension Track Frame
  - 1. Inspect items for damage and misalignment.
- B. Hatch Panel
  - 1. Inspect Slidewise panel for corrosion or damage.
  - 2. Repair or replace as necessary.
- C. Rollers
  - 1. Inspect rollers for damage.
  - 2. Hatch should operate smoothly on rollers.
  - 3. Replace damaged rollers or bearings.
- D. Fasteners and mechanical connections:
  - 1. All fasteners must be in place and adjusted to their original design standard.
  - 2. Replace any damaged fasteners.
- E. Weather seals
  - 1. Inspect full EPDM perimeter bulb seal.
  - 2. Repair or replace damaged EPDM bulb seal.
- F. Lock/Latch:
  - 1. Close hatch panel and check latch for proper engagement, adjust as necessary.
- G. Finishes
  - 1. Inspect and clean finishes periodically.

## Operation of the Slidewise Roof Hatch

**NOTICE** Operation in a manner other than intended could result in damage or less than acceptable performance, for which the manufacturer will not be held responsible.

### IX. Operation

#### A. Slidewise Roof Hatch

1. Operate the latching to the locked or unlocked position.
2. To open or close the Slidewise, utilize the handle provided and physically slide the panel to the open or closed position.

## PS DOORS - Limited Warranty

### X.Warranty

#### Limited Warranty

PS DOORS warrants this product and components to be free from defects in material and workmanship for a period of ten (10) years from date of shipment. If within the term of this warranty, if Slidewise Roof Hatch or components are found to be defective upon inspection by an authorized PS DOORS representative, PS DOORS will replace or repair, at PS DOORS' discretion, any part found to be defective. Any field labor charges incurred are the sole responsibility of the customer. To make a claim under this warranty, contact PS DOORS at the address shown below.

PS DOORS	Toll Free: 877.446.1519
Attention: Warranty	Phone: 701.746.4519
1150 South 48th Street	E-mail: 4psinfo@psdoors.com
Grand Forks, ND 58201	

Unauthorized modification of or to this product voids the PS DOORS' Limited Warranty. Accordingly, if the product requires service after unauthorized modification, you can expect any request for warranty repair to be charged to you. Authorized modifications, received in writing from PS DOORS, as long as the modification is accomplished in strict accordance with PS DOORS' instructions, does not void warranty. To request product modifications contact PS DOORS at the address above.

PS DOORS SHALL NOT BE LIABLE FOR ANY CONSEQUENTIAL OR INCIDENTAL DAMAGES.

All other warranty's, express or implied including any warranty of merchantability, are expressly excluded. Some states do not allow exclusion or limitation of consequential or incidental damages, so the above limitation or exclusion may not apply to you.

WARRANTY DOES NOT APPLY TO ANY DAMAGE OR DETERIORATION CAUSED BY MODIFICATION, ABUSE, APPLIED PAINT FAILURE OR FAILURE TO PROVIDE REASONABLE AND NECESSARY MAINTENANCE. WARRANTY EXCLUDES GASKET, PRODUCT DECALS, INSULATION AND LOCKING MECHANISMS. This warranty gives you specific legal rights, and you may also have other rights, which vary, from state to state, or by country.