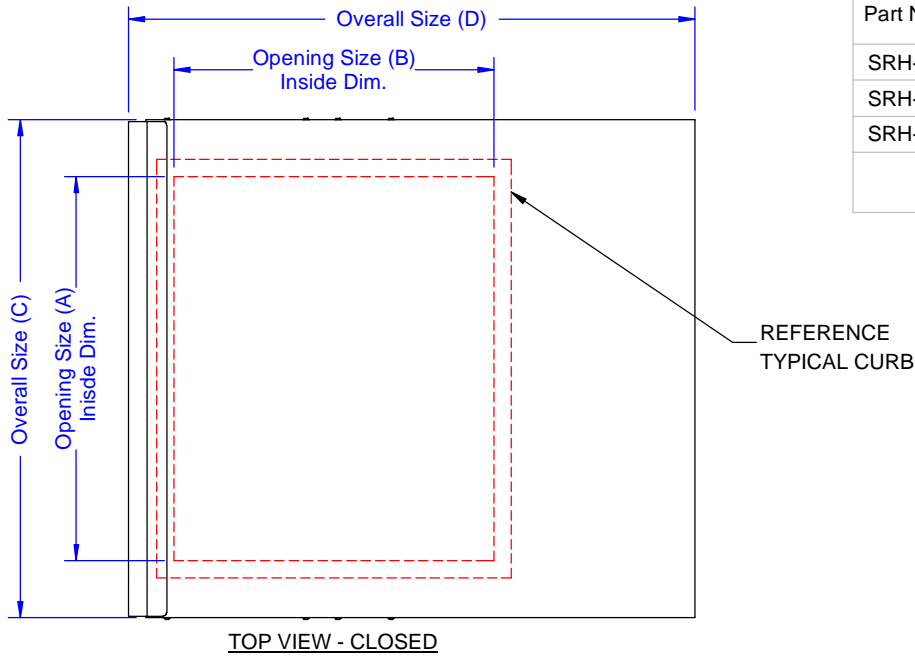


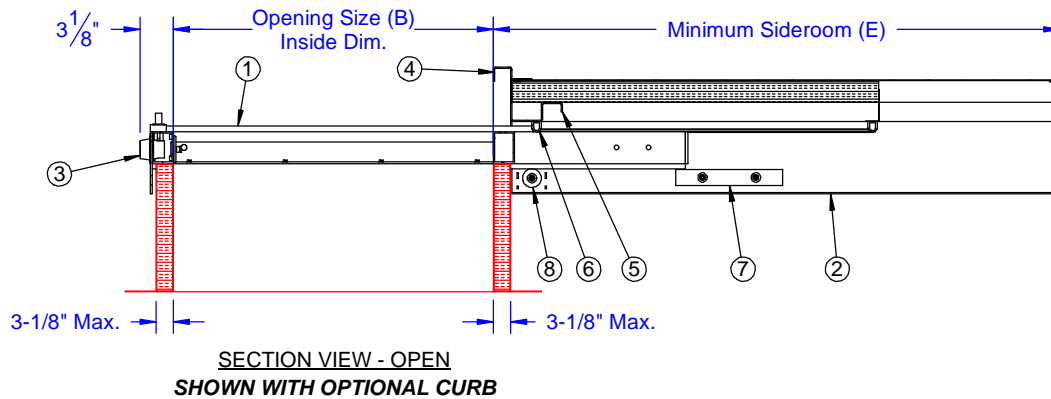
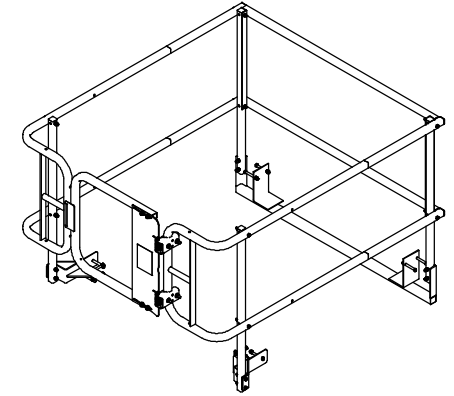
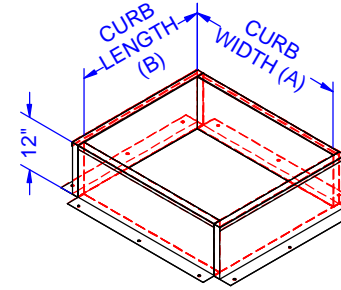
Slidewise Roof Hatch Measuring Guide

Part Number	Opening Size (A) Inside Dim.	Opening Size (B) Inside Dim.	Overall Size (C)	Overall Size (D)	Minimum Sideroom (E)	Weight
SRH-3030A	30"	30"	41"	54"	54"	114 LBS
SRH-3630A	36"	30"	47"	54"	54"	120 LBS
SRH-3636A	36"	36"	47"	60"	60"	131 LBS

Note: Curb must extend a minimum of 3" above roof surface.
Maximum curb thickness is 3-1/8"



OPTIONS:



SPECIFICATIONS

1. INSULATED ALUMINUM FRAME ASSEMBLY
2. INSULATED ALUMINUM PANEL ASSEMBLY
3. GRADE 1 DEADBOLT, SFIC
4. EXTERNAL PULL HANDLE, FULL WIDTH
5. INTERNAL PULL HANDLE, FULL WIDTH
6. EPDM WEATHER SEAL, FULL PERIMETER
7. WIND ANTI-LIFT BLOCKS
8. CORROSION RESISTANT ROLLER ASSEMBLY

SLIDEWISE ROOF HATCH

PART NUMBER	QTY
SRH-3030A	—
SRH-3630A	—
SRH-3636A	—

DEADBOLT

- KEYED x KEYED KEYED x THUMBTURN

OPTIONS

- INSULATED CURB SAFETY RAILING SYSTEM

PROPRIETARY AND CONFIDENTIAL
DRAWINGS ARE EXCLUSIVE PROPERTY OF
PRODUCTION SPECIALTIES CORPORATION, dba
PS DOORS AND CANNOT BE USED IN WHOLE OR
PART WITHOUT WRITTEN CONSENT ©
PS DOORS ALL RIGHTS RESERVED

CUSTOMER:

CUSTOMER PO #:

JOB:



1150 S 48th St.
GRAND FORKS, ND 58201
PH. 701-746-4519
WWW.PSDOORS.COM

Rev. Date 091216