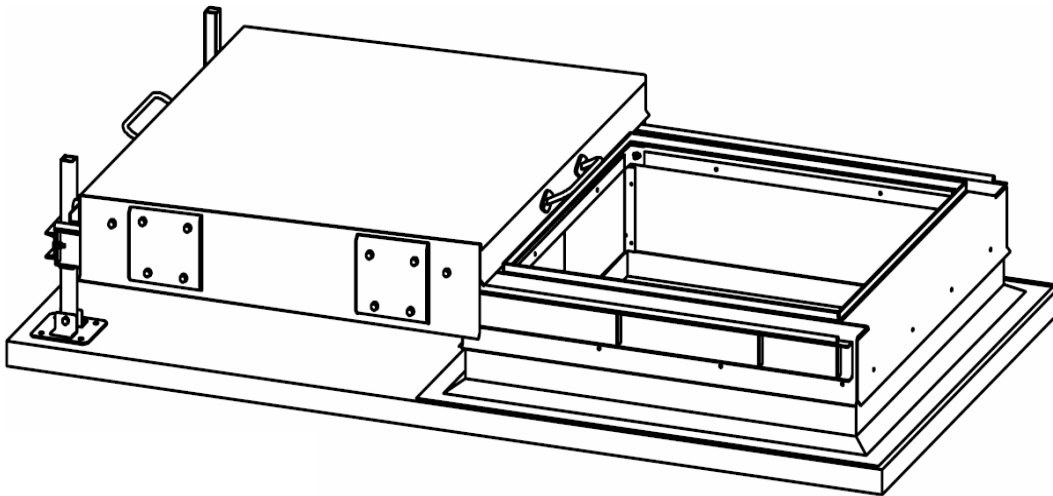
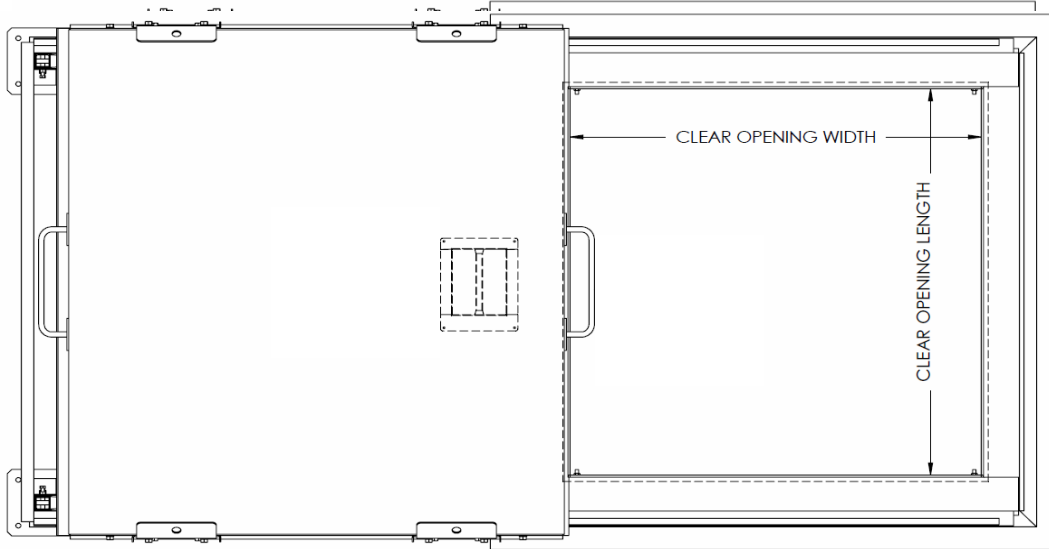


# ROOF HATCH MEASURING GUIDE & ORDER FORM



1150 S. 48TH STREET, GRAND FORKS, ND 58201  
 PHONE: 701.746.4519 | TOLL FREE: 877.446.1519  
 FAX: 701.746.8340 | WWW.PSINDUSTRIES.COM



QUOTATION REQUESTED     ROOF HATCH ORDER

**SOLD/QUOTE TO:**

Name:	
Company:	
Address:	
City, State, Zip:	
Phone:	Fax:
E-Mail:	

**SHIP TO:**

Name:	Date:
Address:	P.O. #:
City, State, Zip:	TAG:
Phone:	SHIP VIA:

Location:

**Models:**

RH-XXX (Custom)      Quantity:

**Dimensions:**

Clear Opening Width:   
 Clear Opening Height:   
 Curb Thickness\*\*:

(All Measurements in Inches)

\*\* If no curb is currently in place, contact factory to have curb manufactured.

Standard Curb (6")     Custom

Will ROOF HATCH be installed on a pitched / angled roof?

Yes  
 No

(If yes, consult factory)

**CUSTOM DRAWINGS FOR APPROVAL**

*If "NO" Approval Drawings are requested, the Name of the person "Declining" approval drawings must be shown below.*

Yes     No     Name     Date