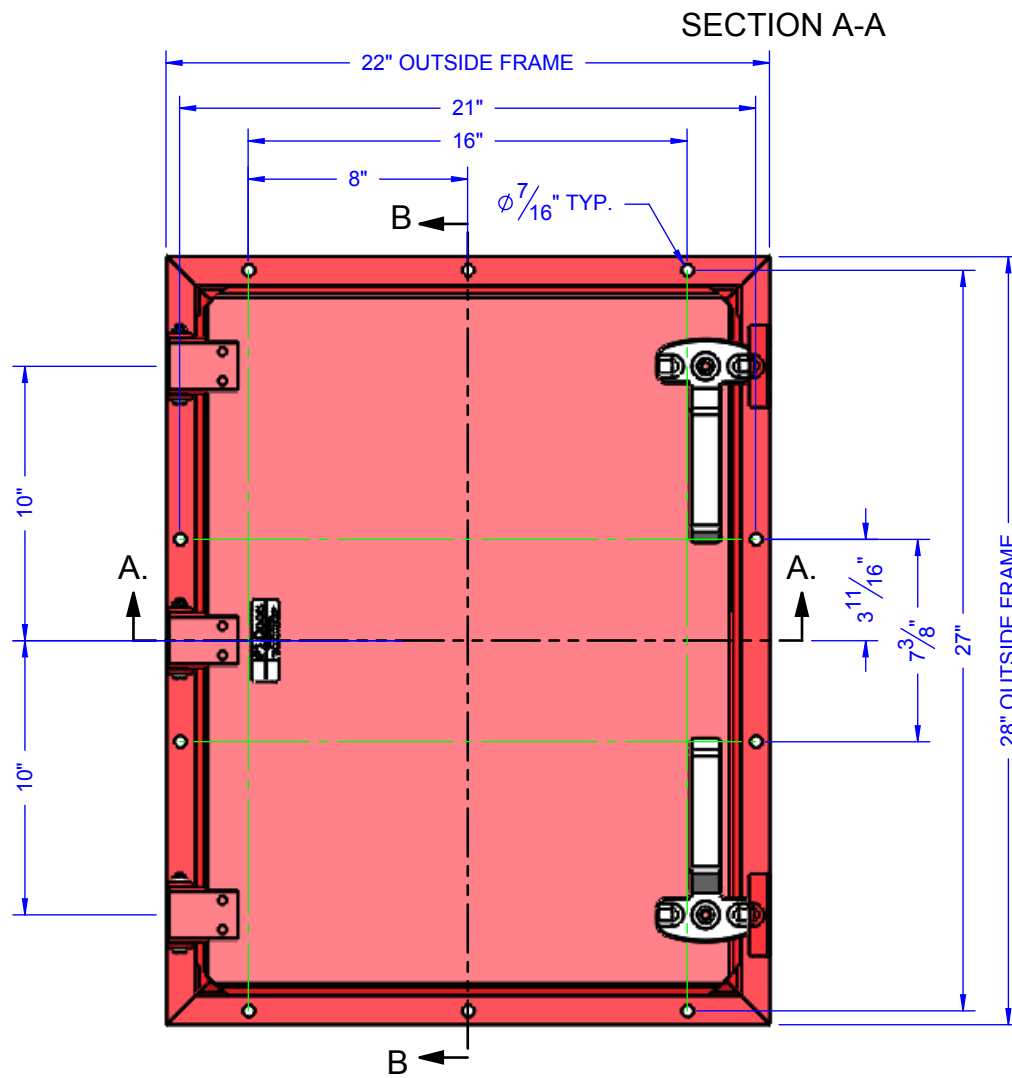
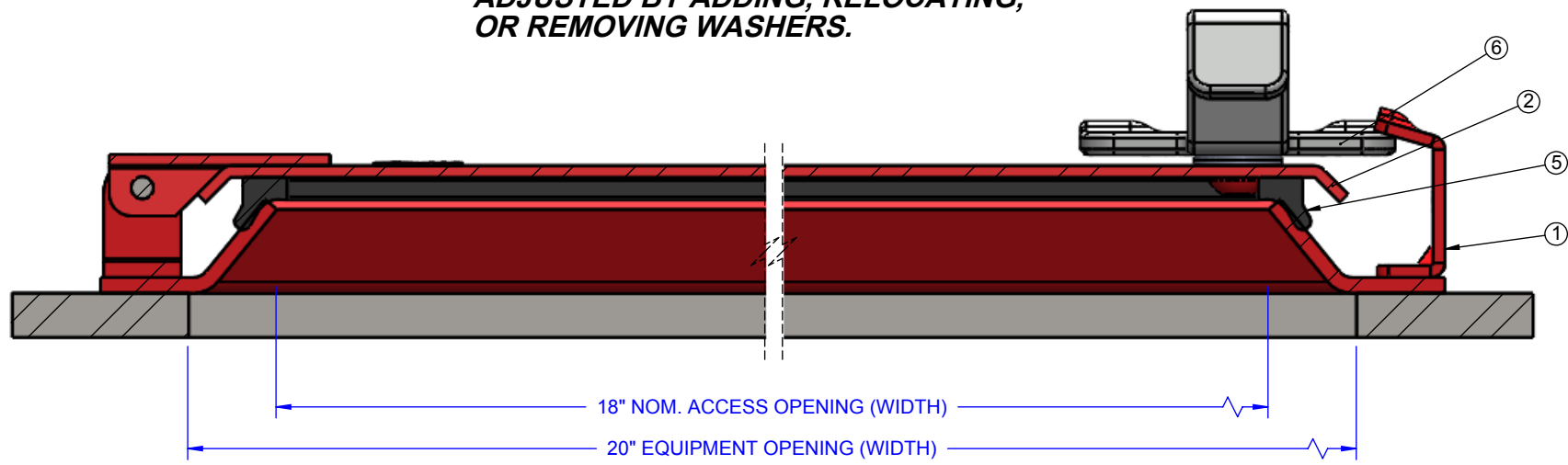
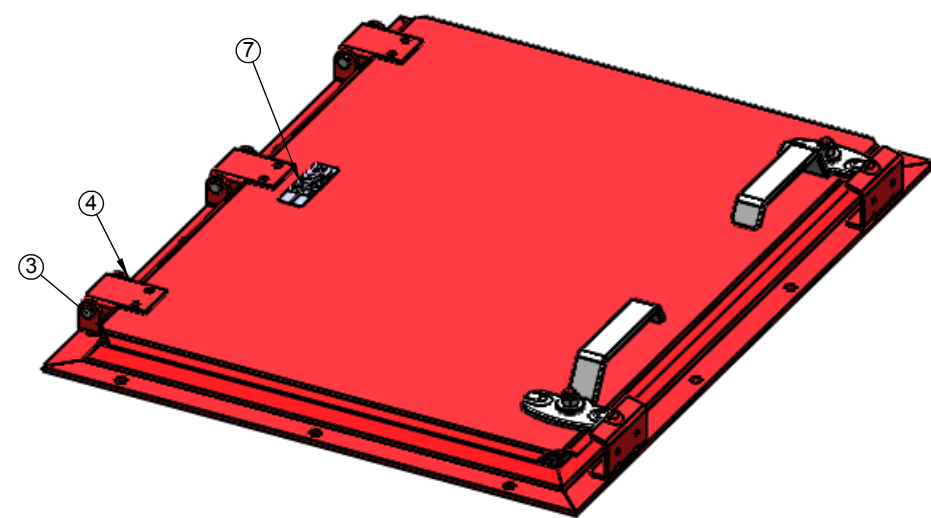


**LATCHING FORCE OF HANDLE CAN BE ADJUSTED BY ADDING, RELOCATING, OR REMOVING WASHERS.**



ITEM NO.	PART NO.	DESCRIPTION	QTY
1	FRMWLD-WM182407	FRAME WELDMENT;18X24-MS	1
2	CVR WLD-SM182410Q	COVER WELDMENT;18X24-MS	1
3	511677	BOLT;HEX1/4"20X2-3/4 SS	3
4	511679	NUT;REVLOCK,1/4" 20 SS	3
5	502012;WSM1824S	SEAL-EPDM (-50° TO 205° F)	1
6	510092	ACH;DETENT HANDLE ASSY-MS	2
7	500582	NAMEPLATE; PS DOORS, ALUM	1



**MATERIAL:**  
MILD STEEL (STANDARD)

**FINISH:**  
PS DOORS STANDARD POWDER COAT GRAY

**SEAL TYPE:**  
STANDARD - EPDM (-50° TO 205° F)

**MILD STEEL MATERIAL:** (UNLESS OTHERWISE NOTED)  
-COVER: 10 GA. ASTM-A-569  
-FRAME: 7 GA. ASTM-A-569  
-HARDWARE: ASTM-A-569

**FINISH:** (UNLESS OTHERWISE NOTED)  
-COVER, FRAME, AND HARDWARE TO BE SHERWIN WILLIAMS POWDER COAT GRAY  
-FASTENERS: ZINC PLATED  
-LATCH HANDLE(S): ZINC PLATED

ESTIMATED PART/ASSY WEIGHT: 45.64 LBS.

FINISH: Standard Polyester Powder Coat  
Sherwin Williams 49 Gray

REV.	REVISIONS	DATE	REVISED BY

DOOR/OPENING NAME: <b>ACHWSM18240710SQ5 C+</b>	SN: <b>TBD</b>	SALES ORDER #: TBD	QTY: TBD
PRODUCT: ACCESS HATCH;MILD 18X24	DWG STATUS: <b>APPROVED FOR CONSTRUCTION</b>	DATE:	SCALE: NTS
CUSTOMER: TBD	DWG #: GEN-ACHWSM18240710SQ5		
CUST PO #: TBD	DWG BY: bsmette	CHECKED: /	
SALES ORDER NAME: TBD			



1150 48th St. S  
GRAND FORKS, ND 58201  
PH. 701-746-4519  
FAX 701-746-8340

SHEET # 1 OF 1 REV: C+