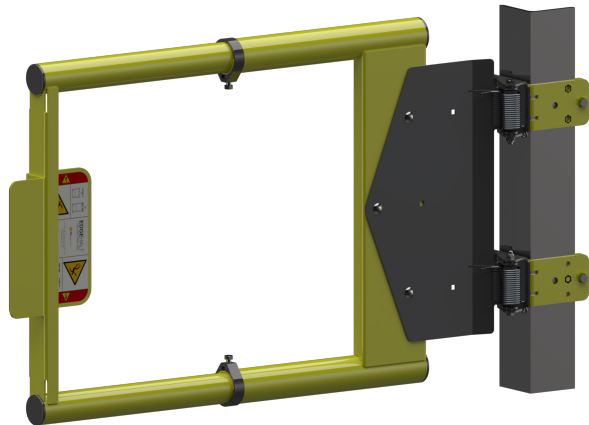


EDGEHALT®

ANGLE IRON ADAPTER BRACKET

Installation Instructions



Models:

All LSG Models
All ASG Models

FINISH OPTIONS	
SST	Stainless Steel
PCY	Powder Coat Safety Yellow
GAL	Hot Dipped Galvanized

Table of Contents:

Parts List..... 1
Product Installation..... 2

Contact Information

Mail
PS Safety Access
1150 South 48th Street
Grand Forks, ND 58201

Local Phone
701.746.4519

Toll Free Phone
877.446.1519

Website
pssafetyaccess.com

Email
4psinfo@psindustries.com

Hours of Operation
8 A.M. to 5 P.M. CT
Monday – Friday

NOTICE This product is designed to work with the EdgeHalt® LSG and ASG for various mounting applications. Once adapter brackets are installed refer to the Ladder Safety Gate or Adjustable Safety Gate O&M manual for proper installation of the Safety Gate. Failure to do so may result in product failure.

Parts List

I. EdgeHalt® Safety Gate Adapter Bracket Parts

LSG-AC2-2206GAL and LSG-AC2-2206PCY
The LSG;Angle Clamp Front and Back are the only parts different between the GAL and PCY Kit Gate Sizes: 15-36

ITEM #	PART #	DESCRIPTION	QTY
1	500924 500926	LSG;ANGLE CLAMP BACK-GAL LSG;ANGLE CLAMP BACK-PCY	2
2	500928 500930	LSG;ANGLE CLAMP FRONT-GAL LSG;ANGLE CLAMP FRONT-PCY	2
3	501484	SCREW;FLSLOTMACH 3/8-16X1 ZN	2
4	501085	NUT;FLANGE 3/8"16ZN-CASE HARD	2
5	500418	BOLT;HEX5/16"-18X1-1/2GR5ZN	8
6	501126	NUT;NYLOCK 5/16"18 ZN	8
7*	500392	BOLT;HEX3/8"16X1 1/2GR5ZN	4
8*	501120	NUT;NYLOCK 3/8"16 ZN	4

LSG-AC2-2206SST

ITEM #	PART #	DESCRIPTION	QTY
1	500927	LSG;ANGLE CLAMP BACK-SST	2
2	500931	LSG;ANGLE CLAMP FRONT-SST	2
3	501086	NUT;FLANGE 3/8"16, 316SS	2
4	502153	SCREW;FLTSLOTMACH3/8"16X1SST	2
5	500419	BOLT;HEX5/16"18X1-1/2SS	8
6	501121	NUT;NYLOCK 5/16"-18, 316SS	8
7*	500394	BOLT;HEX3/8"16X1-1/2SS	4
8*	501119	NUT;NYLOCK 3/8"16 316SS	4

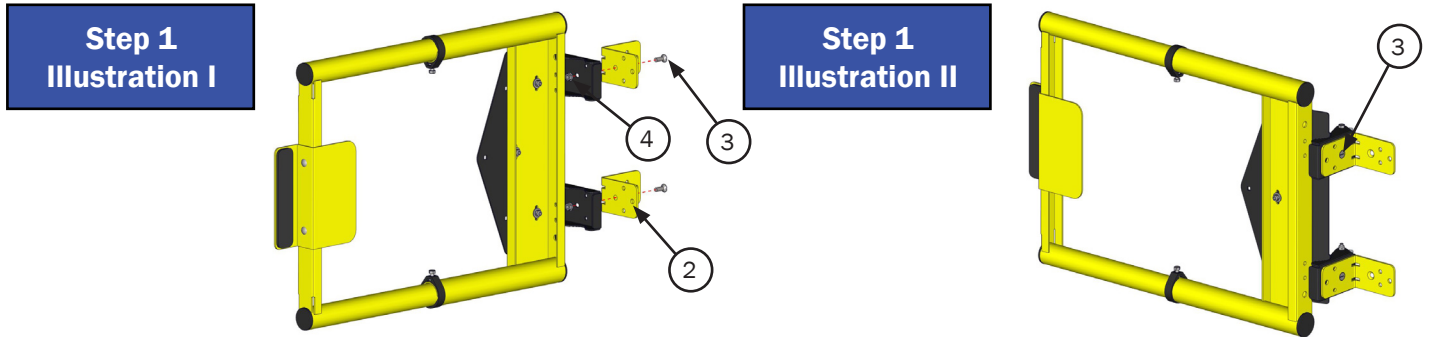
*These items are used for angles greater than 2 1/2", they replace the 5/16" nuts and bolts.
**Quantities for Large Gates (LSG-AC3-2206XXX) will include a total of three(3) Angle connections (drawing shows two) and corresponding quantities of bolts, and nuts. Gate Sizes: 40-48



Angle Iron Installation

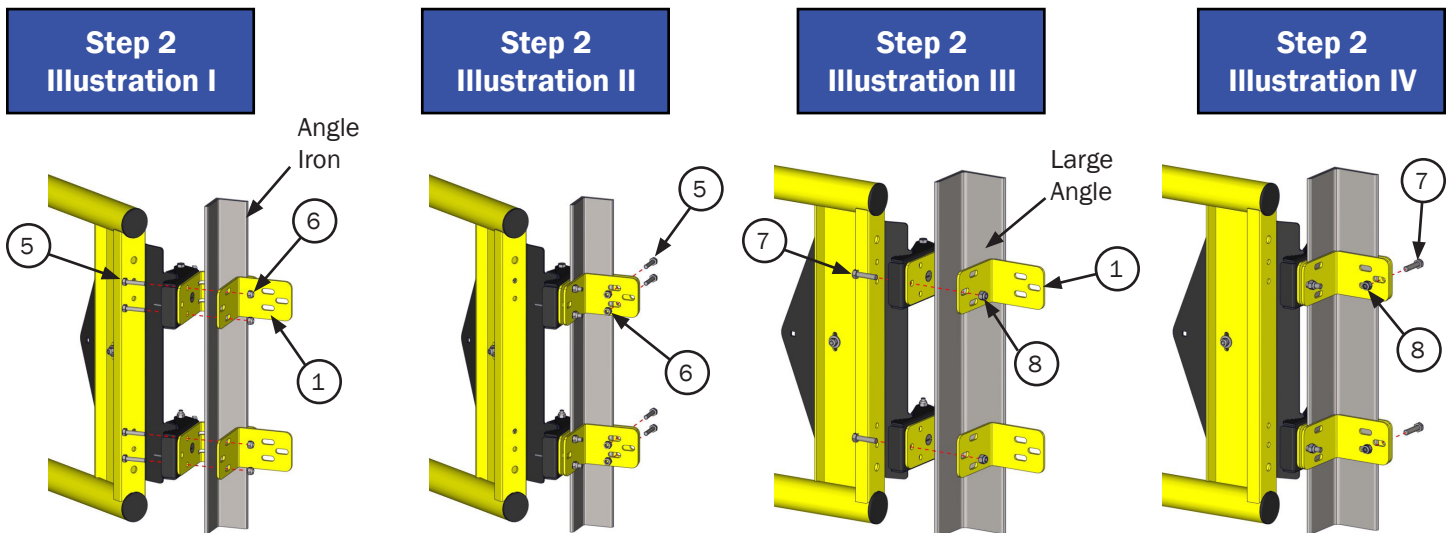
II. Installation of EdgeHalt® Safety Gate Angle Iron Adapter Bracket

STEP 1. Attach Angle Clamp Front Brackets to the safety gate mounting bracket with provided $\frac{3}{8}$ " machine screws and flange nuts.



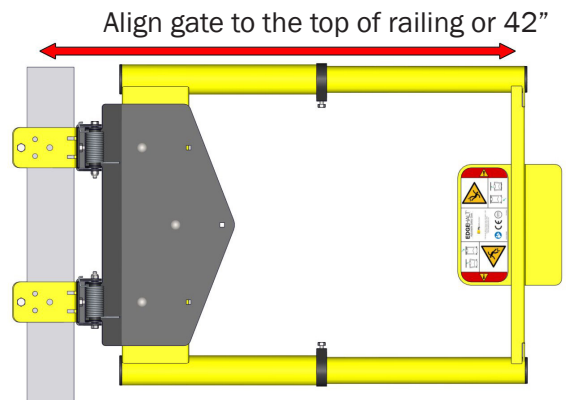
STEP 2. Loosely mount the Safety Gate to the angle iron (provided by the Installer).
 a. Attach the Angle Clamp Back Brackets using supplied $\frac{5}{16}$ " bolts and nylock nuts.
 b. For angles greater than $2\frac{1}{2}$ " : use supplied $\frac{3}{8}$ " bolts and nylock nuts (refer to Illustrations III and IV).

CRITICAL Do not tighten, additional adjustment may be required.



STEP 3. Adjust top of Safety Gate to align with top of railing.
 a. Tighten the mounting bolts in final position.

**Step 3
Illustration I**



NOTICE Rest of Gate not shown.

CRITICAL VERIFY INSTALLATION

1. Ensure all bolts/nuts are tight.
2. Operate gate to ensure free movement.

▲ WARNING Tighten all fasteners to a minimum torque of 10 ft*lbs unless otherwise specified.

STEP 4. Refer to EdgeHalt® Ladder Safety Gate or Adjustable Safety Gate Operations and Maintenance Manual for remainder of installation.