

FLAT BAR LADDER SAFETY GATE ADAPTER BRACKETS



Installation Instructions



Models:

All LSG Models

FINISH OPTIONS	
SST	Stainless Steel
PCY	Powder Coat Safety Yellow
GAL	Hot Dipped Galvanized

Table of Contents:

Parts List..... 1
 Product Installation..... 2

Contact Information

Mail

PS Safety Access
 1150 South 48th Street
 Grand Forks, ND 58201

Local Phone

701.746.4519

Toll Free Phone

877.446.1519

Website

psafetyaccess.com

Email

4psinfo@psindustries.com

Hours of Operation

8 A.M. to 5 P.M. CT
 Monday – Friday

NOTICE This product is designed to work with the Ladder Safety Gate for various mounting applications. Once adapter brackets are installed refer to the Ladder Safety Gate O&M manual for proper installation of the Ladder Safety Gate. Failure to do so may result in product failure.

Parts List

I. Flat Bar Ladder Safety Gate Adapter Bracket Parts

LSG-FB2-2205GAL and LSG-FB2-2205PCY

The LSG;Flat Bar Front and Back are the only parts different between the GAL and PCY Kit Gate Sizes: 15-36

ITEM #	PART #	DESCRIPTION	QTY
1	500933	LSG;FLAT BAR ADAPT-BACK-GAL	2
	500935	LSG;FLAT BAR ADAPT-BACK-PCY	
2	500937	LSG;FLAT BAR ADAPT-FRONT-GAL	2
	500939	LSG;FLAT BAR ADAPT-FRONT-PCY	
3	501484	SCREW;FLSLOTMACH 3/8-16X1 ZN	2
4	500392	BOLT;HEX3/8"16X1 1/2GR5ZN	6
5	501120	NUT;NYLOCK 3/8"16 ZN	6
6	501085	NUT;FLANGE 3/8"16ZN-CASE HARD	2

LSG-FB2-2205SST

ITEM #	PART #	DESCRIPTION	QTY
1	500936	LSG;FLAT BAR ADAPT-BACK-SST	2
2	500940	LSG;FLAT BAR ADAPT-FRONT-SST	2
3	502153	SCREW;FLSLOTMACH3/8"16X1SST	2
4	500394	BOLT;HEX3/8"16X1-1/2SS	6
5	501119	NUT;NYLOCK 3/8"16 316SS	6
6	501086	NUT;FLANGE 3/8"16, 316SS	2

*Quantities for Large Gates (LSG-FB3-2205XXX) will include a total of three(3) Flat Bar connections (drawing shows two) and corresponding quantities of bolts, and nuts. Gate Sizes: 40-48



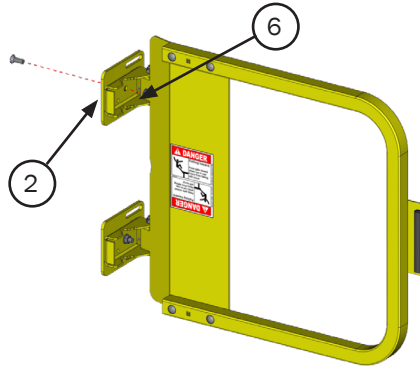
Large Pipe Installation

II. Installation of Flat Bar Ladder Safety Gate Adapter Bracket

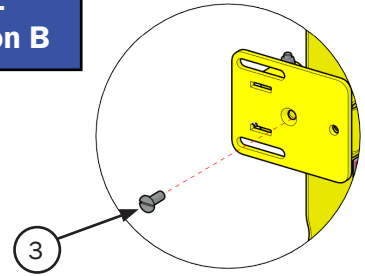
STEP 1.

Attach flat bar adapter front bracket plate to the Ladder Safety Gate mounting bracket with provided 3/8" machine screws and 3/8" flange nuts.

**Step 1
Illustration A**



**Step 1
Illustration B**

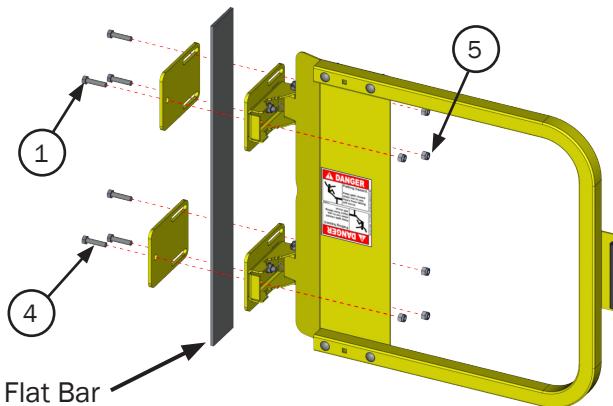


STEP 2.

Loosely mount the Ladder Safety Gate to the flat bar (Provided By Others, NOT PS Safety Access) with provided 3/8" bolts and 3/8" nylock nuts.

**Do not tighten, additional adjustment may be required.*

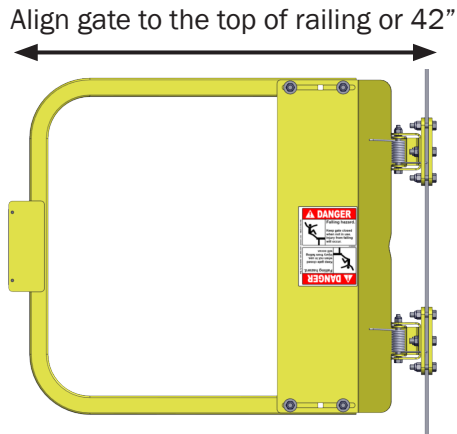
**Step 2
Illustration**



STEP 3.

Adjust top of Ladder Safety Gate to align with top of existing railing.
Tighten all bolts.

**Step 2
Illustration**



NOTICE Rest of gate not shown.

CRITICAL VERIFY INSTALLATION

1. Ensure all bolts/nuts are tight.
2. Operate gate to ensure free movement.

STEP 4. Refer to Ladder Safety Gate Operations and Maintenance Manual for remainder of installation.